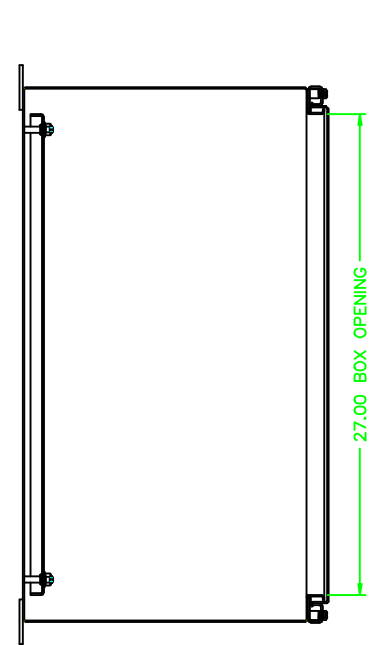
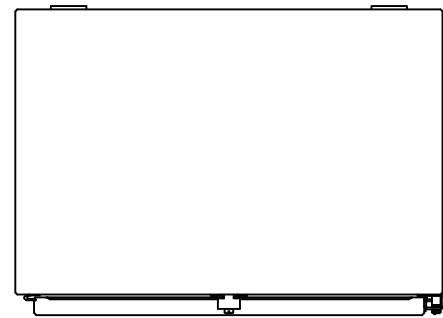


302416

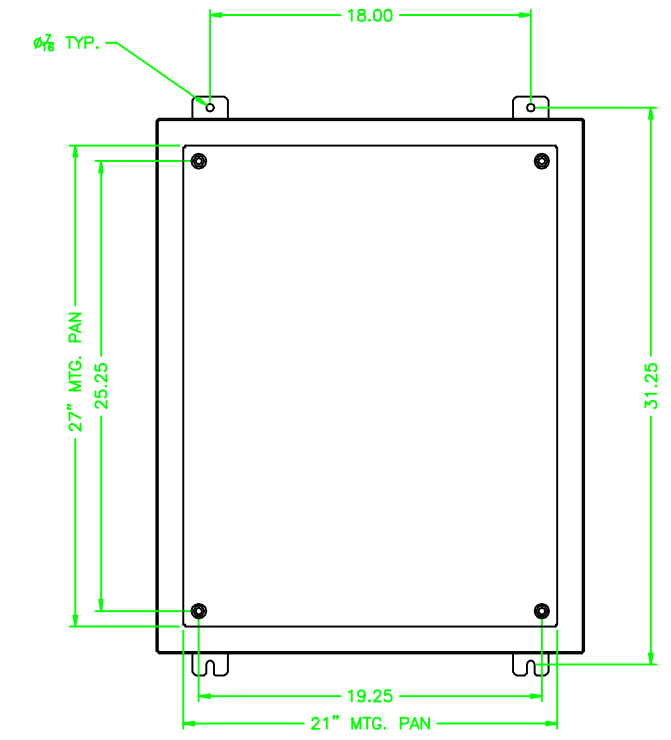
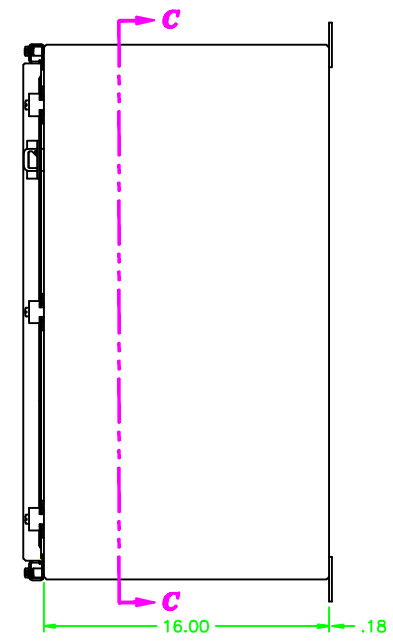
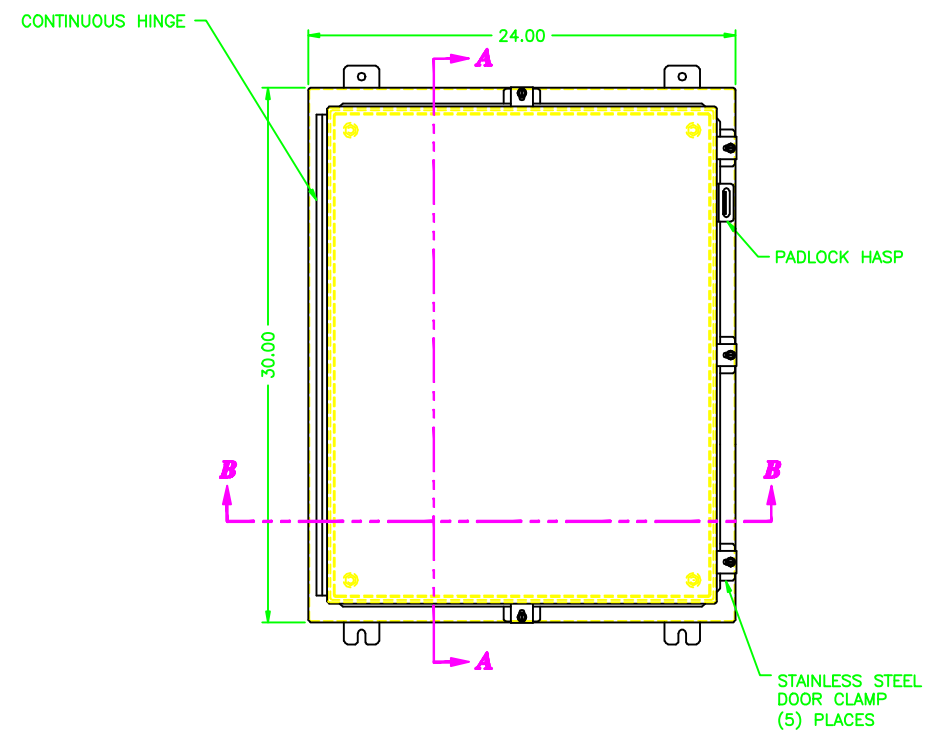
REV	REVISION	BY	RCN	DATE
A	INITIAL RELEASE	CLB		8/15/03

# UNCONTROLLED DRAWING

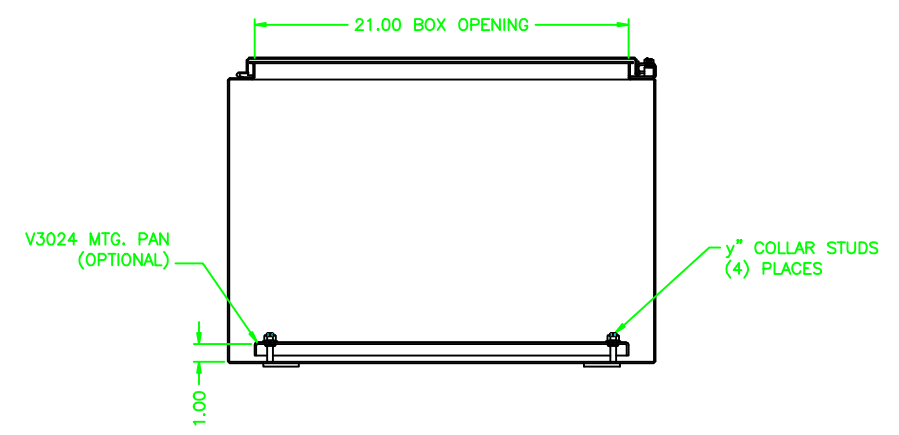
(DATA SUBJECT TO CHANGE WITHOUT NOTICE)  
 FOR ADDITIONAL HELP CONTACT ENGINEERING@ADALET.com



**SECTION A-A**



**SECTION C-C**



**SECTION B-B**

ENCLOSURE MATERIAL	CATALOG NUMBER	PART NUMBER
88316L	N4X8-302416	M10278
88304	N4X-302416	M10183

<small>DO NOT SCALE DRAWING</small> <small>UNLESS OTHERWISE SPECIFIED DIMENSIONS ARE IN INCHES.</small> <small>SHEET METAL TOLERANCES NOT OTHERWISE SPECIFIED:</small> FINN ± 1/16" JOX ± .02" JOX ± .010" ANGLES ± 0°-30" INSIDE BEND RADIUS = .040" NOM. WARPAGE = 1/16" PER FOOT ALL WELD SIZES ARE MIN.		<b>ADALET</b> <small>A SCOTT FEITZER COMPANY</small> <small>Biological Systems • Cell Culture Applications</small> <small>Customer Service 800-441-4420</small>		N4-302416 ENCLOSURE ASSEMBLY DRAWN BY CLB DATE 8/15/03 REVISION APPROVAL DATE 1=5 PART SIZE D DWG NO 302416 REV 10F1 A	
----------------------------------------------------------------------------------------------------------------------------------------------------------------------------------------------------------------------------------------------------------------------------------------------------------------------------------------	--	--------------------------------------------------------------------------------------------------------------------------------------------------------------------------	--	------------------------------------------------------------------------------------------------------------------------------------	--