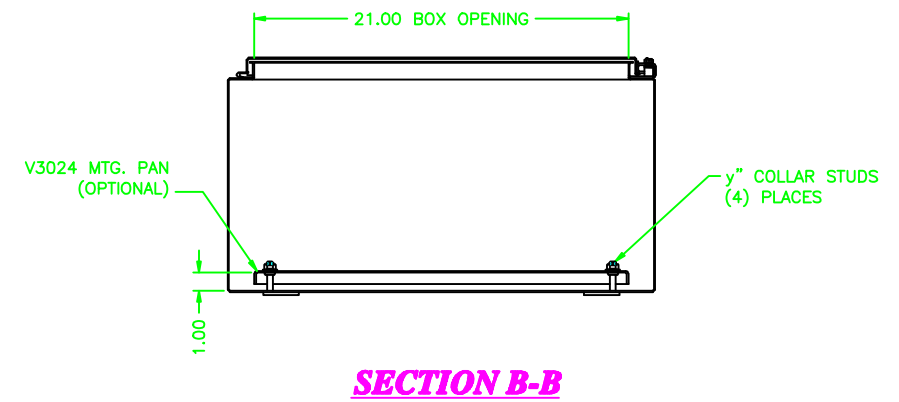
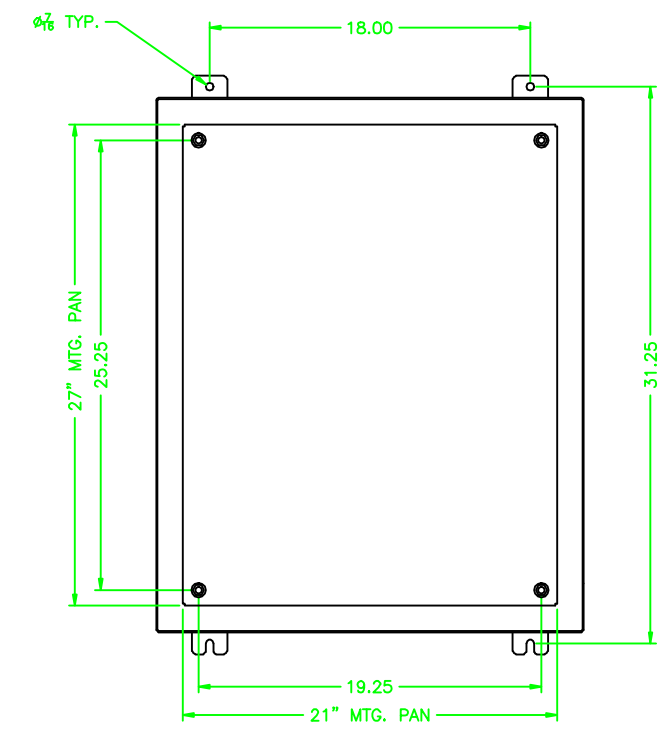
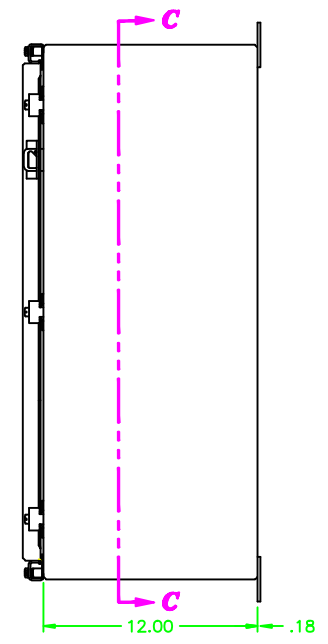
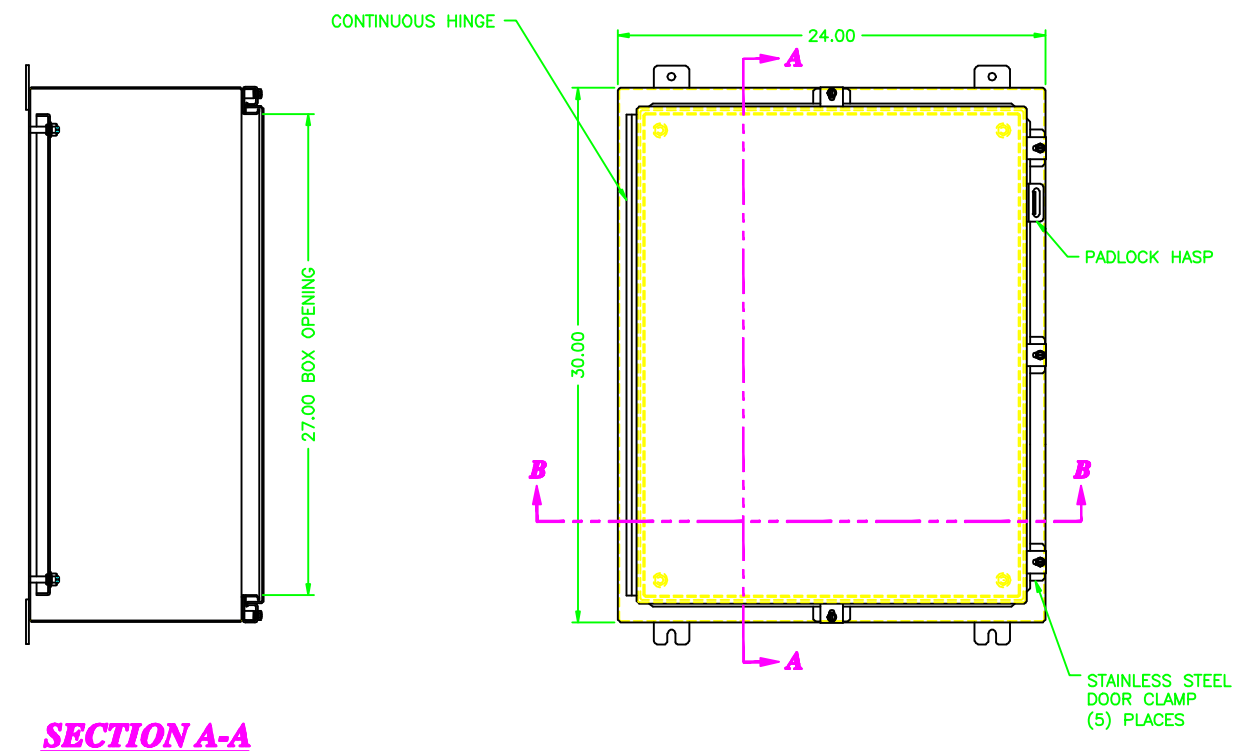
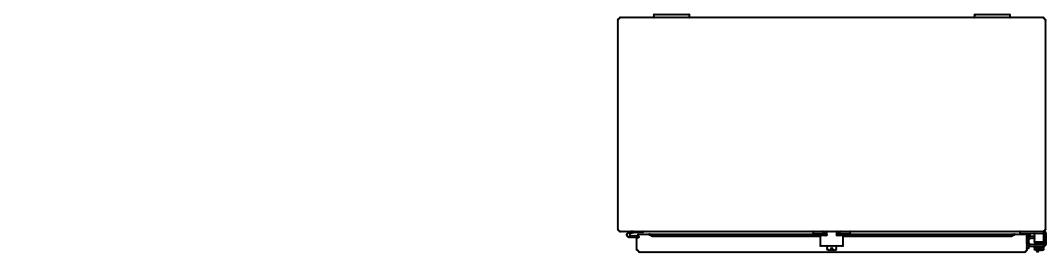


302412

REV	REVISION	BY	BCN	DATE
A	INITIAL RELEASE	CLB		7/9/03

UNCONTROLLED DRAWING

(DATA SUBJECT TO CHANGE WITHOUT NOTICE)
 FOR ADDITIONAL HELP CONTACT ENGINEERING@ADALET.com



ENCLOSURE MATERIAL	CATALOG NUMBER	PART NUMBER
88310L	N4X8-302412	M10265
88304	N4X-302412	M10171

DO NOT SCALE DRAWING		UNLESS OTHERWISE SPECIFIED DIMENSIONS ARE IN INCHES.		SHEET METAL TOLERANCES NOT OTHERWISE SPECIFIED:		NOTICE TO PERSONS READING THIS DRAWING: ADALET CLAIMS PROPRIETARY RIGHTS IN THE MATERIALS, METHODS, AND EQUIPMENT DESCRIBED HEREIN. THIS DRAWING IS ISSUED IN CONFIDENCE FOR ENGINEERING PURPOSES ONLY AND MAY NOT BE REPRODUCED OR USED TO MANUFACTURE WITHOUT WRITTEN PERMISSION FROM ADALET TO THE USER.		MATERIALS:		FINISH:		DRAWN BY		DATE		REV	
FRAC ± 1/16"	DEC ± .03"	ANGLES ± 0°-30"	INSIDE BEND RADIUS = .040" NOM.	WARPAGE = 1/16" PER FOOT	ALL WELD SIZES ARE MIN.	ADALET	A SCOTT FETZER COMPANY	Enclosure Systems	Cellular Applications	CLB	7/9/03	1=5	D	302412	10F1	A	