

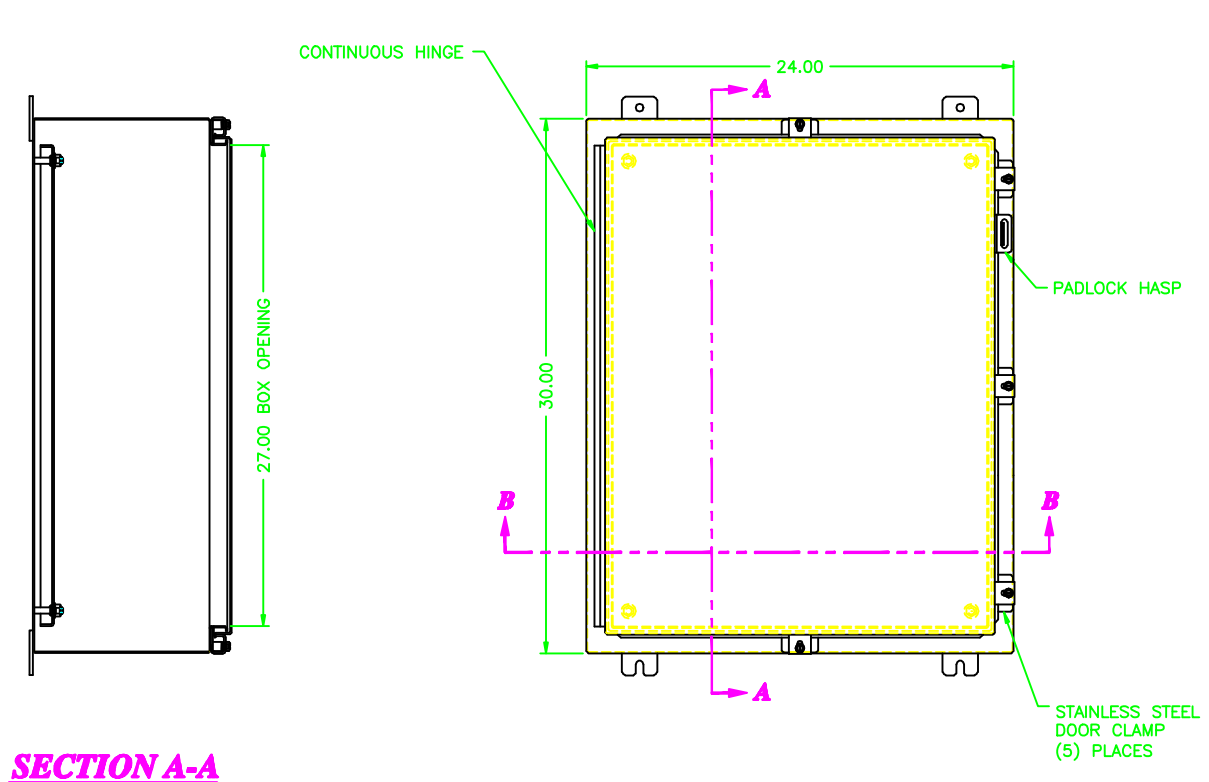
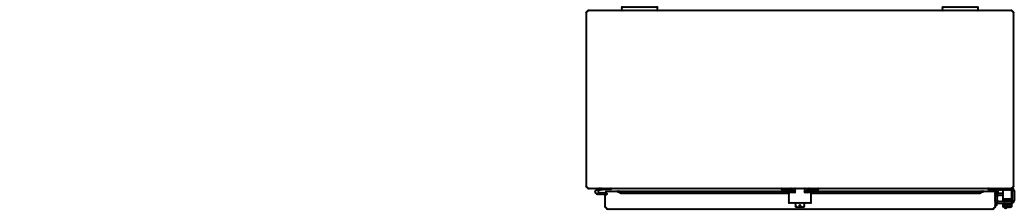
302410

REV	REVISION	BY	RCN	DATE
A	INITIAL RELEASE	CLB		7/17/03

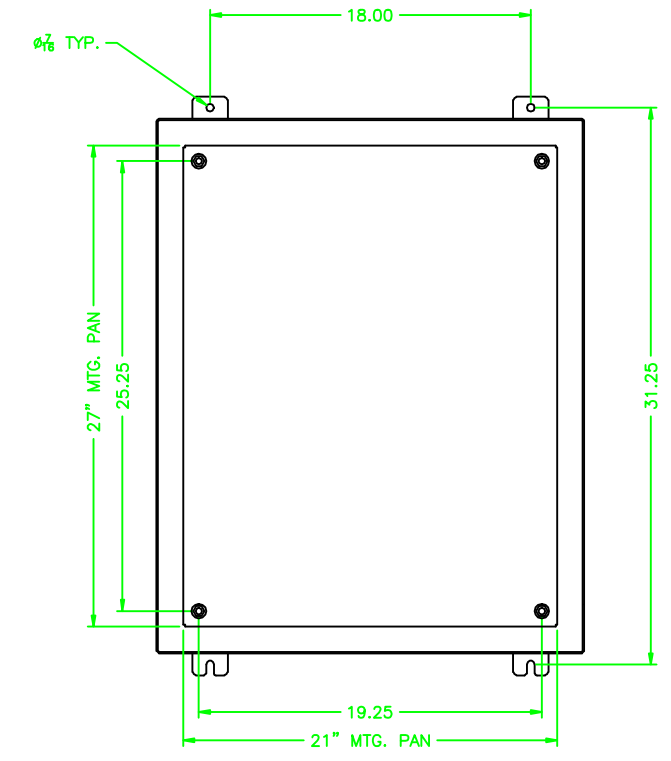
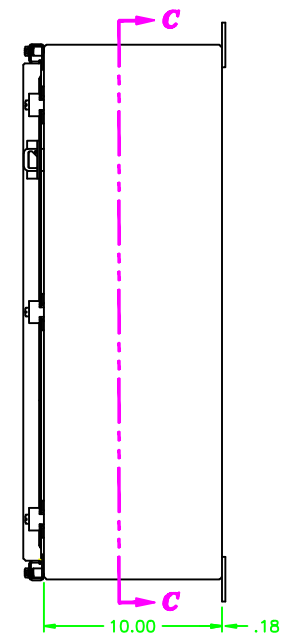
# UNCONTROLLED DRAWING

(DATA SUBJECT TO CHANGE WITHOUT NOTICE)

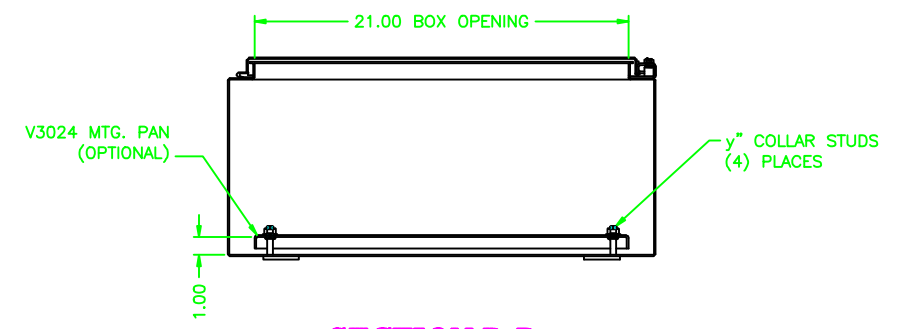
FOR ADDITIONAL HELP CONTACT ENGINEERING@ADALET.com



**SECTION A-A**



**SECTION C-C**



**SECTION B-B**

ENCLOSURE MATERIAL	CATALOG NUMBER	PART NUMBER
88818L	N4XB-302410	M10254
88394	N4X-302410	M10160

<p>DO NOT SCALE DRAWING</p> <p>UNLESS OTHERWISE SPECIFIED DIMENSIONS ARE IN INCHES.</p> <p>SHEET METAL TOLERANCES NOT OTHERWISE SPECIFIED:</p> <p>FINN ± 1/16"</p> <p>JXX ± .02"</p> <p>JXX ± .010"</p> <p>ANGLES ± 0°-30'</p> <p>INSIDE BEND RADIUS = .040" NOM.</p> <p>WARPAGE = 1/16" PER FOOT</p> <p>ALL WELD SIZES ARE MIN.</p>		<p><b>ADALET</b></p> <p>A SCOTT FEITZER COMPANY</p> <p>Biological Systems • Cable Assemblies</p> <p>Customer Service 800-441-4400</p>	<p>N4-302410 ENCLOSURE ASSEMBLY</p> <p>DRAWN BY CLB DATE 7/17/03</p> <p>REV APPROVAL 1=5</p> <p>DWG SIZE D</p> <p>DWG NO 302410 REV 10F1 A</p>
--	--	---	--