

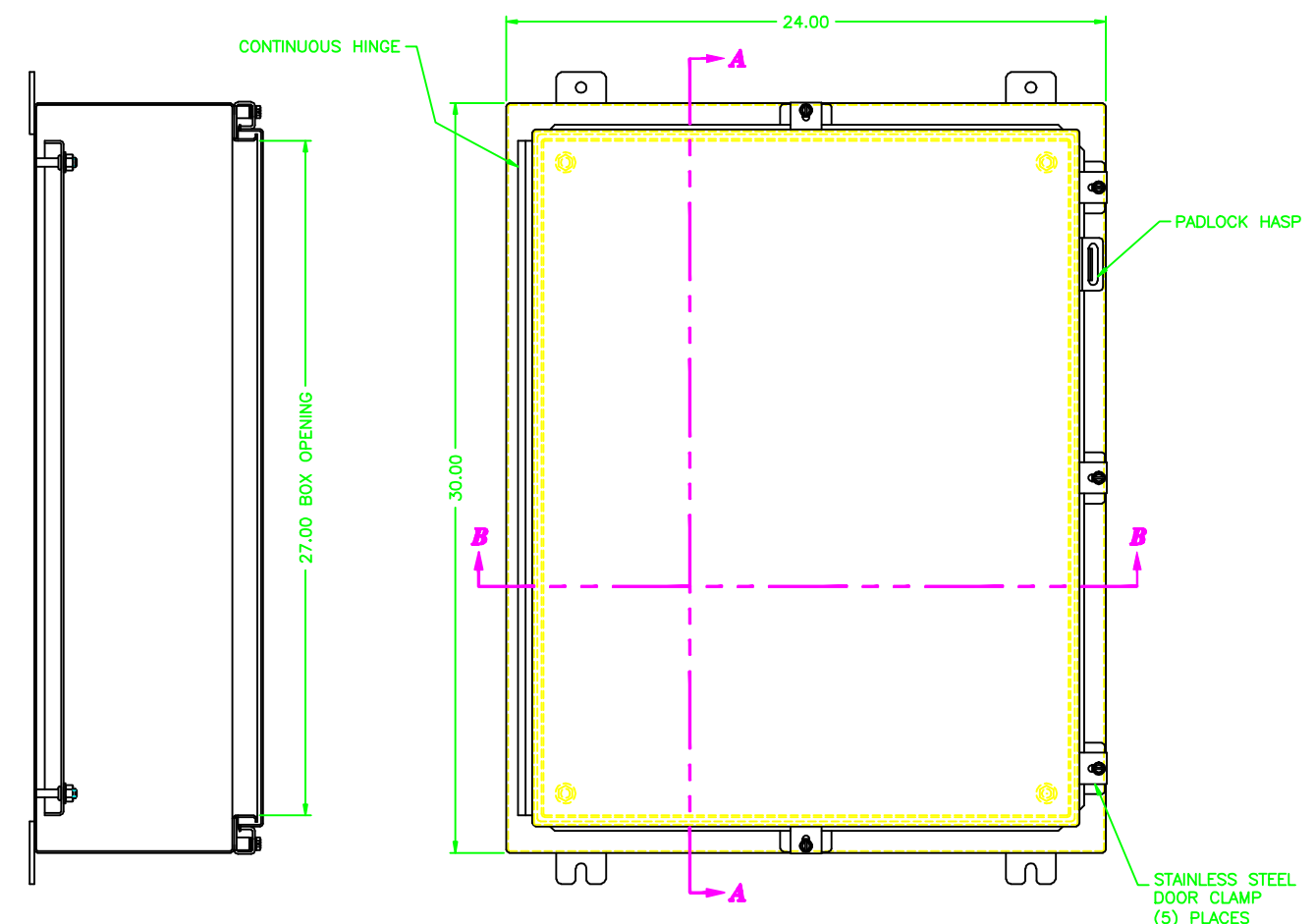
302408

REV	REVISION	BY	BCN	DATE
A	INITIAL RELEASE	CLB		7/9/03

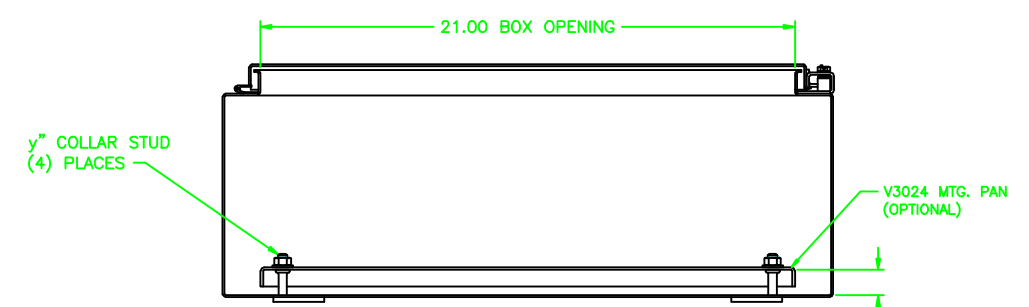
# UNCONTROLLED DRAWING

(DATA SUBJECT TO CHANGE WITHOUT NOTICE)

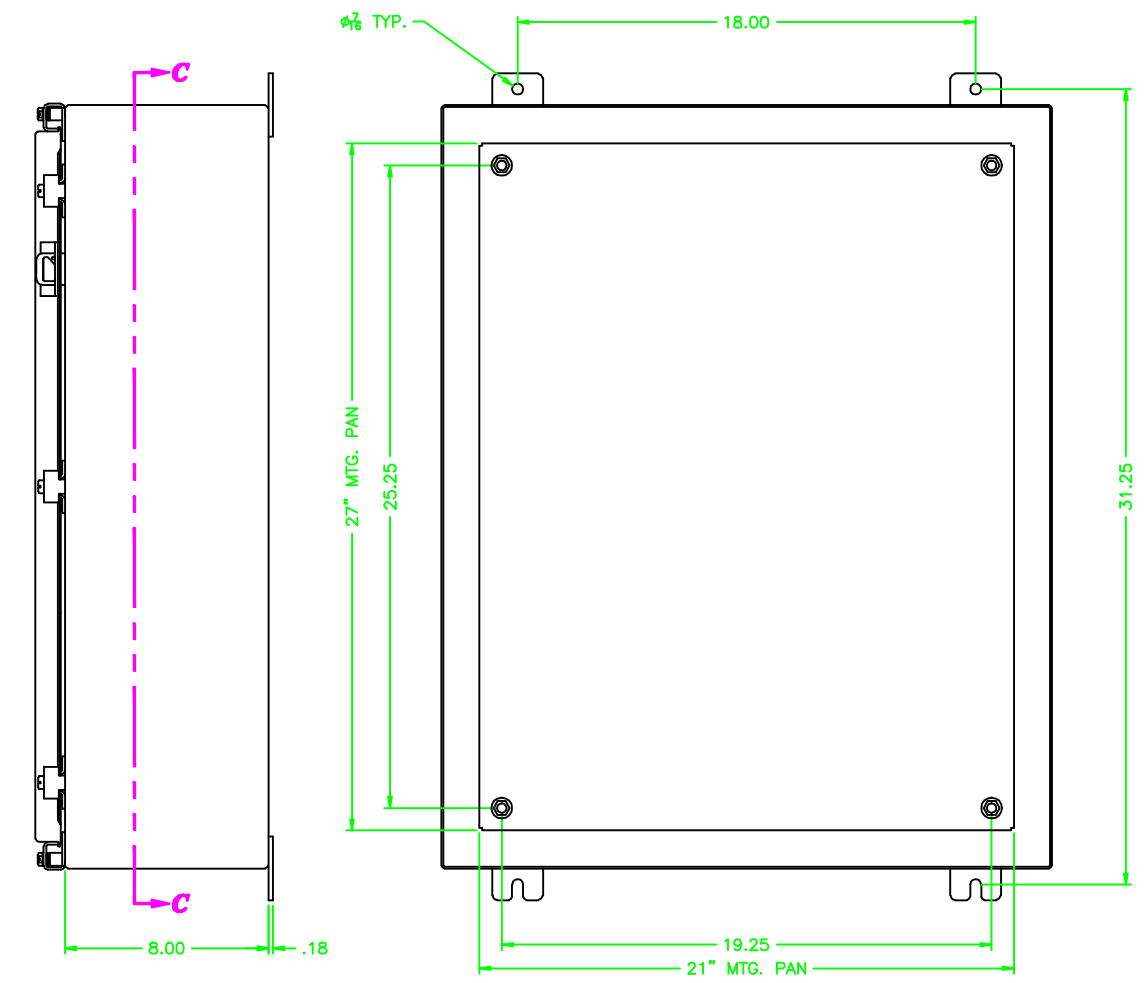
FOR ADDITIONAL HELP CONTACT ENGINEERING@ADALET.com



**SECTION A-A**



**SECTION B-B**



**SECTION C-C**

ENCLOSURE MATERIAL	CATALOG NUMBER	PART NUMBER
9831HL	N4XB-302408	M10234
98304	N4X-302408	M10143

<p>DO NOT SCALE DRAWING</p> <p>UNLESS OTHERWISE SPECIFIED DIMENSIONS ARE IN INCHES.</p> <p>SHEET METAL TOLERANCES NOT OTHERWISE SPECIFIED:</p> <p>FRAC ±1/16"</p> <p>DEC ±.02"</p> <p>DEC ±.010"</p> <p>ANGLES ± 0°-30"</p> <p>INSIDE BEND RADIUS = .040" NOM.</p> <p>WARPAGE = 1/16" PER FOOT</p> <p>ALL WELD SIZES ARE MIN.</p>		<p><b>ADALET</b></p> <p>A SCOTT FETZER COMPANY</p> <p>Enclosure Systems • Cable Accessories</p> <p>General Contractors • E&amp;C</p>		<p>DATE: 7/9/03</p> <p>SCALE: 1=3.5</p> <p>DWG NO: 302408</p> <p>SHEET: 10F1</p> <p>REV: A</p>	
<p>NOTICE TO PERSONS RECEIVING THIS DRAWING: ADALET CLAIMS PROPRIETARY RIGHTS IN THE MATERIALS, METHODS, AND EQUIPMENT USED IN THE DESIGN AND CONSTRUCTION OF THIS DRAWING. THIS DRAWING IS ISSUED IN CONFIDENCE FOR ENGINEERING INFORMATION ONLY AND MAY NOT BE REPRODUCED OR USED TO MANUFACTURE, EITHER WHOLE OR PART, WITHOUT WRITTEN PERMISSION FROM ADALET TO THE USER.</p>		<p>ENCLOSURE MATERIAL: 9831HL, 98304</p> <p>CATALOG NUMBER: N4XB-302408, N4X-302408</p> <p>PART NUMBER: M10234, M10143</p>		<p>ENCLOSURE MATERIAL: 9831HL, 98304</p> <p>CATALOG NUMBER: N4XB-302408, N4X-302408</p> <p>PART NUMBER: M10234, M10143</p>	