

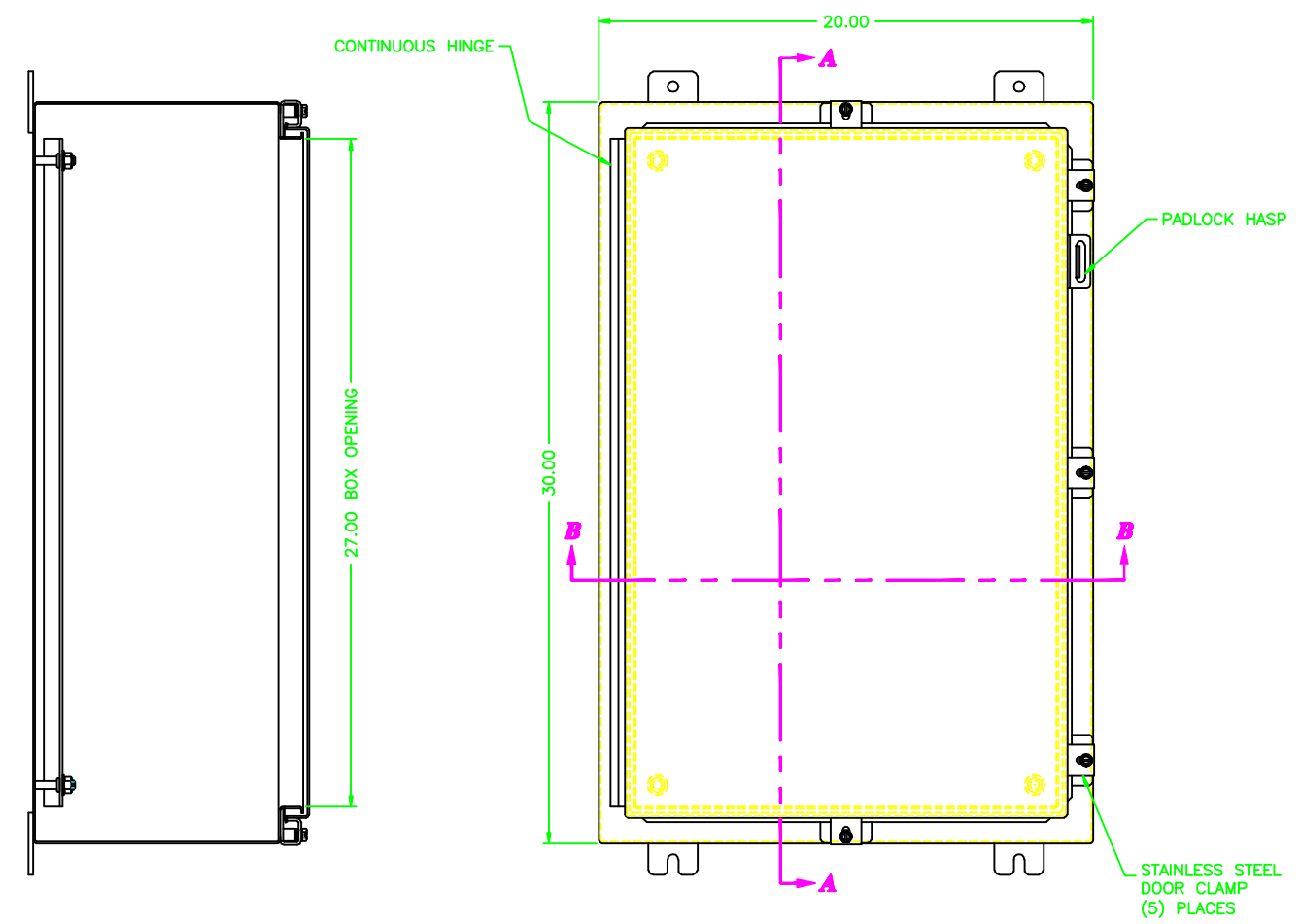
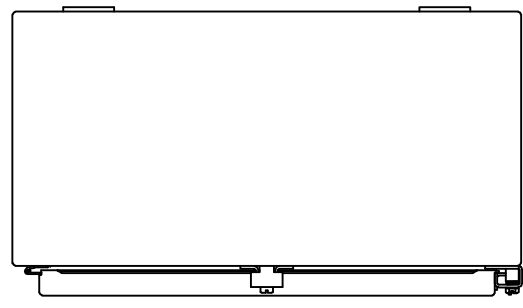
302010

REV	REVISION	BY	BCN	DATE
A	INITIAL RELEASE	CLB		7/10/03

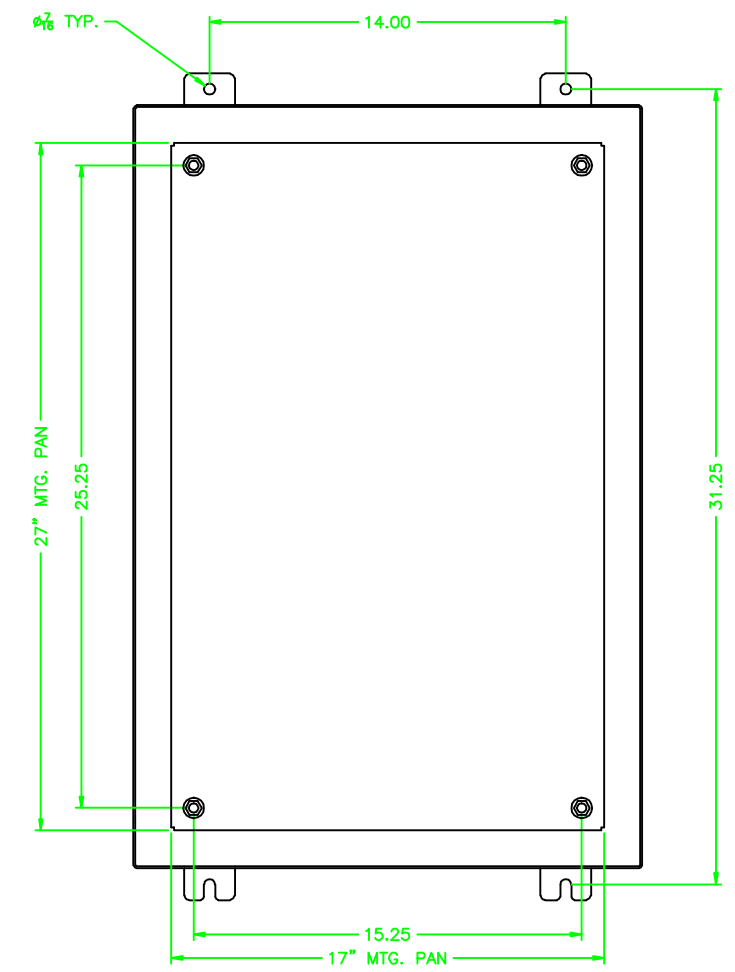
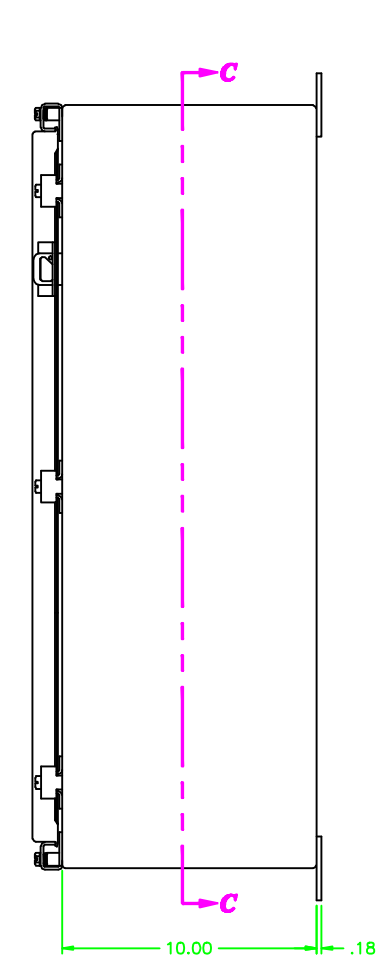
UNCONTROLLED DRAWING

(DATA SUBJECT TO CHANGE WITHOUT NOTICE)

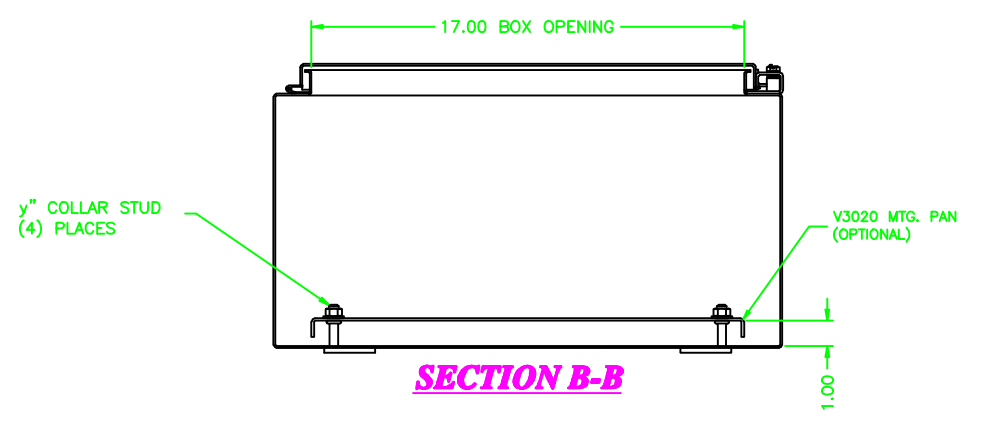
FOR ADDITIONAL HELP CONTACT ENGINEERING@ADALET.com



SECTION A-A



SECTION C-C



SECTION B-B

ENCLOSURE MATERIAL	CATALOG NUMBER	PART NUMBER
88316L	N4X-302010	M10263
88304	N4X-302010	M10150

<p>ADALET A SCOTT FETZER COMPANY Engineers Systems • Cable Assemblies Communications • Data</p>		<p>N4-302010 ENCLOSURE ASSEMBLY</p>	
<p>UNLESS OTHERWISE SPECIFIED DIMENSIONS ARE IN INCHES. SHEET METAL TOLERANCES NOT OTHERWISE SPECIFIED: FINN ± 1/16" JOK ± .02" JOK ± .010" ANGLES ± 0°-30" WARPAGE = 1/16" PER FOOT ALL WELD SIZES ARE MIN.</p>	<p>NOTICE TO PERSONS READING THIS DRAWING: ADALET CLAIMS PROPRIETARY RIGHTS IN THE MATERIALS, METHODS, AND EQUIPMENT USED IN THE DESIGN AND CONSTRUCTION OF THIS PRODUCT. THE DRAWING IS FOR INFORMATION ONLY AND MAY NOT BE REPRODUCED OR USED TO MANUFACTURE WITHOUT EXPRESS WRITTEN PERMISSION FROM ADALET IS THE USER.</p>	<p>DRAWN BY: CLB DATE: 7/10/03 APPROVAL: [Signature] DATE: [Blank] DWG NO: 302010 REV: 10F1</p>	<p>DATE: 7/10/03 SCALE: 1=3.5 REV: D REV: A</p>