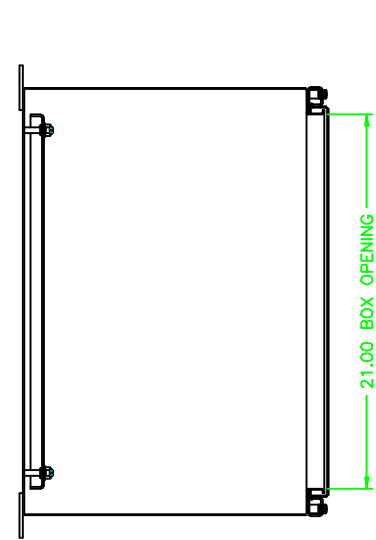
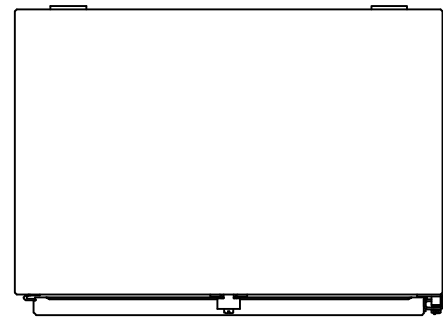


242416

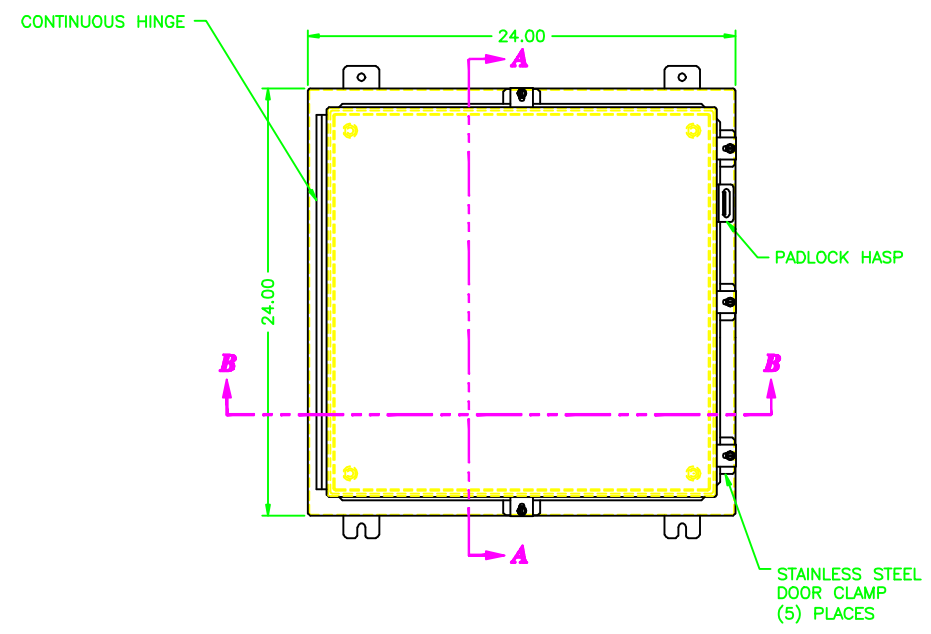
REV	REVISION	BY	DCN	DATE
A	INITIAL RELEASE	CLB		8/15/03

UNCONTROLLED DRAWING

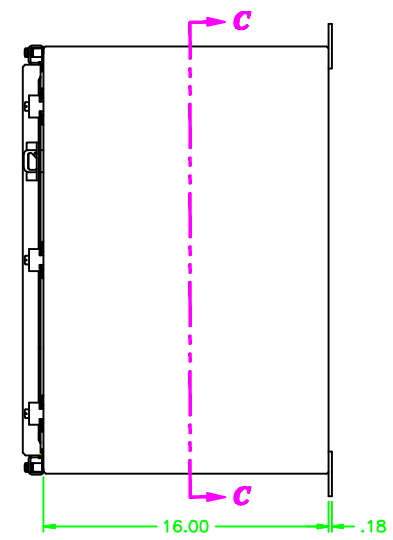
(DATA SUBJECT TO CHANGE WITHOUT NOTICE)
 FOR ADDITIONAL HELP CONTACT ENGINEERING@ADALET.com



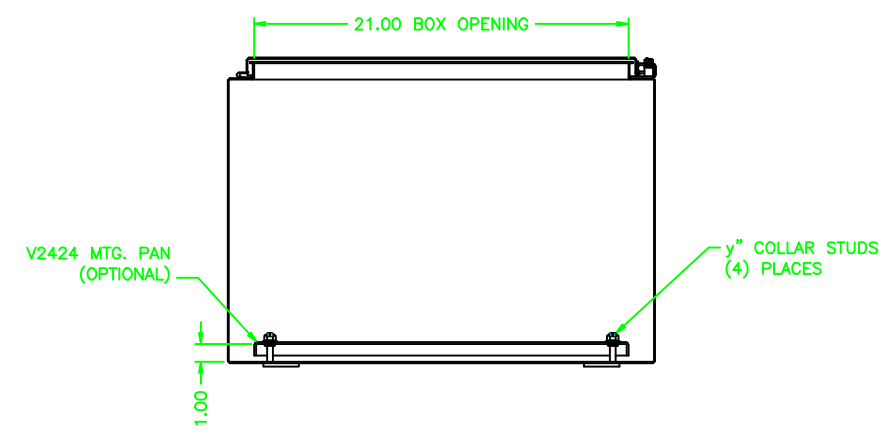
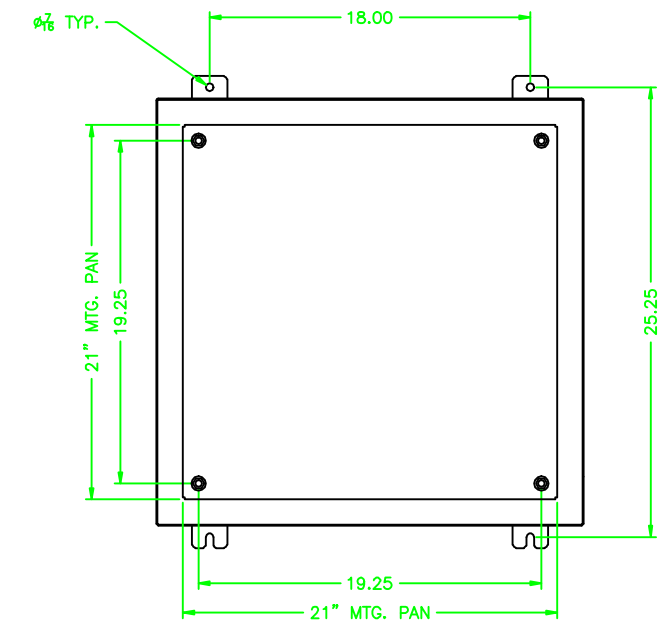
SECTION A-A



SECTION B-B



SECTION C-C



ENCLOSURE MATERIAL	CATALOG NUMBER	PART NUMBER
88816L	N4XB-242416	M10276
88804	N4X-242416	M10182

ADALET A SCOTT FETZER COMPANY Enclosure Systems • Cable Accessories General Products		N4-242416 ENCLOSURE ASSEMBLY	
UNLESS OTHERWISE SPECIFIED DIMENSIONS ARE IN INCHES. SHEET METAL TOLERANCES: NOT OTHERWISE SPECIFIED: FINISH: 24/16" JOX ± .02" JOX ± .010" ANGLES ± 0°-30" INSIDE BEND RADIUS = .040" NOM. WARPAGE = 1/16" PER FOOT ALL WELD SIZES ARE MIN.	NOTICE TO PERSONS RECEIVING THIS DRAWING: ADALET CLAIMS PROPRIETARY RIGHTS IN THE MATERIALS, METHODS, AND EQUIPMENT DESCRIBED IN THIS DRAWING. FOR ENGINEERING INFORMATION ONLY AND MAY NOT BE REPRODUCED OR USED TO MANUFACTURE WITHOUT EXPRESS WRITTEN PERMISSION FROM ADALET TO THE USER.	DRAWN BY: CLB DATE: 8/15/03 PART APPROVAL: 1=5 DWG. CHECK: D	DWG. NO: 242416 SHEET: 10F1 REV: A