

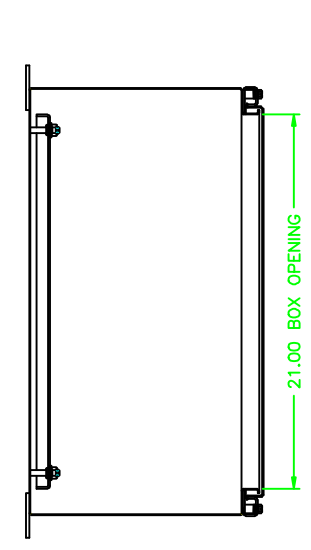
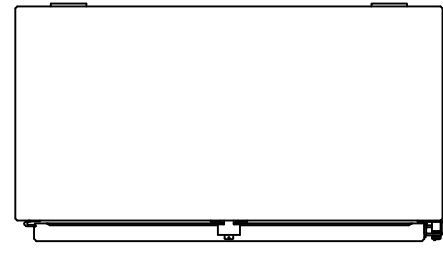
242412

REV	REVISION	BY	RCN	DATE
A	INITIAL RELEASE	CLB		8/15/03

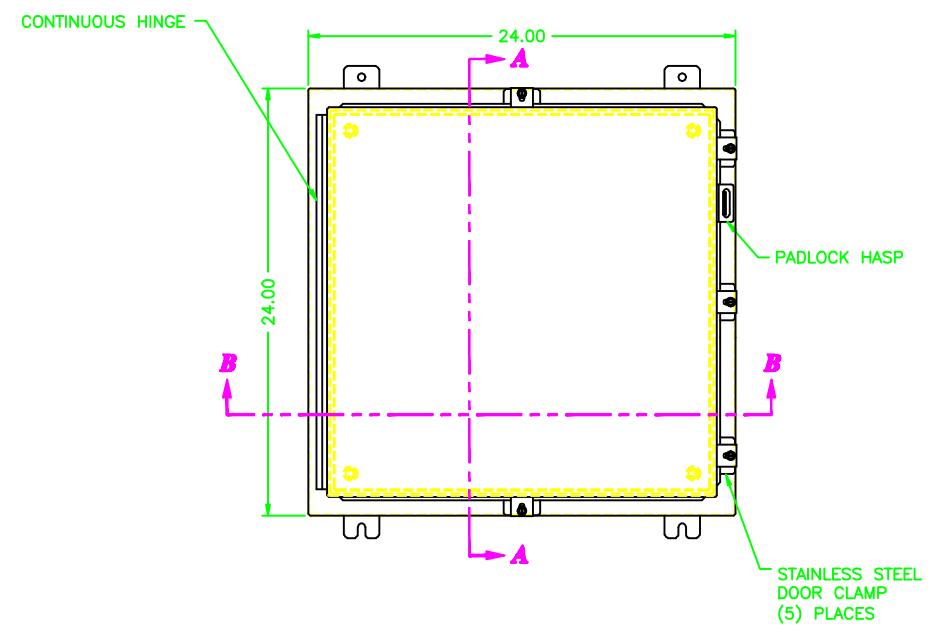
UNCONTROLLED DRAWING

(DATA SUBJECT TO CHANGE WITHOUT NOTICE)

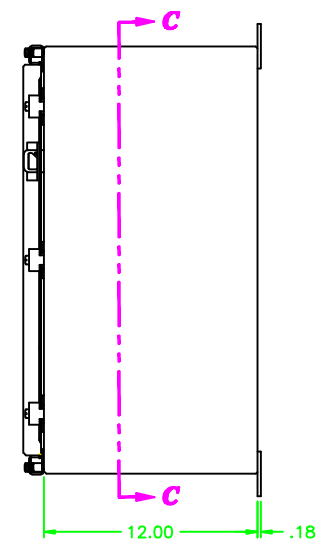
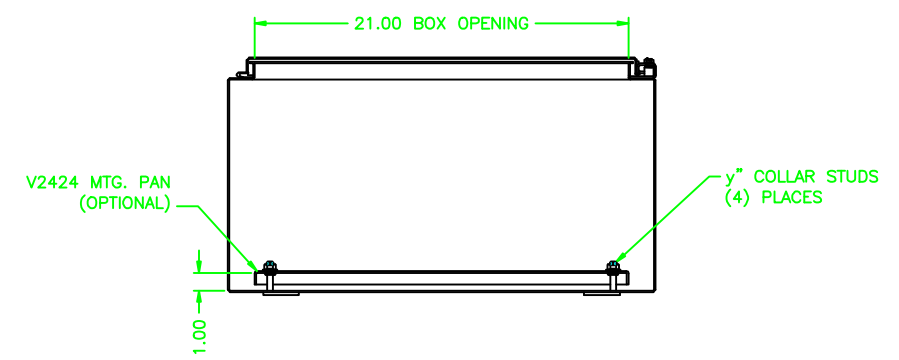
FOR ADDITIONAL HELP CONTACT ENGINEERING@ADALET.com



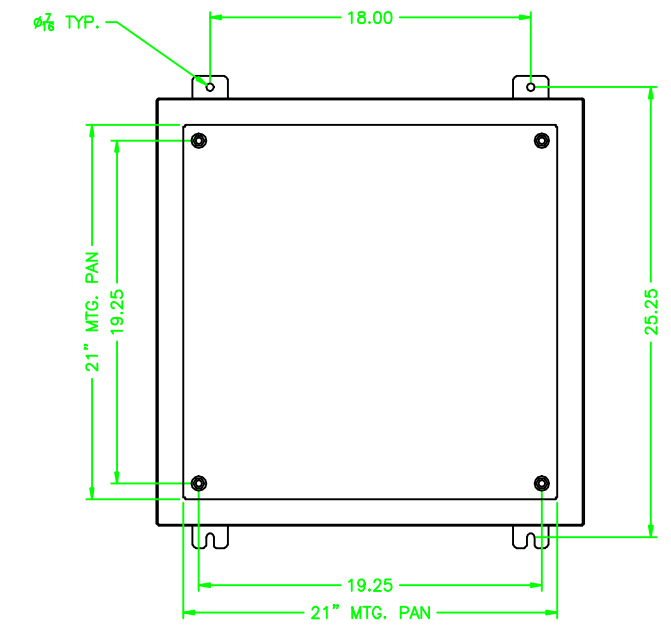
SECTION A-A



SECTION B-B



SECTION C-C



ENCLOSURE MATERIAL	CATALOG NUMBER	PART NUMBER
88818L	N4XB-242412	M10284
88894	N4X-242412	M10170

DO NOT SCALE DRAWING		UNLESS OTHERWISE SPECIFIED DIMENSIONS ARE IN INCHES.		SHEET METAL TOLERANCES NOT OTHERWISE SPECIFIED:		FRAC ±1/16"		JXX ±.02"		JXX ±.010"		ANGLES ±0°-30"		INSIDE BEND RADIUS = .040" NOM.		WARPAGE = 1/16" PER FOOT		ALL WELD SIZES ARE MIN.	
ADALET		A SCOTT FEITZER COMPANY		Biological Systems • Cable Accessories		888-444-4444		N4-242412 ENCLOSURE ASSEMBLY		DRAWN BY CLB		DATE 8/15/03		REV APPROVAL		PLAT SCALE 1=5		MFG APPROVAL	
NOTICE TO PERSONS RECEIVING THIS DRAWING: ADALET CLAIMS PROPRIETARY RIGHTS IN THE MATERIALS, METHODS, AND EQUIPMENT DESCRIBED HEREIN. THIS DRAWING IS ISSUED BY CONFIDENTIAL FOR ENGINEERING INFORMATION ONLY AND MAY NOT BE REPRODUCED OR USED TO MANUFACTURE, WITHOUT EXPRESS WRITTEN PERMISSION FROM ADALET TO THE USER.		REVISIONS:		PERMIT:		DATE:		242412		REV:		10F1		REV:		A			