

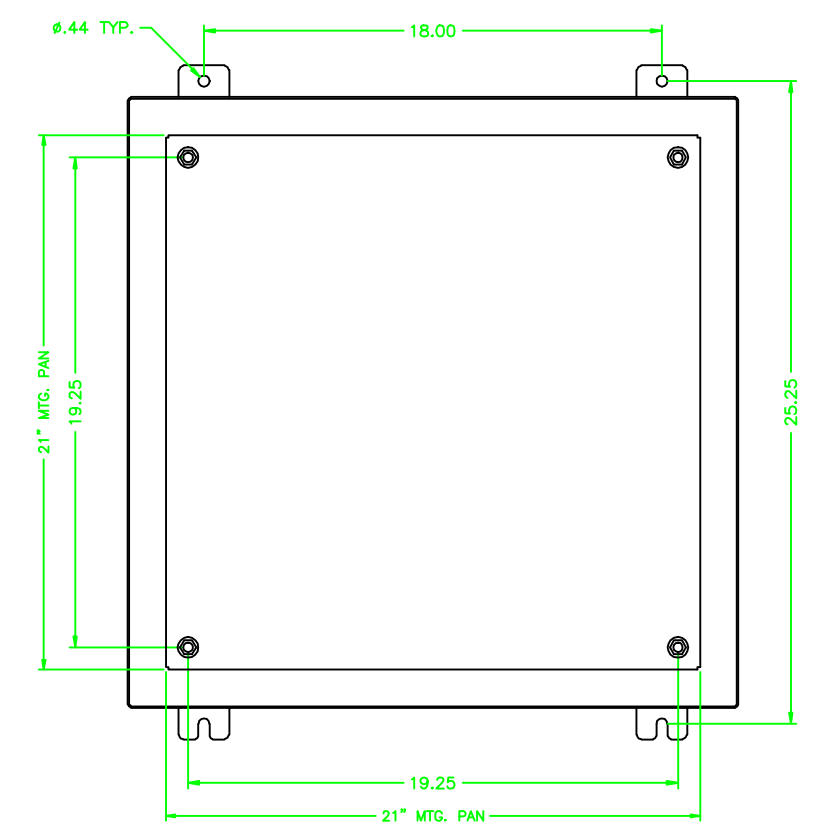
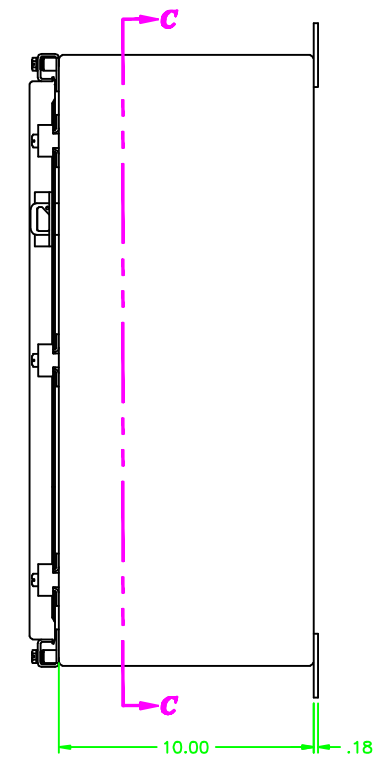
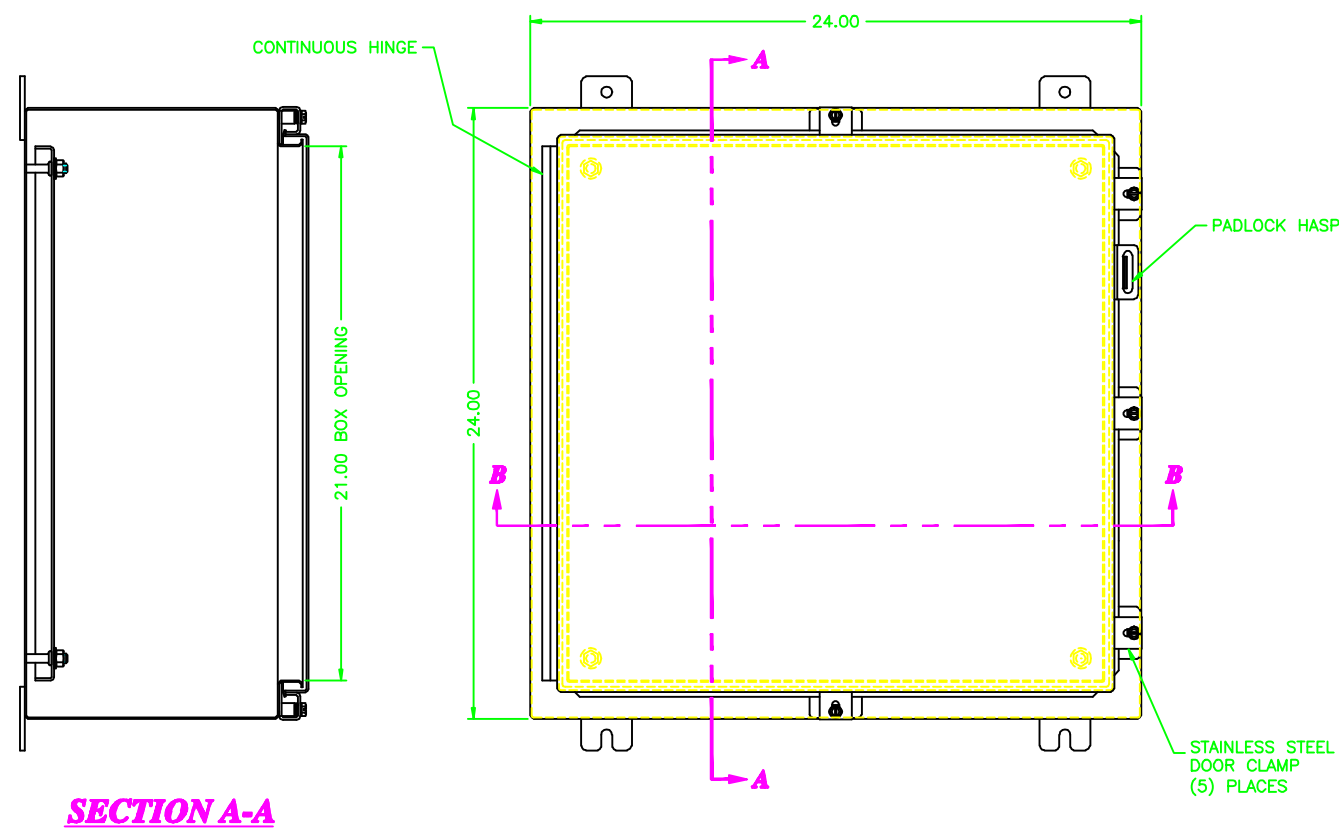
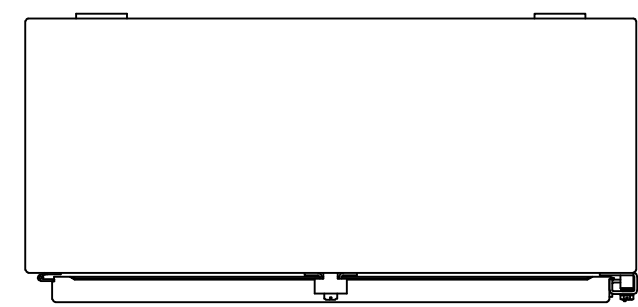
242410

REV	REVISION	BY	BCN	DATE
A	INITIAL RELEASE	CLB		7/9/03

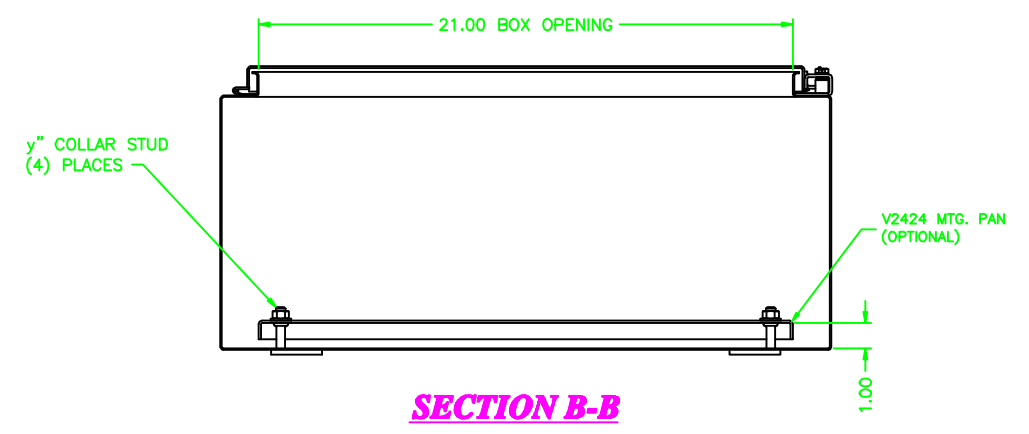
# UNCONTROLLED DRAWING

(DATA SUBJECT TO CHANGE WITHOUT NOTICE)

FOR ADDITIONAL HELP CONTACT ENGINEERING@ADALET.com



## SECTION C-C



ENCLOSURE MATERIAL	CATALOG NUMBER	PART NUMBER
304	N4XB-242410	M10262
304	N4X-242410	M10166

DO NOT SCALE DRAWING		UNLESS OTHERWISE SPECIFIED DIMENSIONS ARE IN INCHES.		SHEET METAL TOLERANCES NOT OTHERWISE SPECIFIED:	
FRAC ±1/16"	DEC ±.005"	DEC ±.005"	DEC ±.005"	DEC ±.005"	DEC ±.005"
ANGLES ± 0°-30'	INSIDE BEND RADIUS = .040" NOM.	WARPAGE = 1/16" PER FOOT	ALL WELD SIZES ARE MIN.		
<b>ADALET</b> A SCOTT FETZER COMPANY Enclosure Systems • Cable Accessories General Contractors • 6881		NOTICE TO PERSONS RECEIVING THIS DRAWING: ADALET CLAIMS PROPRIETARY RIGHTS IN THE MATERIALS, METHODS, AND EQUIPMENT DESCRIBED IN THIS DRAWING. THIS DRAWING IS ISSUED IN CONFIDENCE FOR ENGINEERING INFORMATION ONLY AND MAY NOT BE REPRODUCED OR USED TO MANUFACTURE, WITHOUT EXPRESS WRITTEN PERMISSION FROM ADALET TO THE USER.		DRAWN BY: CLB DATE: 7/9/03 CHECKED BY: [blank] DATE: [blank] APPROVED BY: [blank] DATE: [blank]	
PROJECT NO: 242410 SHEET NO: 10F1		TITLE: N4-242410 ENCLOSURE ASSEMBLY		SCALE: 1=3.5 REV: A	