

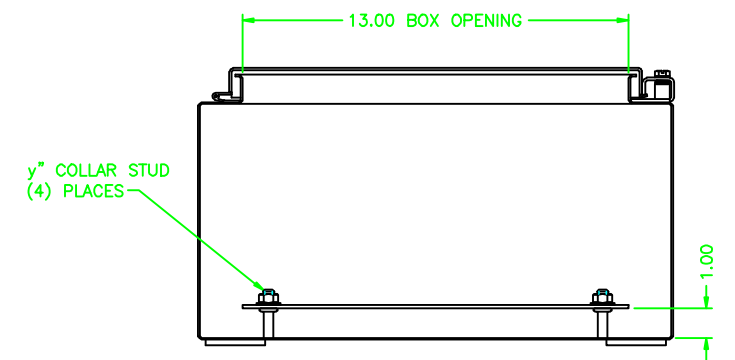
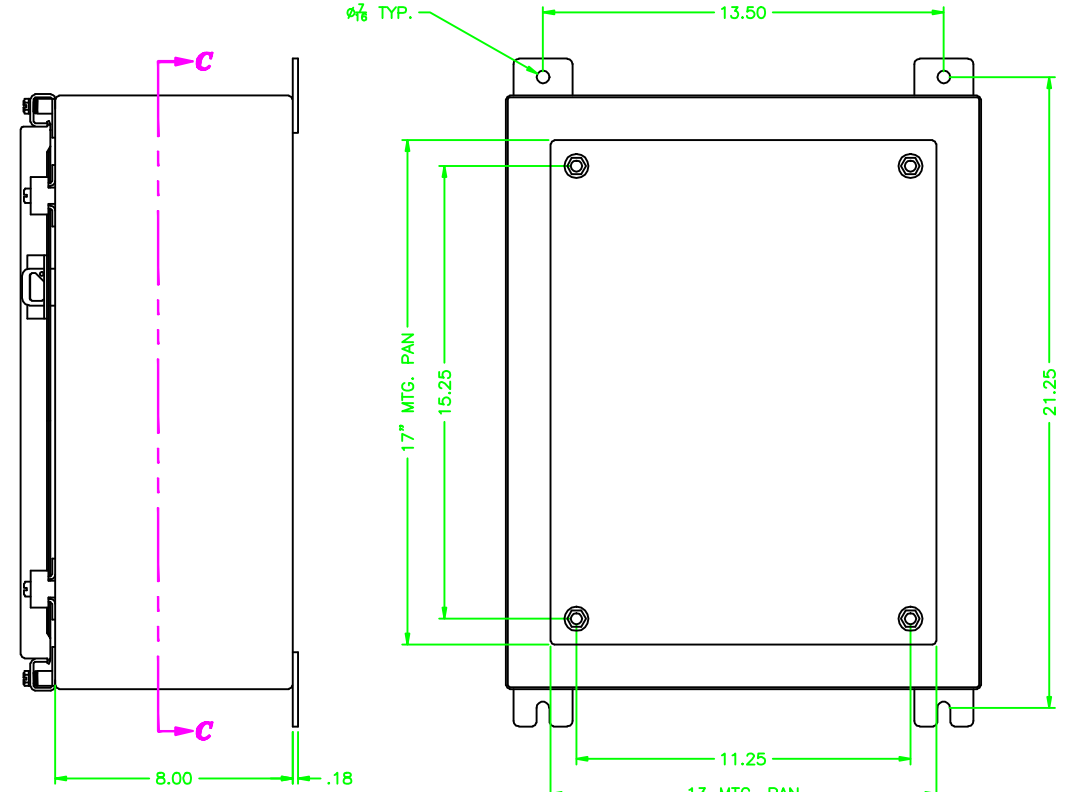
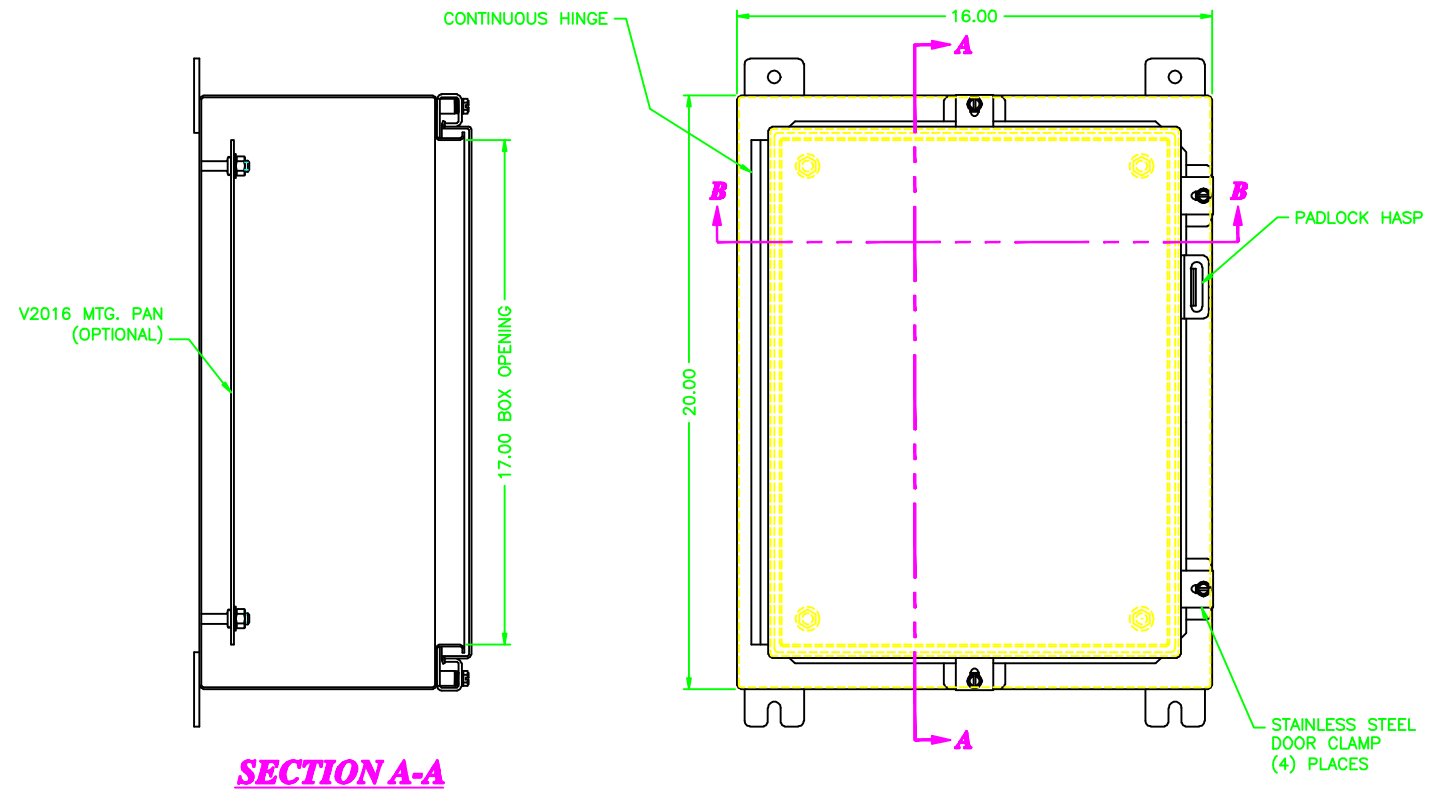
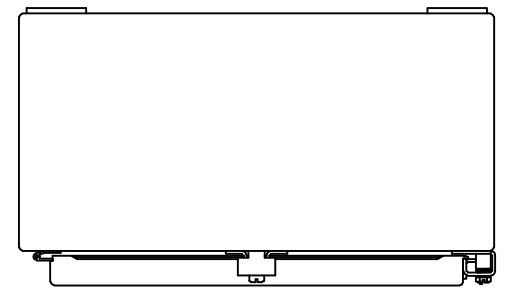
201608

REV	REVISION	BY	BCN	DATE
A	INITIAL RELEASE	CLB		7/8/03

UNCONTROLLED DRAWING

(DATA SUBJECT TO CHANGE WITHOUT NOTICE)

FOR ADDITIONAL HELP CONTACT ENGINEERING@ADALET.com



ENCLOSURE MATERIAL	CATALOG NUMBER	PART NUMBER
SS316L	N4XB-201608	M10225
SS304	N4X-201608	M10131

<p>ADALET A SCOTT FETZER COMPANY Enclosure Systems • Cable Accessories Control Systems • 688</p>		<p>N4-201608 ENCLOSURE ASSEMBLY</p>	
<p>UNLESS OTHERWISE SPECIFIED DIMENSIONS ARE IN INCHES. SHEET METAL TOLERANCES NOT OTHERWISE SPECIFIED: FINN ± 1/16" JXX ± .03" JXX ± .010" ANGLES ± 0°-30" INSIDE BEND RADIUS = .040" NOM. WARPAGE = 1/16" PER FOOT ALL WELD SIZES ARE MIN.</p>	<p>NOTICE TO PERSONS RECEIVING THIS DRAWING: ADALET CLAIMS PROPRIETARY RIGHTS IN THE MATERIALS, METHODS, AND EQUIPMENT DESCRIBED HEREIN. THIS DRAWING IS ISSUED IN CONFIDENCE FOR ENGINEERING INFORMATION ONLY AND MAY NOT BE REPRODUCED OR USED TO MANUFACTURE, WITHOUT EXPRESS WRITTEN PERMISSION FROM ADALET TO THE USER.</p>	<p>DRAWN BY: CLB DATE: 7/8/03 APP. APPROVAL: [Signature] DATE: [Date] REV. APPROVAL: [Signature] DATE: [Date]</p>	<p>SCALE: 1=3 SHEET NO: 10F1 REV: A</p>
<p>201608</p>		<p>10F1 A</p>	