

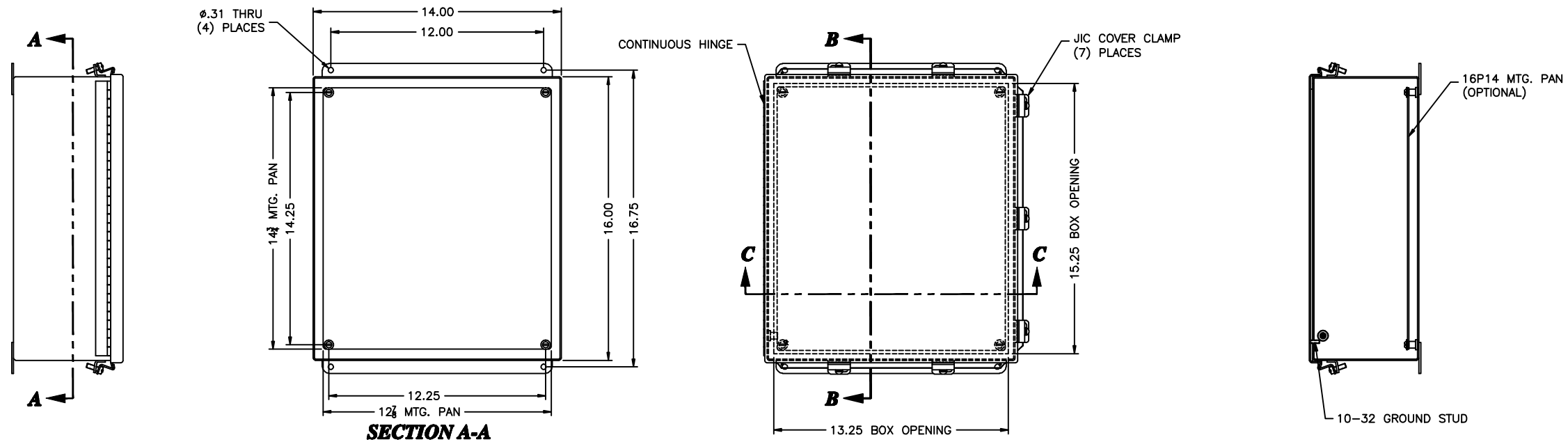
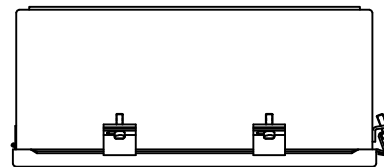
161406

REV	REVISION	BY	BCN	DATE
A	INITIAL RELEASE	CLB		8/15/03
B	14-3/4 MTG PAN DIM WAS 14--7/8	CLB		2/23/04

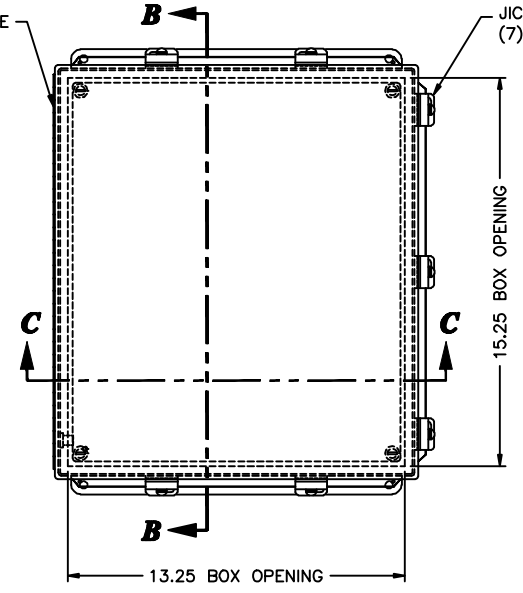
UNCONTROLLED DRAWING

(DATA SUBJECT TO CHANGE WITHOUT NOTICE)

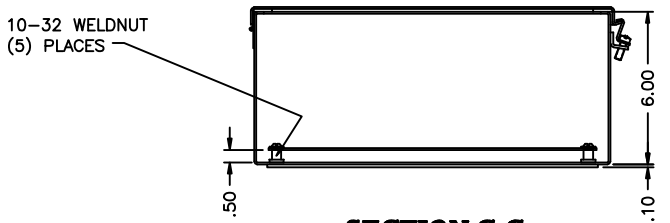
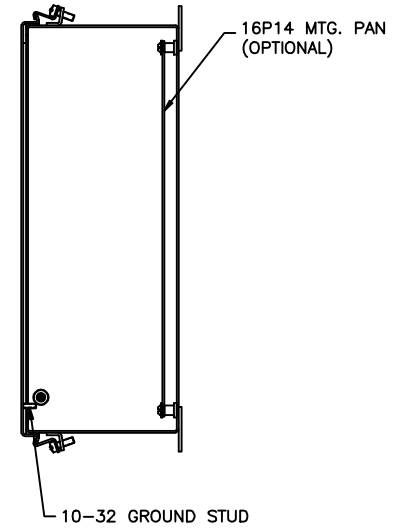
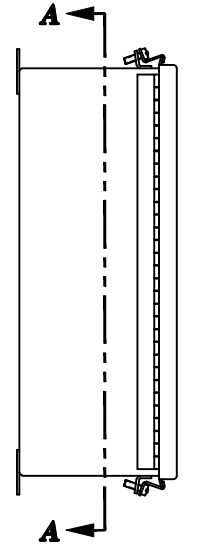
FOR ADDITIONAL HELP CONTACT ENGINEERING@ADALET.com



SECTION A-A



SECTION B-B



SECTION C-C

ENCLOSURE MATERIAL	CATALOG NUMBER	PART NUMBER
SS316L	JN4XHSS6-161406	M10350
SS304	JN4XHSS-161406	M10320

<p>DO NOT SCALE DRAWING</p> <p>UNLESS OTHERWISE SPECIFIED DIMENSIONS ARE IN INCHES.</p> <p>SHEET METAL TOLERANCES NOT OTHERWISE SPECIFIED:</p> <p>FINC ±1/16"</p> <p>JXX ±.03"</p> <p>JXX ±.010"</p> <p>ANGLES ± 0°-30"</p> <p>INSIDE BEND RADIUS = .040" NOM.</p> <p>WARPAGE = 1/16" PER FOOT</p> <p>ALL WELD SIZES ARE MIN.</p>		<p>ADALET</p> <p>A SCOTT FETZER COMPANY</p> <p>Engineers Systems • Cable Accessories</p> <p>CONTRACTORS</p>		<p>NOTICE TO PERSONS RECEIVING THIS DRAWING:</p> <p>ADALET CLAIMS PROPRIETARY RIGHTS IN THE MATERIAL DISCLOSED HEREIN. THIS DRAWING IS ISSUED IN CONFIDENCE FOR ENGINEERING INFORMATION ONLY AND MAY NOT BE REPRODUCED OR USED TO MANUFACTURE, WITHOUT EXPRESS WRITTEN PERMISSION FROM ADALET TO THE USER.</p>		<p>JN4XHSS-161406 JIC ASSEMBLY</p>	
<p>DATE: 8/15/03</p> <p>DRAWN BY: CLB</p> <p>APPROVAL: 1=3.5</p> <p>DATE: 8/15/03</p> <p>APPROVAL: D</p>		<p>DATE: 8/15/03</p> <p>APPROVAL: 1=3.5</p> <p>DATE: 2/23/04</p> <p>APPROVAL: CLB</p>		<p>DATE: 8/15/03</p> <p>APPROVAL: 1=3.5</p> <p>DATE: 2/23/04</p> <p>APPROVAL: CLB</p>			
<p>161406</p>		<p>10F1</p>		<p>B</p>			