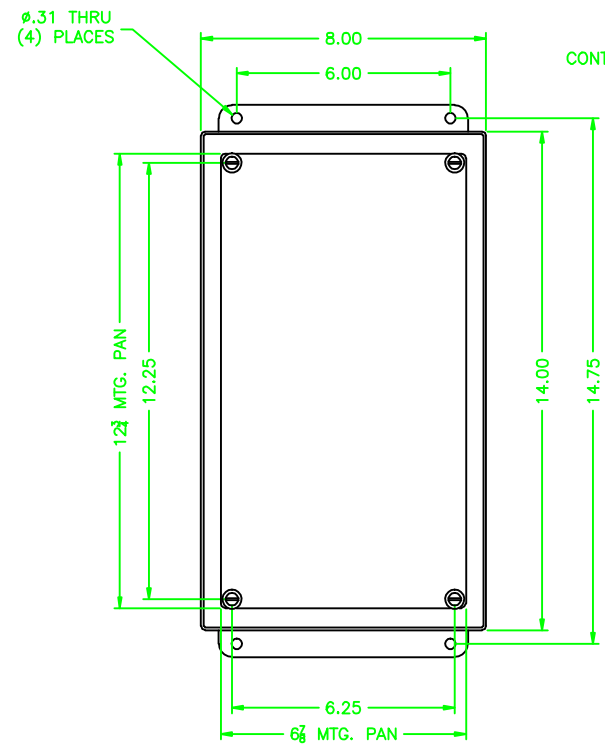
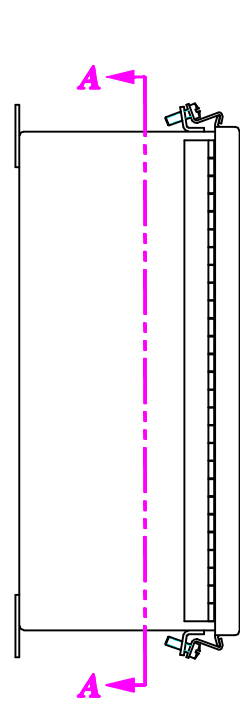
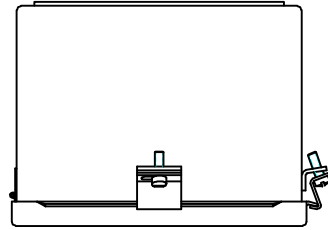


140806

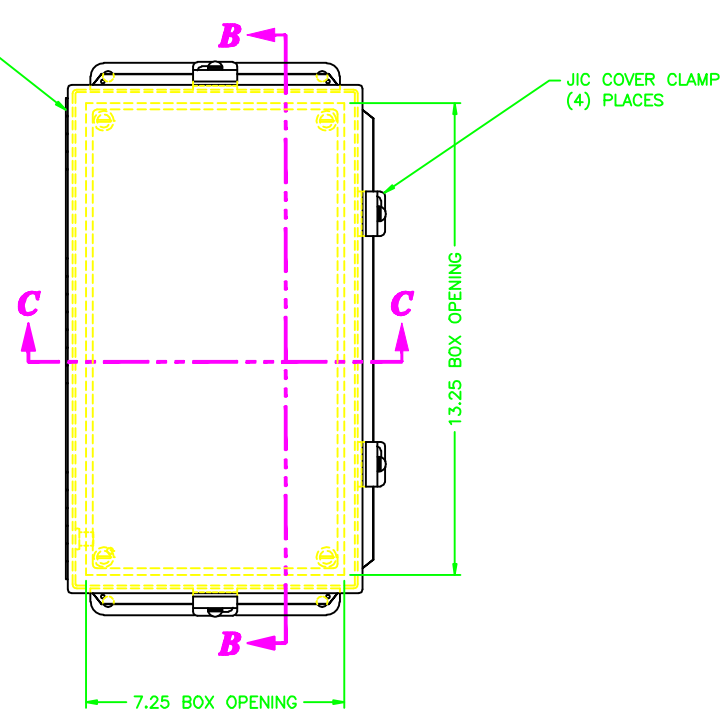
REV	REVISION	BY	BCN	DATE
A	INITIAL RELEASE	CLB		8/16/03
B	12-3/4 MTG PAN DIM WAS 12-7/8	CLB		2/23/04

UNCONTROLLED DRAWING

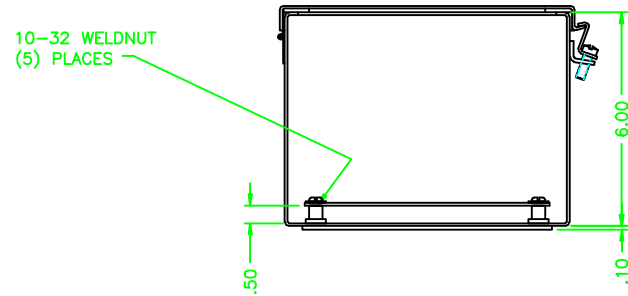
(DATA SUBJECT TO CHANGE WITHOUT NOTICE)
 FOR ADDITIONAL HELP CONTACT ENGINEERING@ADALET.com



SECTION A-A



SECTION B-B



SECTION C-C

ENCLOSURE MATERIAL	CATALOG NUMBER	PART NUMBER
SS316L	JN4XHSS6-140806	M10346
SS304	JN4XHSS-140806	M10316

ADALET A SCOTT FETZER COMPANY Enclosure Systems • Cable Accessories General Services • 604		JN4XHSS-140806 JIC ASSEMBLY	
UNLESS OTHERWISE SPECIFIED DIMENSIONS ARE IN INCHES. SHEET METAL TOLERANCES NOT OTHERWISE SPECIFIED: FINN ±.116" JIC ±.02" JICX ±.010" ANGLES ± 0°-30" WARPAGE = 1/16" PER FOOT ALL WELD SIZES ARE MIN.	NOTICE TO PERSONS RECEIVING THIS DRAWING: ADALET CLAIMS PROPRIETARY RIGHTS IN THE MATERIALS, METHODS, AND EQUIPMENT DESCRIBED IN THIS DRAWING. THIS DRAWING IS ISSUED IN CONFIDENCE FOR ENGINEERING CONSULTATION ONLY AND MAY NOT BE REPRODUCED OR USED TO MANUFACTURE, EITHER WHOLE OR PART, WITHOUT WRITTEN PERMISSION FROM ADALET TO THE USER.	DRAWN BY REV APPROVAL DATE 8/15/03	DATE 8/15/03
MATERIAL FINN JICX ANGLES WARPAGE ALL WELD SIZES ARE MIN.	FINN JICX ANGLES WARPAGE ALL WELD SIZES ARE MIN.	DATE 8/15/03	DATE 8/15/03
DWG NO 140806	SHEET 10F1	REV B	REV B