

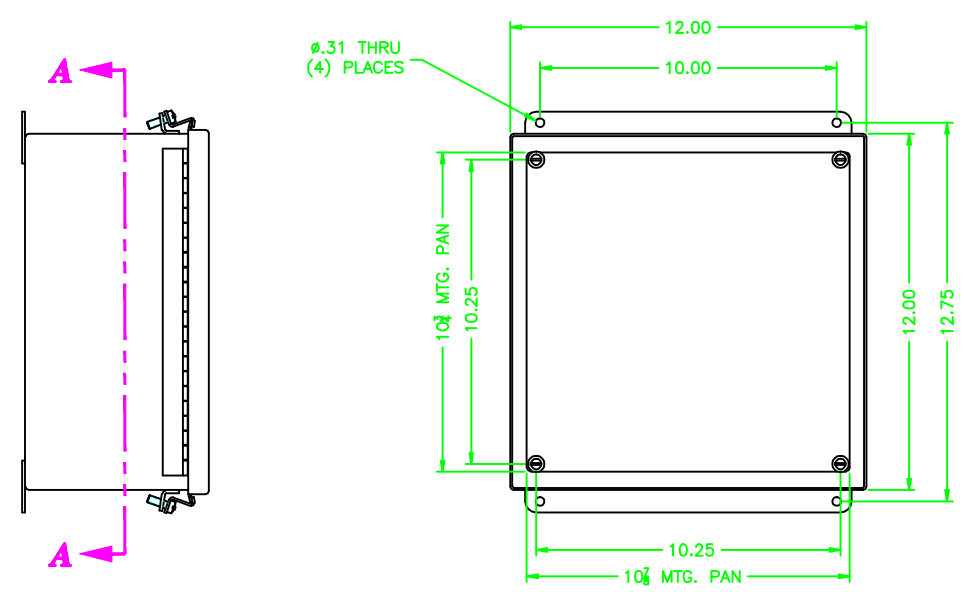
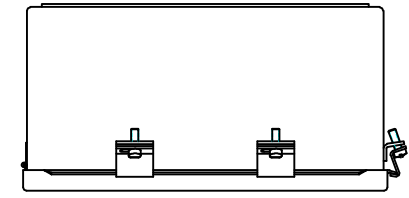
# UNCONTROLLED DRAWING

(DATA SUBJECT TO CHANGE WITHOUT NOTICE)

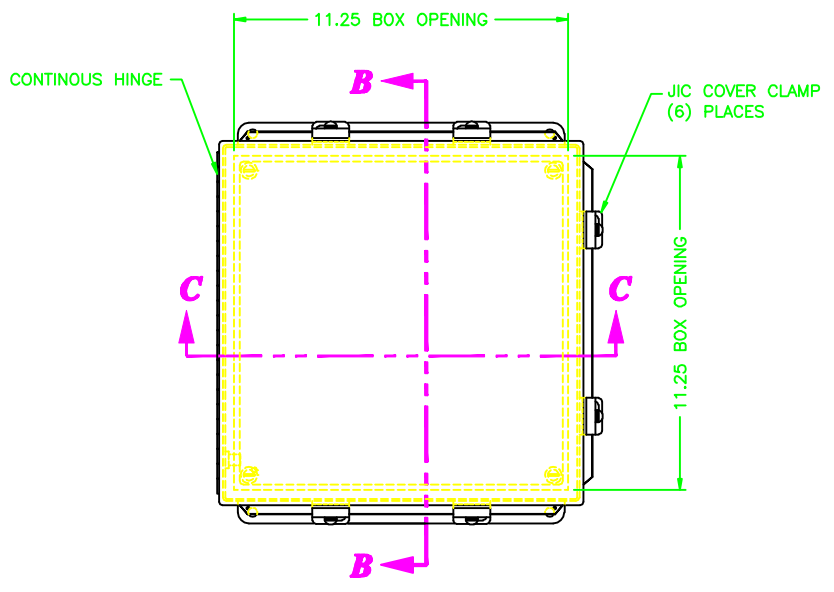
FOR ADDITIONAL HELP CONTACT ENGINEERING@ADALET.com

121206

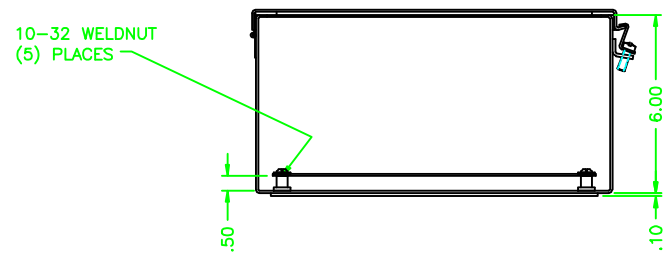
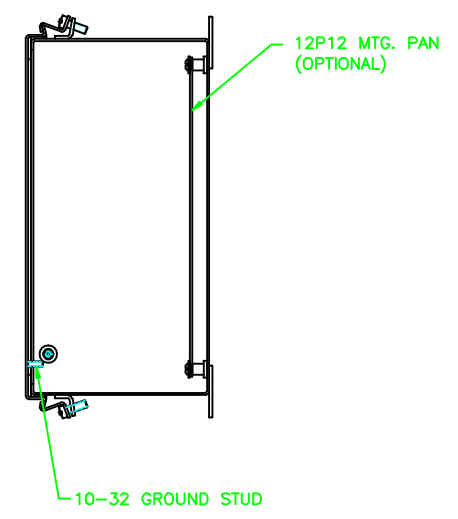
REV	REVISION	BY	BCN	DATE
A	INITIAL RELEASE	CLB		8/15/03
B	10-3/4 MTG PAN DIM WAS 10-7/8	CLB		2/23/04



**SECTION A-A**



**SECTION B-B**



**SECTION C-C**

ENCLOSURE MATERIAL	CATALOG NUMBER	PART NUMBER
SS316L	JN4XHSS6-121206	M10345
SS304	JN4XHSS-121206	M10315

<p>DO NOT SCALE DRAWING</p> <p>UNLESS OTHERWISE SPECIFIED DIMENSIONS ARE IN INCHES.</p> <p>SHEET METAL TOLERANCES NOT OTHERWISE SPECIFIED:</p> <p>FINN ± 1/16"</p> <p>JXX ± .02"</p> <p>JXX ± .010"</p> <p>ANGLES ± 0°-30"</p> <p>INSIDE BEND RADIUS = .040" NOM.</p> <p>WARPAGE = 1/16" PER FOOT</p> <p>ALL WELD SIZES ARE MIN.</p>		<p><b>ADALET</b></p> <p>A SCOTT FETZER COMPANY</p> <p>Engineering Systems • Cable Assemblies</p> <p>Customer Service 800-451-4545</p>		<p>DATE: 8/15/03</p> <p>DRAWN BY: CLB</p> <p>DATE: 8/15/03</p> <p>REV: 1=3</p> <p>DATE: 2/23/04</p> <p>REV: D</p>	
<p>NOTICE TO PERSONS RECEIVING THIS DRAWING: ADALET CLAIMS PROPRIETARY RIGHTS IN THE MATERIALS, METHODS, AND EQUIPMENT DESCRIBED HEREIN. THIS DRAWING IS ISSUED IN CONFIDENCE FOR ENGINEERING INFORMATION ONLY AND MAY NOT BE REPRODUCED OR USED TO MANUFACTURE, EITHER WHOLE OR IN PART, WITHOUT WRITTEN PERMISSION FROM ADALET. IT IS THE USER'S RESPONSIBILITY TO OBTAIN ALL NECESSARY PERMITS AND APPROVALS FROM THE APPROPRIATE AGENCIES.</p>		<p>JN4XHSS-121206 JIC ASSEMBLY</p>		<p>DWG NO: 121206</p> <p>REV: 10F1</p> <p>REV: B</p>	