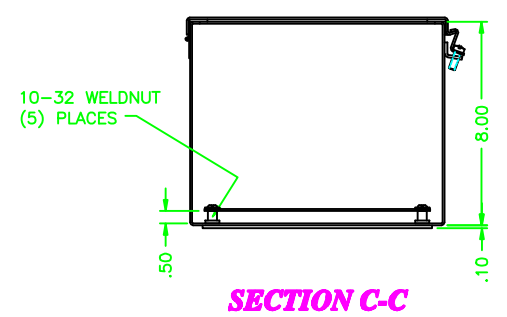
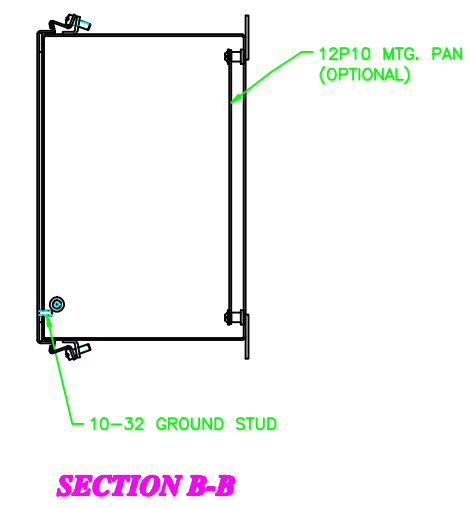
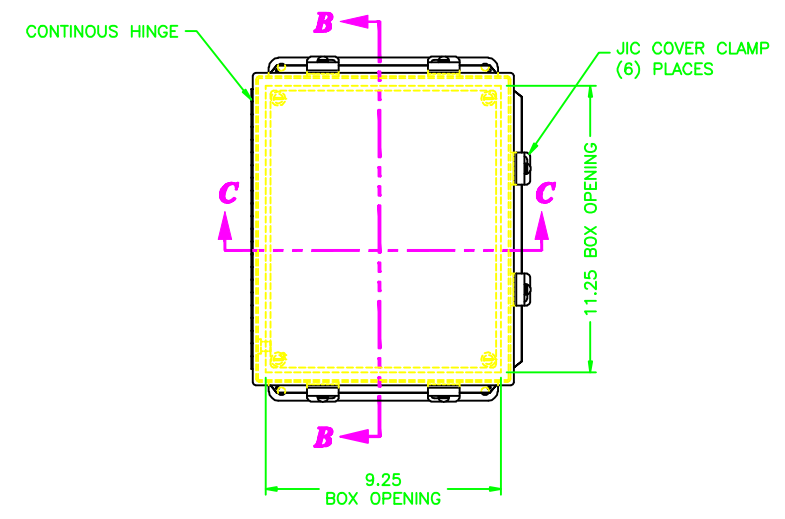
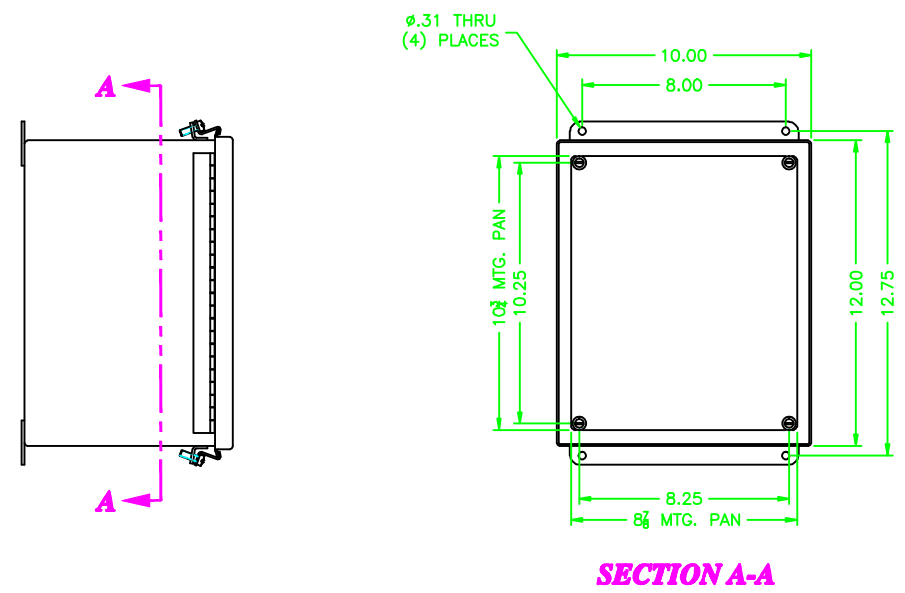
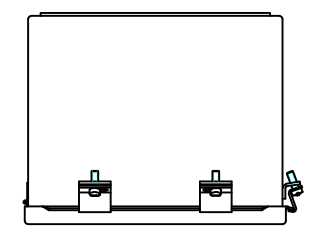


121008

REV	REVISION	BY	DCN	DATE
A	INITIAL RELEASE	CLB		8/15/03
B	10-3/4 MTG PAN DIM WAS 10-7/8	CLB		2/23/04

# UNCONTROLLED DRAWING

(DATA SUBJECT TO CHANGE WITHOUT NOTICE)  
 FOR ADDITIONAL HELP CONTACT ENGINEERING@ADALET.com



ENCLOSURE MATERIAL	CATALOG NUMBER	PART NUMBER
SS316L	JN4XHSS6-121008	M10352
SS304	JN4XHSS-121008	M10322

<p>UNLESS OTHERWISE SPECIFIED DIMENSIONS ARE IN INCHES.</p> <p>SHEET METAL TOLERANCES NOT OTHERWISE SPECIFIED:</p> <p>FINN ±.1/16"</p> <p>JIC ±.02"</p> <p>JCC ±.010"</p> <p>ANGLES ± 0°-30"</p> <p>INSIDE BEND RADIUS = .040" NOM.</p> <p>WARPAGE = 1/16" PER FOOT</p> <p>ALL WELD SIZES ARE MIN.</p>		<p><b>ADALET</b>          A SCOTT FETZER COMPANY          Enclosure Systems • Cable Accessories          General Services • 604</p>		<p>NOTICE TO PERSONS RECEIVING THIS DRAWING: ADALET CLAIMS PROPRIETARY RIGHTS IN THE MATERIALS, METHODS, AND EQUIPMENT DESCRIBED HEREIN. THIS DRAWING IS ISSUED IN CONFIDENCE FOR ENGINEERING CONSULTATION ONLY AND MAY NOT BE REPRODUCED OR USED TO MANUFACTURE, WITHOUT EXPRESS WRITTEN PERMISSION FROM ADALET TO THE USER.</p>		<p>DATE: 8/15/03</p> <p>SCALE: 1=3.5</p> <p>DRAWN BY: CLB</p> <p>APPROVAL: [Signature]</p>	
<p>ENCLOSURE MATERIAL: SS316L / SS304</p>				<p>ENCLOSURE PART NUMBER: JN4XHSS-121008</p>		<p>ENCLOSURE PART NUMBER: M10352 / M10322</p>	
<p>DO NOT SCALE DRAWING</p>		<p>DATE: 8/15/03</p>		<p>SCALE: 1=3.5</p>		<p>ENCLOSURE PART NUMBER: JN4XHSS-121008</p>	
<p>ENCLOSURE MATERIAL: SS316L / SS304</p>		<p>ENCLOSURE PART NUMBER: JN4XHSS-121008</p>		<p>ENCLOSURE PART NUMBER: M10352 / M10322</p>		<p>ENCLOSURE PART NUMBER: JN4XHSS-121008</p>	