

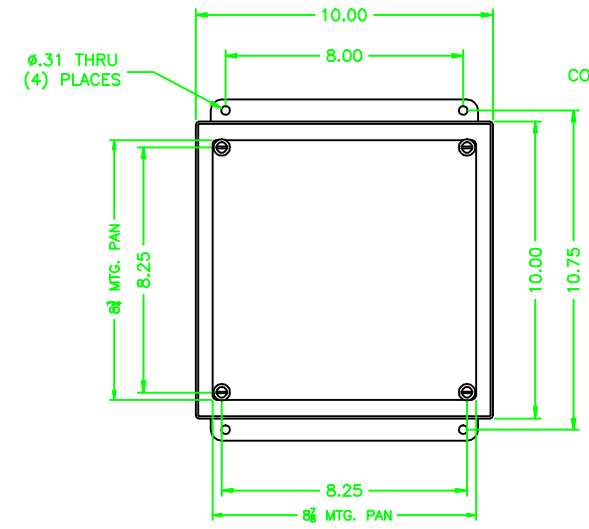
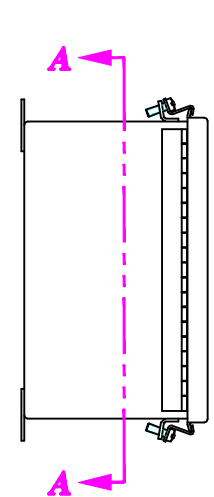
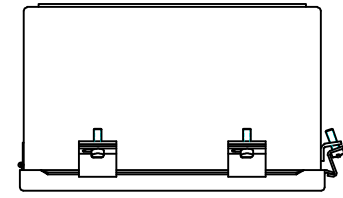
# UNCONTROLLED DRAWING

(DATA SUBJECT TO CHANGE WITHOUT NOTICE)

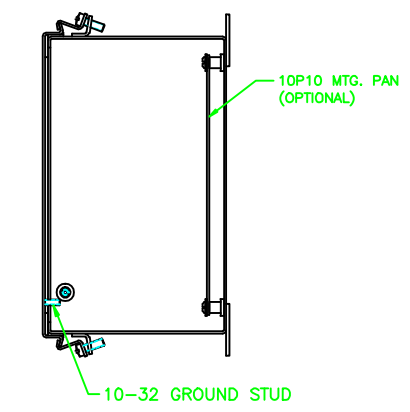
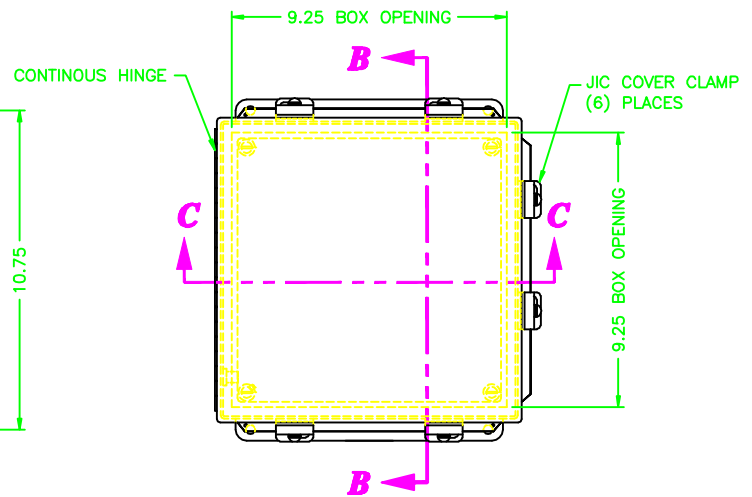
FOR ADDITIONAL HELP CONTACT ENGINEERING@ADALET.com

101006

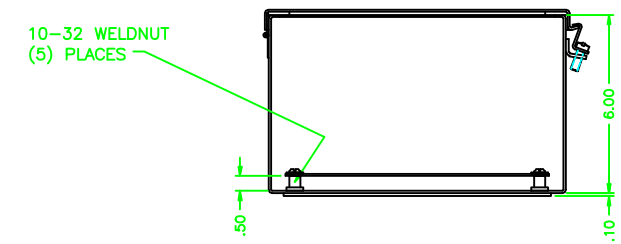
REV	REVISION	BY	DCN	DATE
A	INITIAL RELEASE	CLB		8/15/03
B	8-3/4 MTG PAN DIM WAS 8-7/8	CLB		2/23/04



**SECTION A-A**



**SECTION B-B**



**SECTION C-C**

ENCLOSURE MATERIAL	CATALOG NUMBER	PART NUMBER
SS316L	JN4XHSS6-101006	M10344
SS304	JN4XHSS-101006	M10314

<p>DO NOT SCALE DRAWING</p> <p>UNLESS OTHERWISE SPECIFIED DIMENSIONS ARE IN INCHES.</p> <p>SHEET METAL TOLERANCES: NOT OTHERWISE SPECIFIED:</p> <p>FINN ± 1/16"</p> <p>JXX ± .03"</p> <p>JXX ± .010"</p> <p>ANGLES ± 0°-30"</p> <p>INSIDE BEND RADIUS = .040" NOM.</p> <p>WARPAGE = 1/16" PER FOOT</p> <p>ALL WELD SIZES ARE MIN.</p>		<p><b>ADALET</b></p> <p>A SCOTT FETZER COMPANY</p> <p>Engineering Systems • Cable Assemblies</p> <p>Customer Service 800-451-4514</p>		<p>DATE: 8/15/03</p> <p>DRAWN BY: CLB</p> <p>DATE: 8/15/03</p> <p>REV APPR: 1=3</p> <p>DATE: 8/15/03</p> <p>REV APPR: D</p>	
<p>NOTICE TO PERSONS READING THIS DRAWING: ADALET CLAIMS PROPRIETARY RIGHTS IN THE MATERIAL INCORPORATED HEREIN. THIS DRAWING IS ISSUED IN CONFIDENCE FOR ENGINEERING INFORMATION ONLY AND MAY NOT BE REPRODUCED OR USED TO IMPLICATE, EITHER EXPRESSLY OR OTHERWISE, WITHOUT WRITTEN PERMISSION FROM ADALET TO THE USER.</p>		<p>JN4XHSS-101006 JIC ASSEMBLY</p>		<p>DWG NO: 101006</p> <p>REV: 10F1</p> <p>REV: B</p>	