

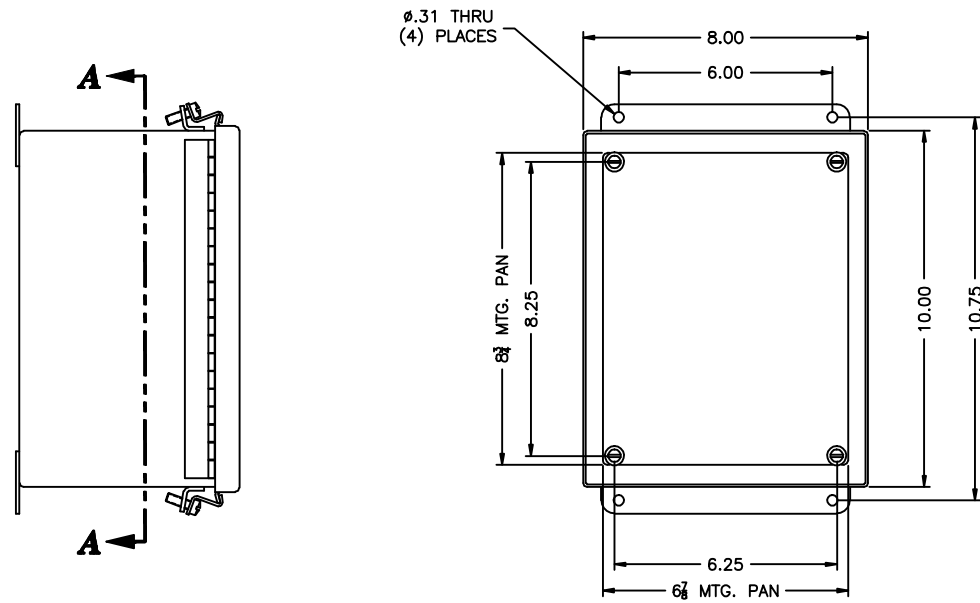
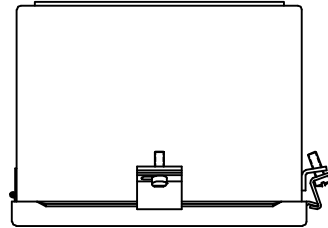
100806

REV	REVISION	BY	BCN	DATE
A	INITIAL RELEASE	CLB		8/15/03
B	8-3/4 MTG PAN DIM WAS 8-7/8	CLB		2/23/04

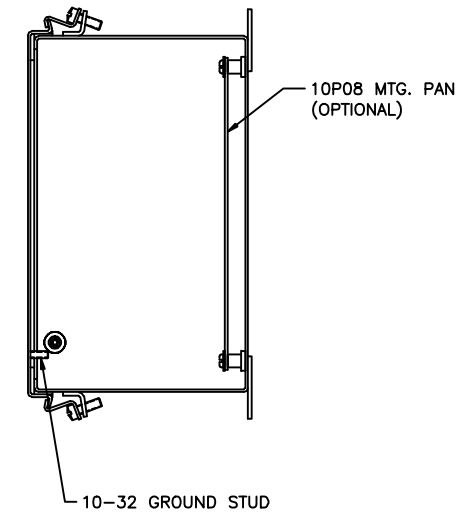
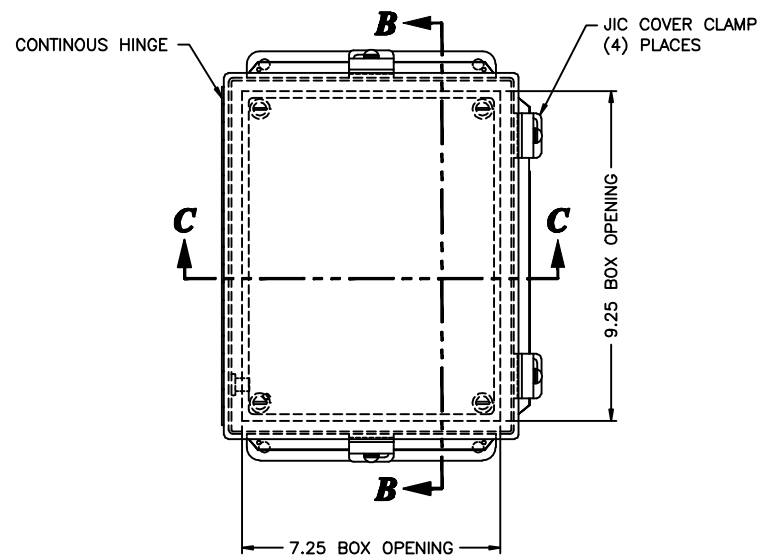
UNCONTROLLED DRAWING

(DATA SUBJECT TO CHANGE WITHOUT NOTICE)

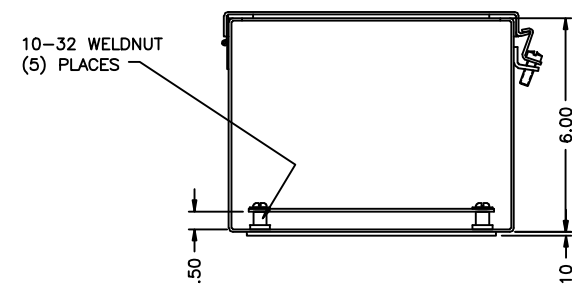
FOR ADDITIONAL HELP CONTACT ENGINEERING@ADALET.com



SECTION A-A



SECTION B-B



SECTION C-C

ENCLOSURE MATERIAL	CATALOG NUMBER	PART NUMBER
SS316L	JN4XHSS6-100806	M10343
SS304	JN4XHSS-100806	M10313

<p>UNLESS OTHERWISE SPECIFIED DIMENSIONS ARE IN INCHES.</p> <p>SHEET METAL TOLERANCES NOT OTHERWISE SPECIFIED:</p> <p>FINC ±1/16"</p> <p>JXX ±.03"</p> <p>JXX ±.010"</p> <p>ANGLES ± 0°-30"</p> <p>INSIDE BEND RADIUS = .040" NOM.</p> <p>WARPAGE = 1/16" PER FOOT</p> <p>ALL WELD SIZES ARE MIN.</p>		<p>ADALET</p> <p>A SCOTT FETZER COMPANY</p> <p>Enclosure Systems • Cable Accessories</p>		<p>TITLE: JN4XHSS-100806 JIC ASSEMBLY</p>	
<p>NOTICE TO PERSONS RECEIVING THIS DRAWING: ADALET CLAIMS PROPRIETARY RIGHTS IN THE MATERIAL ENCLOSED HEREON. THIS DRAWING IS ISSUED IN CONFIDENCE FOR ENGINEERING INFORMATION ONLY AND MAY NOT BE REPRODUCED OR USED TO MANUFACTURE, EITHER WHOLE OR PART, WITHOUT WRITTEN PERMISSION FROM ADALET TO THE USER.</p>		<p>DRAWN BY: CLB</p> <p>DATE: 8/15/03</p>	<p>APPROVAL: [Signature]</p> <p>SCALE: 1=2.5</p>	<p>DATE: [Signature]</p> <p>DATE: [Signature]</p>	<p>REV: D</p>
<p>DATE: [Signature]</p>		<p>DWG NO: 100806</p>	<p>REV: 10F1</p>	<p>REV: B</p>	