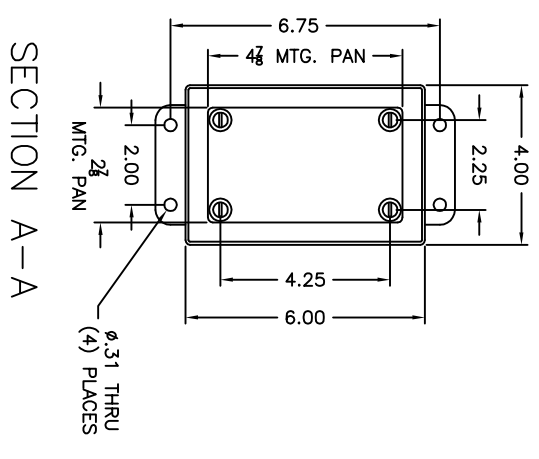
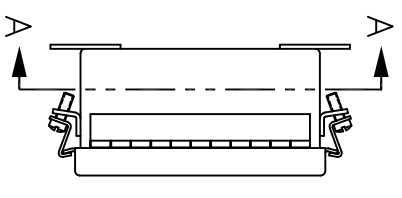
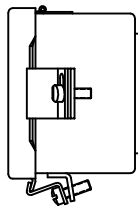


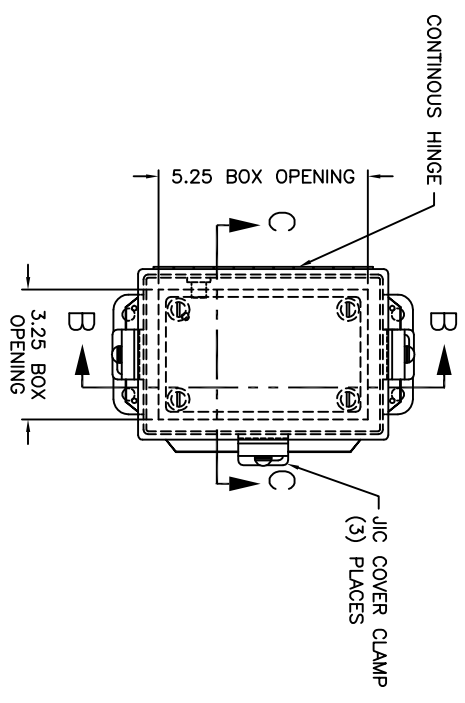
060403

UNCONTROLLED DRAWING

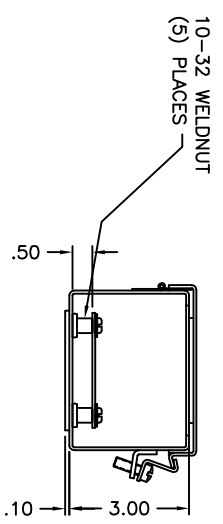
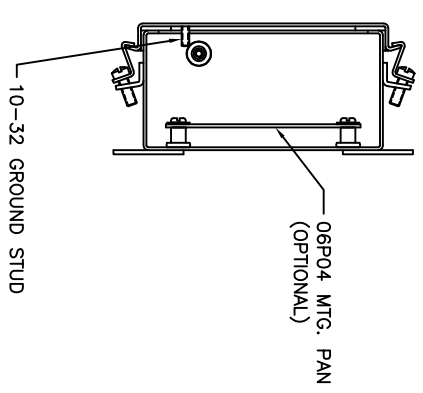
(DATA SUBJECT TO CHANGE WITHOUT NOTICE)
 FOR ADDITIONAL HELP CONTACT ENGINEERING@ADALETT.COM



SECTION A-A



SECTION B-B



SECTION C-C

ENCLOSURE MATERIAL	CATALOG NUMBER	PART NUMBER
SS316L	JN4XHSS-060403	M10331
SS304	JN4XHSS-060403	M10301

DO NOT SCALE DRAWING DIMENSIONS SHOWN IN INCHES DIMENSIONS SHOWN IN MILLIMETERS		TITLE JN4XHSS-060403 JIC ASSEMBLY	
ADVALETT A SCOTT FITZGER COMPANY Cleveland, OH 44135		DRAWN BY CLB	DATE 11/9/10
WORK TO PERSURE RESERVE THE RIGHTS IN THE WORK PROVIDED HEREIN. NO PART OF THIS WORK SHALL BE REPRODUCED OR TRANSMITTED IN ANY FORM OR BY ANY MEANS, ELECTRONIC OR MECHANICAL, INCLUDING PHOTOCOPYING, RECORDING, OR BY ANY INFORMATION STORAGE AND RETRIEVAL SYSTEM, WITHOUT THE WRITTEN PERMISSION OF ADVALETT.		CHECKED BY D	DATE 1-25
FINISH WORKMANSHIP = 1/16" PER FOOT ALL WELD SIZES ARE MIN.		PART NO. 060403	REV. 10F1 A