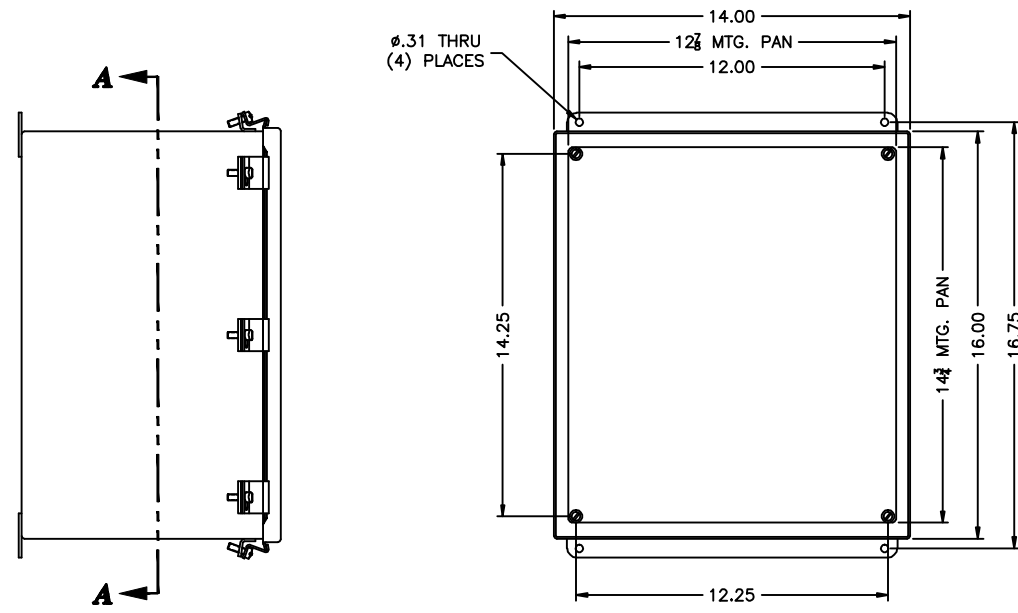
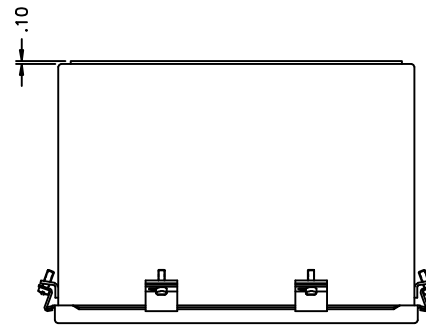


161410

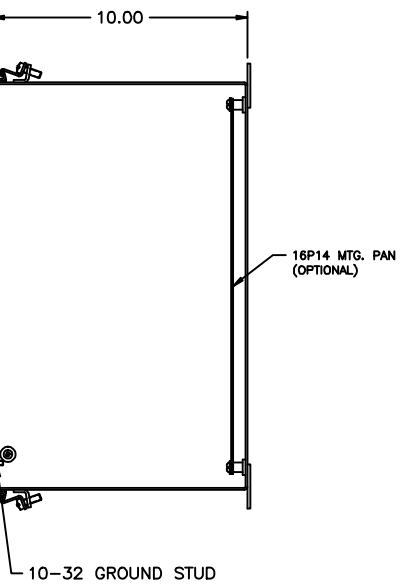
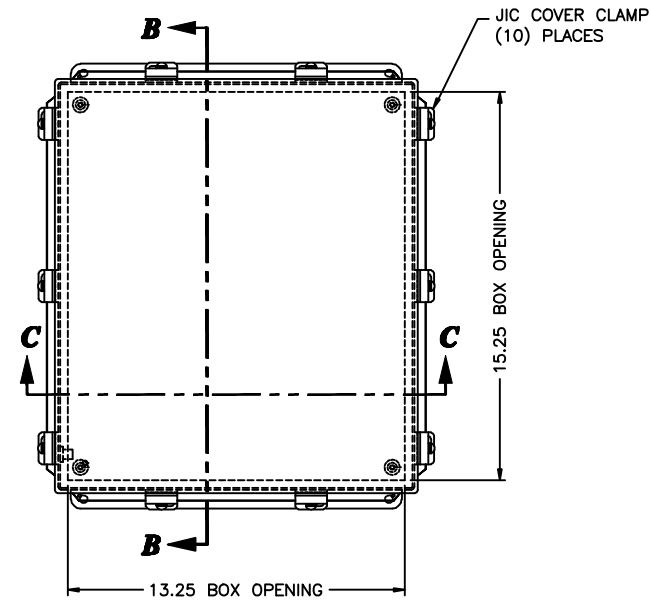
REV	REVISION	BY	BCN	DATE
A	INITIAL RELEASE	CLB		8/15/03
B	14-3/4 MTG PAN DIM WAS 14-7/8	CLB		2/23/04

UNCONTROLLED DRAWING

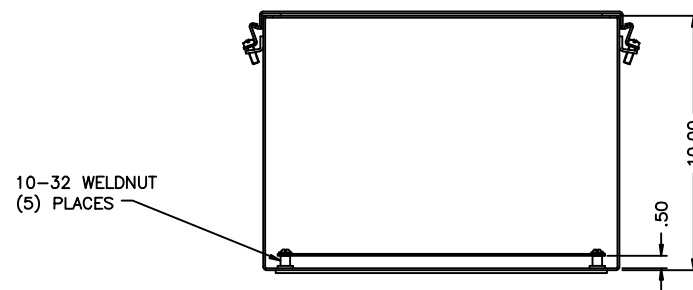
(DATA SUBJECT TO CHANGE WITHOUT NOTICE)
FOR ADDITIONAL HELP CONTACT ENGINEERING@ADALET.com



SECTION A-A



SECTION B-B



SECTION C-C

ENCLOSURE MATERIAL	CATALOG NUMBER	PART NUMBER
SS316L	JN4XSS6-161410	M10546
SS304	JN4XSS-161410	M10521

<p>UNLESS OTHERWISE SPECIFIED DIMENSIONS ARE IN INCHES.</p> <p>SHEET METAL TOLERANCES NOT OTHERWISE SPECIFIED:</p> <p>FINN ± 1/16"</p> <p>JX ± .03"</p> <p>JXX ± .010"</p> <p>ANGLES ± 0°-30"</p> <p>WARPAGE = 1/16" PER FOOT</p> <p>ALL WELD SIZES ARE MIN.</p>		<p>ADALET A SCOTT FETZER COMPANY Enclosure Systems • Cable Accessories Control Systems</p>		<p>NOTICE TO PERSONS RECEIVING THIS DRAWING: ADALET CLAIMS PROPRIETARY RIGHTS IN THE MATERIAL ENCLOSED HEREIN. THIS DRAWING IS ISSUED IN CONFIDENCE FOR ENGINEERING INFORMATION ONLY AND MAY NOT BE REPRODUCED OR USED TO MANUFACTURE, WITHOUT EXPRESS WRITTEN PERMISSION FROM ADALET TO THE USER.</p>		<p>JN4XSS6-161410 JIC ASSEMBLY</p>	
<p>DATE: 8/15/03</p>		<p>DRAWN BY: CLB</p>		<p>DATE: 8/15/03</p>			
<p>SCALE: 1=3.5</p>		<p>APPROVAL:</p>		<p>SCALE: 1=3.5</p>			
<p>DATE: 2/23/04</p>		<p>APPROVAL:</p>		<p>SCALE: D</p>			
<p>DATE: 8/15/03</p>		<p>APPROVAL:</p>		<p>SCALE: 10F1</p>			
<p>DATE: 2/23/04</p>		<p>APPROVAL:</p>		<p>SCALE: B</p>			