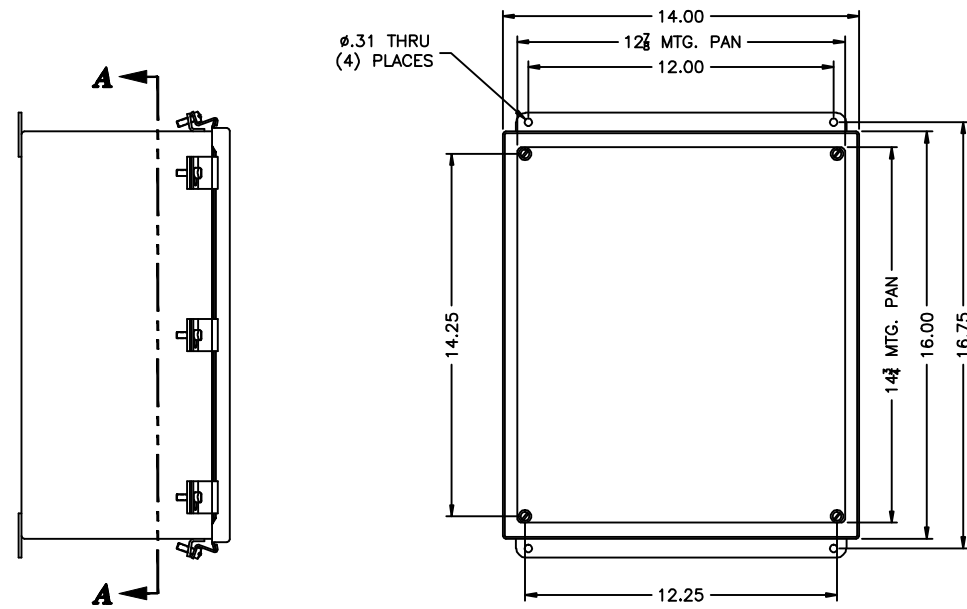
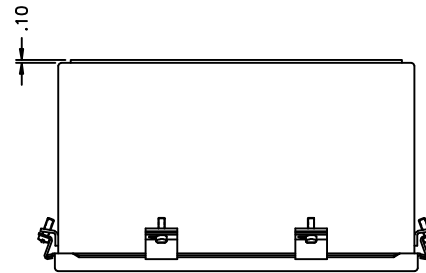


161408

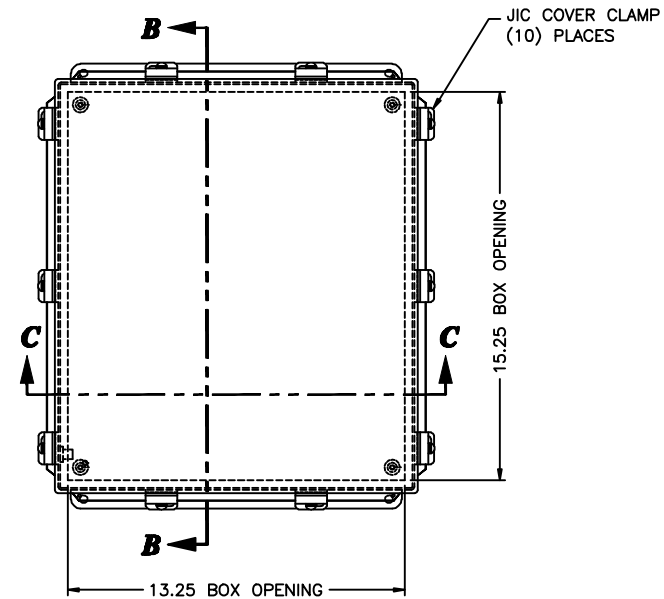
REV	REVISION	BY	BCN	DATE
A	INITIAL RELEASE	CLB		8/15/03
B	14-3/4 MTG PAN DIM WAS 14-7/8	CLB		2/23/04

UNCONTROLLED DRAWING

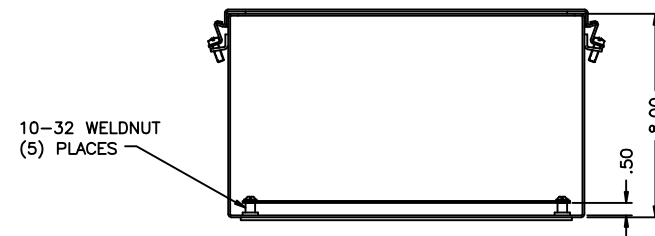
(DATA SUBJECT TO CHANGE WITHOUT NOTICE)
FOR ADDITIONAL HELP CONTACT ENGINEERING@ADALET.com



SECTION A-A



SECTION B-B



SECTION C-C

ENCLOSURE MATERIAL	CATALOG NUMBER	PART NUMBER
SS316L	JN4XSS6-161408	M10545
SS304	JN4XSS-161408	M10520

DO NOT SCALE DRAWING		UNLESS OTHERWISE SPECIFIED DIMENSIONS ARE IN INCHES.		SHEET METAL TOLERANCES NOT OTHERWISE SPECIFIED:	
FINISH	SS316L	FRAM	±1/16"	NOTICE TO PERSONS RECEIVING THIS DRAWING:	ADALET CLAIMS PROPRIETARY RIGHTS IN THE MATERIALS, METHODS, AND EQUIPMENT USED IN THE DESIGN AND MANUFACTURE OF THIS PRODUCT. NO PART OF THIS DRAWING OR THE INFORMATION CONTAINED HEREIN IS TO BE REPRODUCED OR TRANSMITTED IN ANY FORM OR BY ANY MEANS, ELECTRONIC OR MECHANICAL, INCLUDING PHOTOCOPYING, RECORDING, OR BY ANY INFORMATION STORAGE AND RETRIEVAL SYSTEM, WITHOUT THE WRITTEN PERMISSION OF ADALET.
WARRANTY	1/16" PER FOOT	WARRANTY	1/16" PER FOOT	DATE	8/15/03
WELDING	1/16" PER FOOT	WELDING	1/16" PER FOOT	SCALE	1=3.5
WELDING	1/16" PER FOOT	WELDING	1/16" PER FOOT	REV	D
WELDING	1/16" PER FOOT	WELDING	1/16" PER FOOT	REV	10F1
WELDING	1/16" PER FOOT	WELDING	1/16" PER FOOT	REV	B

TITLE		DRAWN BY		DATE	
JN4XSS6-161408 JIC ASSEMBLY		CLB		8/15/03	
APPROVED BY		DATE		SCALE	
				1=3.5	
DWG NO		REV		REV	
161408		10F1		B	