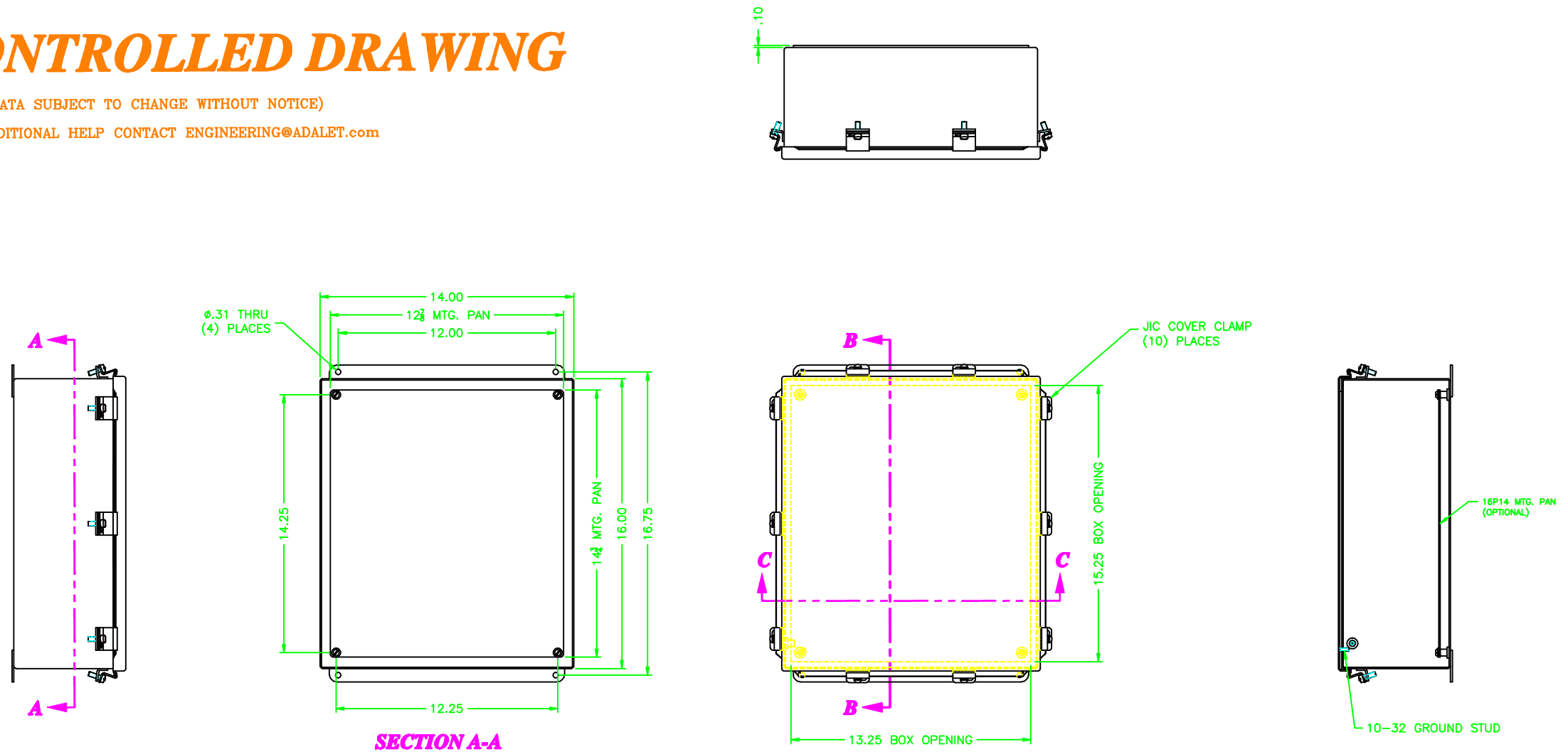


161406

REV	REVISION	BY	BCN	DATE
A	INITIAL RELEASE	CLB		8/15/03
B	14-3/4 MTG PAN DIM BWS 14-7/B	CLB		2/23/04

# UNCONTROLLED DRAWING

(DATA SUBJECT TO CHANGE WITHOUT NOTICE)  
 FOR ADDITIONAL HELP CONTACT ENGINEERING@ADALET.com



ENCLOSURE MATERIAL	CATALOG NUMBER	PART NUMBER
SS316L	JN4XSS6-161406	M10542
SS304	JN4XSS-161406	M10517

<p>DO NOT SCALE DRAWING</p> <p>UNLESS OTHERWISE SPECIFIED DIMENSIONS ARE IN INCHES.</p> <p>SHEET METAL TOLERANCES NOT OTHERWISE SPECIFIED:</p> <p>FINC ±1/16"</p> <p>JIC ±.02"</p> <p>JOC ±.010"</p> <p>ANGLES ± 0°-30"</p> <p>INSIDE BEND RADIUS = .040" NOM.</p> <p>WARPAGE = 1/16" PER FOOT</p> <p>ALL WELD SIZES ARE MIN.</p>		<p><b>ADALET</b></p> <p>A SCOTT FETZER COMPANY</p> <p>Engineers Systems • Cable Assemblies</p> <p>CONTRACTORS</p>		<p>DATE: 8/15/03</p> <p>SCALE: 1=3.5</p> <p>DWG NO: 161406</p> <p>SHEET: 10F1</p> <p>REV: B</p>	
<p>NOTICE TO PERSONS READING THIS DRAWING: ADALET CLAIMS PROPRIETARY RIGHTS IN THE MATERIAL INCORPORATED HEREIN. THIS DRAWING IS ISSUED IN CONFIDENCE FOR ENGINEERING INFORMATION ONLY AND MAY NOT BE REPRODUCED OR USED TO MANUFACTURE, EITHER WHOLE OR PART, WITHOUT WRITTEN PERMISSION FROM ADALET TO THE USER.</p>		<p>DRAWN BY: CLB</p> <p>APP'D BY: [Signature]</p> <p>DATE: 8/15/03</p> <p>SCALE: 1=3.5</p> <p>DWG NO: 161406</p> <p>SHEET: 10F1</p> <p>REV: B</p>		<p>JN4XSS-161406 JIC ASSEMBLY</p>	