

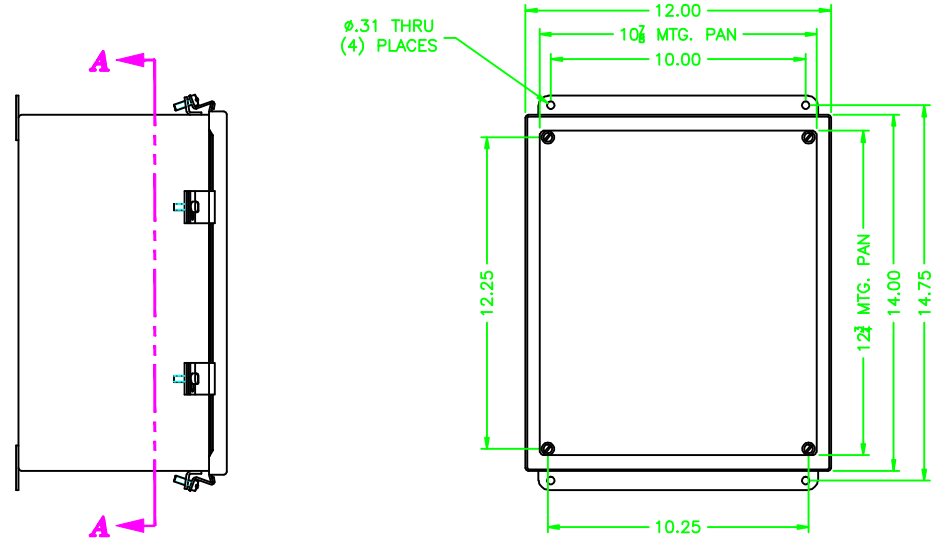
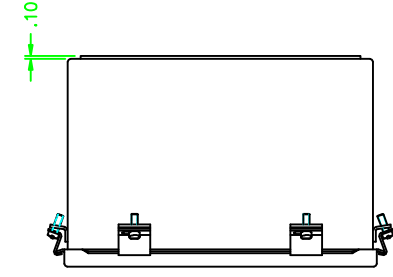
UNCONTROLLED DRAWING

(DATA SUBJECT TO CHANGE WITHOUT NOTICE)

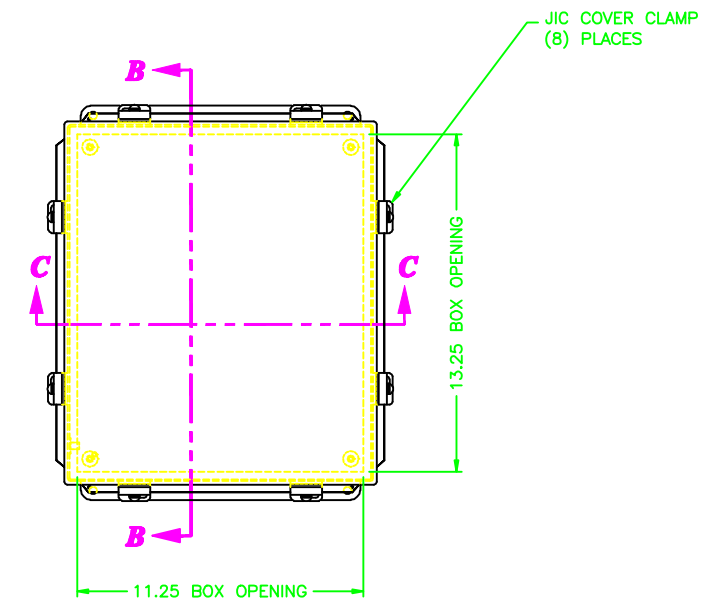
FOR ADDITIONAL HELP CONTACT ENGINEERING@ADALET.com

141208

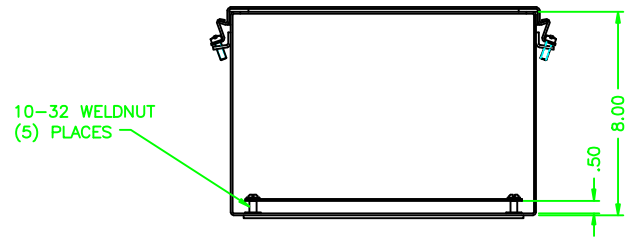
REV	REVISION	BY	DCN	DATE
A	INITIAL RELEASE	CLB		8/15/03
B	12-3/4 MTG PAN DIM WAS 12-7/8	CLB		2/23/04



SECTION A-A



SECTION B-B



SECTION C-C

ENCLOSURE MATERIAL	CATALOG NUMBER	PART NUMBER
SS316L	JN4XSS6-141208	M10544
SS304	JN4XSS-141208	M10519

<p>DO NOT SCALE DRAWING</p> <p>UNLESS OTHERWISE SPECIFIED DIMENSIONS ARE IN INCHES.</p> <p>SHEET METAL TOLERANCES NOT OTHERWISE SPECIFIED:</p> <p>FINN ± 1/16"</p> <p>JXX ± .02"</p> <p>JXX ± .010"</p> <p>ANGLES ± 0°-30"</p> <p>INSIDE BEND RADIUS = .040" NOM.</p> <p>WARPAGE = 1/16" PER FOOT</p> <p>ALL WELD SIZES ARE MIN.</p>		<p>ADALET</p> <p>A SCOTT FETZER COMPANY</p> <p>Engineers Systems • Cable Assemblies</p> <p>General Contractors • Welding</p>		<p>NOTICE TO PERSONS READING THIS DRAWING: UNLESS OTHERWISE SPECIFIED, THE DRAWING IS ISSUED IN CONFORMANCE WITH THE AMERICAN NATIONAL STANDARD FOR ENGINEERING DRAWINGS AND MAY NOT BE REPRODUCED OR USED TO MANUFACTURE WITHOUT WRITTEN PERMISSION FROM ADALET. IT IS THE USER'S RESPONSIBILITY TO OBTAIN WRITTEN PERMISSION FROM ADALET IF THE USER WISHES TO REPRODUCE OR USE THIS DRAWING FOR ANY OTHER PURPOSE.</p>		<p>JN4XSS-141208 JIC ASSEMBLY</p>	
<p>DATE: 8/15/03</p> <p>DRAWN BY: CLB</p> <p>APPROVAL: 1=3.5</p> <p>DATE: 8/15/03</p> <p>APPROVAL: D</p>		<p>DWG NO: 141208</p> <p>SHEET: 10F1</p> <p>REV: B</p>					