

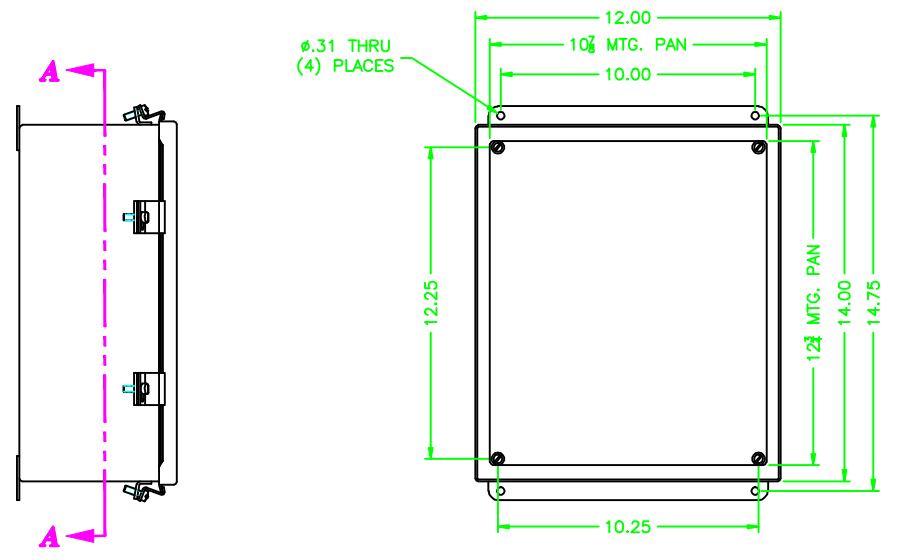
141206

REV	REVISION	BY	BCN	DATE
A	INITIAL RELEASE	CLB		8/15/03
B	12-3/4 MTG PAN DIM WAS 12-7/8	CLB		2/23/04

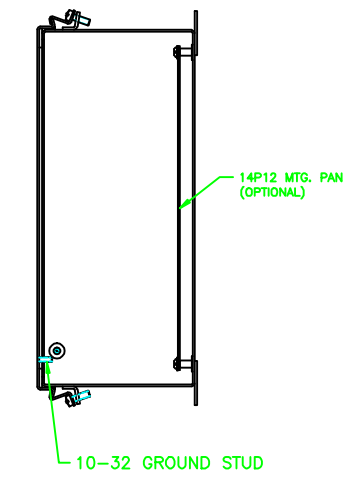
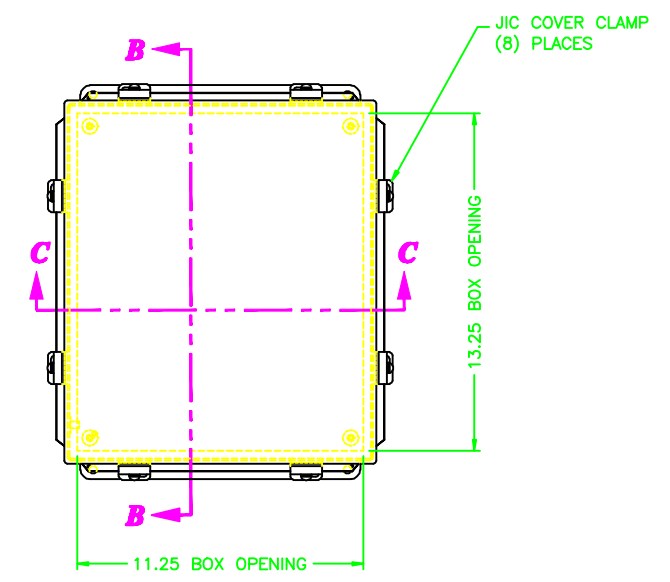
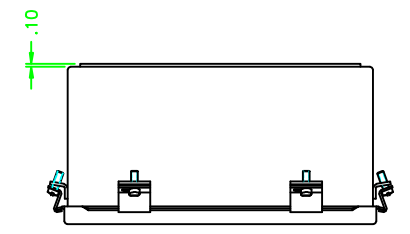
UNCONTROLLED DRAWING

(DATA SUBJECT TO CHANGE WITHOUT NOTICE)

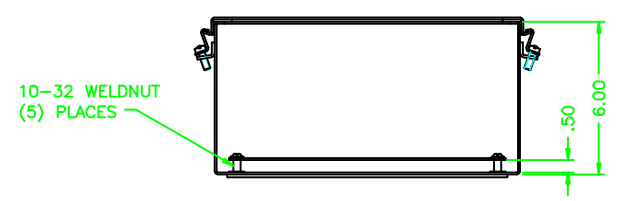
FOR ADDITIONAL HELP CONTACT ENGINEERING@ADALET.com



SECTION A-A



SECTION B-B



SECTION C-C

ENCLOSURE MATERIAL	CATALOG NUMBER	PART NUMBER
SS316L	JN4XSS6-141206	M10540
SS304	JN4XSS-141206	M10515

<p>DO NOT SCALE DRAWING</p> <p>UNLESS OTHERWISE SPECIFIED DIMENSIONS ARE IN INCHES.</p> <p>SHEET METAL TOLERANCES NOT OTHERWISE SPECIFIED:</p> <p>FINN ± 1/16"</p> <p>JXX ± .03"</p> <p>JXX ± .010"</p> <p>ANGLES ± 0°-30"</p> <p>INSIDE BEND RADIUS = .040" NOM.</p> <p>WARPAGE = 1/16" PER FOOT</p> <p>ALL WELD SIZES ARE MIN.</p>		<p>ADALET</p> <p>A SCOTT PETER COMPANY</p> <p>Enclosure Systems • Cable Accessories</p>		<p>NOTES</p> <p>JN4XSS-141206 JIC ASSEMBLY</p>	
<p>NOTICE TO PERSONS RECEIVING THIS DRAWING: ADALET CLAIMS PROPRIETARY RIGHTS IN THE MATERIALS INCORPORATED HEREIN. THIS DRAWING IS ISSUED IN CONFIDENCE FOR ENGINEERING INFORMATION ONLY AND MAY NOT BE REPRODUCED OR USED TO MANUFACTURE, WITHOUT EXPRESS WRITTEN PERMISSION FROM ADALET TO THE USER.</p>		<p>DATE: 8/15/03</p> <p>DRAWN BY: CLB</p> <p>APPROVAL: 1=3.5</p> <p>DATE: 8/15/03</p> <p>APPROVAL: D</p>		<p>DATE: 8/15/03</p> <p>BY: CLB</p> <p>DATE: 2/23/04</p> <p>BY: CLB</p>	
<p>FIGURE NO.</p> <p>REV</p>		<p>FIGURE NO.</p> <p>REV</p>		<p>FIGURE NO.</p> <p>REV</p>	
<p>141206</p> <p>10F1</p>		<p>141206</p> <p>10F1</p>		<p>141206</p> <p>10F1</p>	