

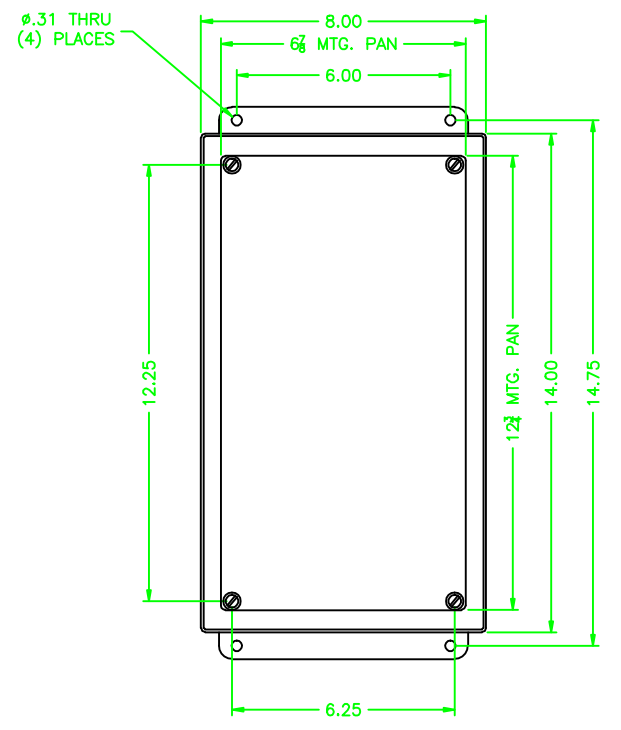
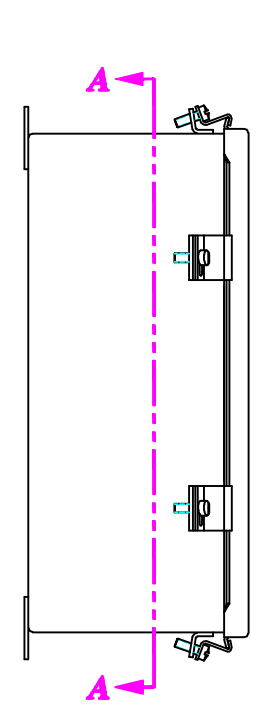
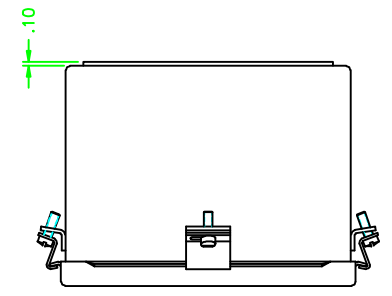
UNCONTROLLED DRAWING

(DATA SUBJECT TO CHANGE WITHOUT NOTICE)

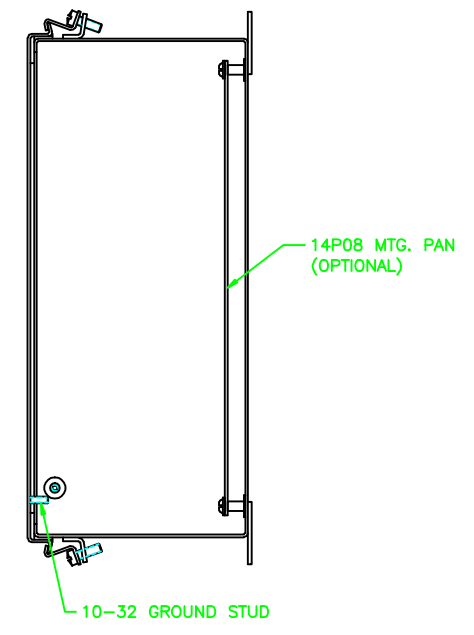
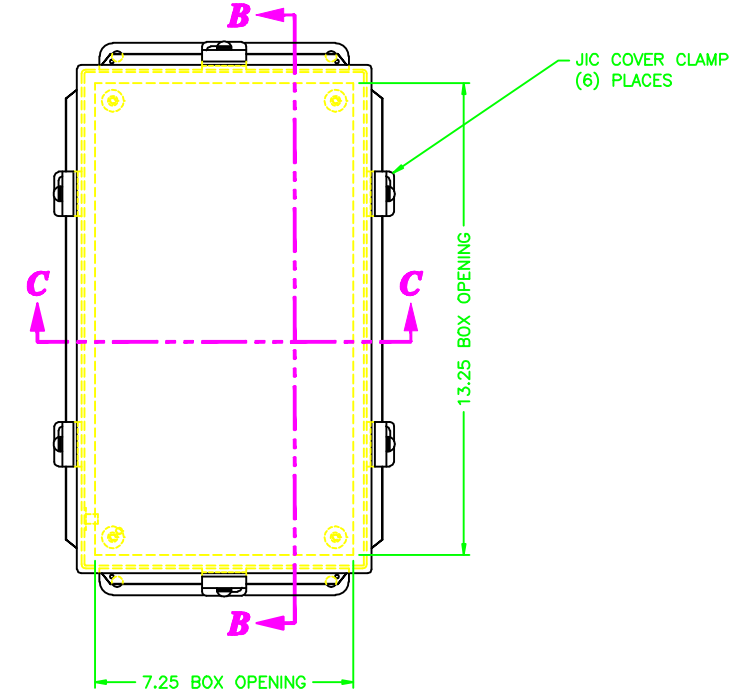
FOR ADDITIONAL HELP CONTACT ENGINEERING@ADALET.com

140806

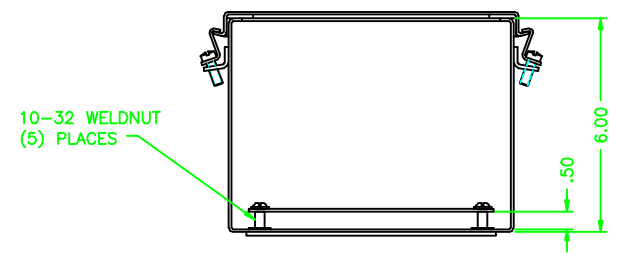
REV	REVISION	BY	BCN	DATE
A	INITIAL RELEASE	CLB		8/15/03
B	12-3/4 MTG PAN DIM WAS 12-7/8	CLB		2/23/04



SECTION A-A



SECTION B-B



SECTION C-C

ENCLOSURE MATERIAL	CATALOG NUMBER	PART NUMBER
SS316L	JN4XSS6-140806	M10539
SS304	JN4XSS-140806	M10514

<p>ADALET A SCOTT FETZER COMPANY Radiation Systems • Cable Assemblies General Services • 688</p>		<p>NOTE: JN4XSS-140806 JIC ASSEMBLY</p>	
<p>UNLESS OTHERWISE SPECIFIED DIMENSIONS ARE IN INCHES. SHEET METAL TOLERANCES NOT OTHERWISE SPECIFIED: FINN ±.116" JIC ±.03" JICX ±.010" ANGLES ± 0°-30" INSIDE BEND RADIUS = .040" NOM. WARPAGE = 1/16" PER FOOT ALL WELD SIZES ARE MIN.</p>	<p>NOTICE TO PERSONS RECEIVING THIS DRAWING: ADALET CLAIMS PROPRIETARY RIGHTS IN THE MATERIALS INCORPORATED HEREIN. THIS DRAWING IS ISSUED IN CONFIDENCE FOR ENGINEERING INFORMATION ONLY AND MAY NOT BE REPRODUCED OR USED TO MANUFACTURE, EITHER WHOLE OR IN PART, WITHOUT WRITTEN PERMISSION FROM ADALET IN THE USA.</p>	<p>DRAWN BY: CLB DATE: 8/15/03 APP. APPROVAL: [Signature] DATE: [Blank] APP. APPROVAL: [Signature] DATE: [Blank] MFG. NO: 140806 REV: 10F1</p>	<p>DATE: [Blank] REV: [Blank]</p>