

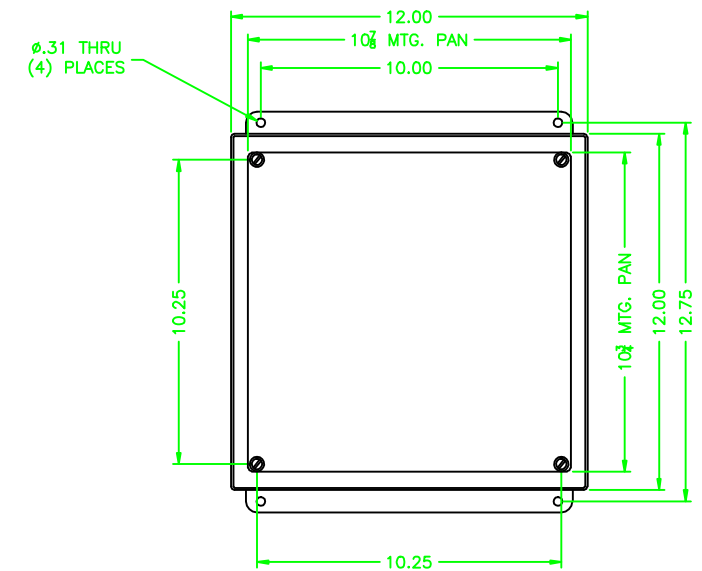
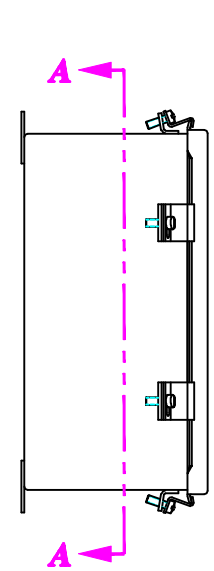
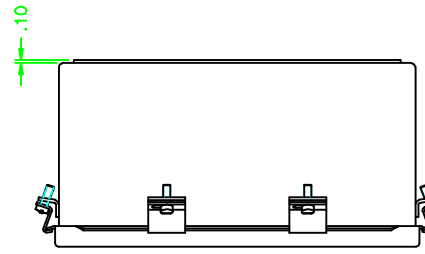
# UNCONTROLLED DRAWING

(DATA SUBJECT TO CHANGE WITHOUT NOTICE)

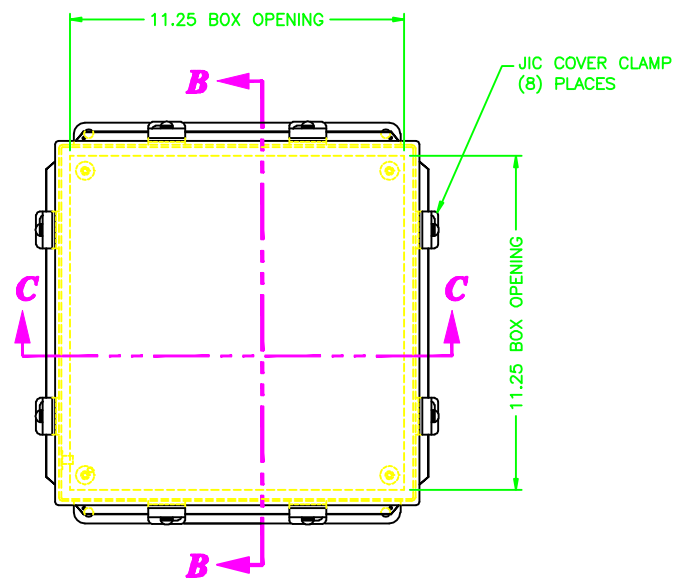
FOR ADDITIONAL HELP CONTACT ENGINEERING@ADALET.com

| REV | REVISION                      | BY  | BCN | DATE    |
|-----|-------------------------------|-----|-----|---------|
| A   | INITIAL RELEASE               | CLB |     | 8/15/03 |
| B   | 10-3/4 MTG PAN DIM WAS 10-7/8 | CLB |     | 2/23/04 |

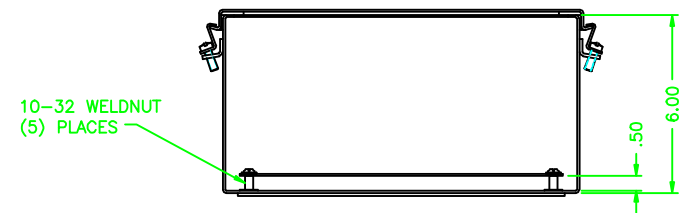
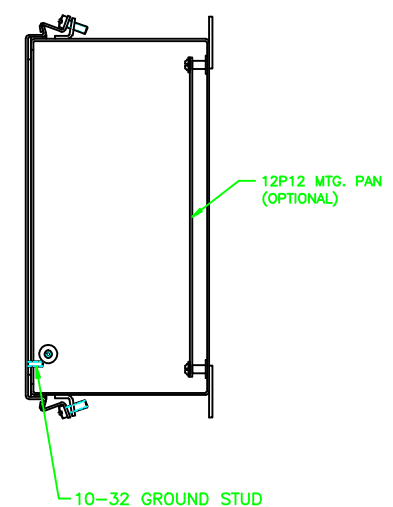
121206



**SECTION A-A**



**SECTION B-B**



**SECTION C-C**

| ENCLOSURE MATERIAL | CATALOG NUMBER | PART NUMBER |
|--------------------|----------------|-------------|
| SS316L             | JN4XSS6-121206 | M10538      |
| SS304              | JN4XSS-121206  | M10513      |

|  |  |   |  |
|--|--|---|--|
| <p>DO NOT SCALE DRAWING</p> <p>UNLESS OTHERWISE SPECIFIED DIMENSIONS ARE IN INCHES.</p> <p>SHEET METAL TOLERANCES NOT OTHERWISE SPECIFIED:</p> <p>FINN ± 1/16"</p> <p>JIC ± .02"</p> <p>JOX ± .010"</p> <p>ANGLES ± 0°-30"</p> <p>INSIDE BEND RADIUS = .040" NOM.</p> <p>WARPAGE = 1/16" PER FOOT</p> <p>ALL WELD SIZES ARE MIN.</p> |  | <p><b>ADALET</b></p> <p>A SCOTT FETZER COMPANY</p> <p>Engineering Systems • Cable Assemblies</p> <p>Customer Service 800-451-4514</p> | <p>NOTICE TO PERSONS READING THIS DRAWING:</p> <p>ADALET CLAIMS PROPRIETARY RIGHTS IN THE MATERIAL INCLOSED HEREIN. THIS DRAWING IS ISSUED IN CONFIDENCE FOR ENGINEERING INFORMATION ONLY AND MAY NOT BE REPRODUCED OR USED TO MANUFACTURE, EITHER WHOLE OR PART, WITHOUT DIRECT WRITTEN PERMISSION FROM ADALET IS THE USER.</p> <p>DATE: 8/15/03</p> <p>DRAWN BY: CLB</p> <p>DATE: 8/15/03</p> <p>REVISED BY: [blank]</p> <p>DATE: [blank]</p> <p>APPROVED BY: [blank]</p> <p>DATE: [blank]</p> <p>SCALE: 1=3</p> <p>DWG NO: 121206</p> <p>SHEET: 10F1</p> <p>TOTAL SHEETS: B</p> |
|--|--|---|--|