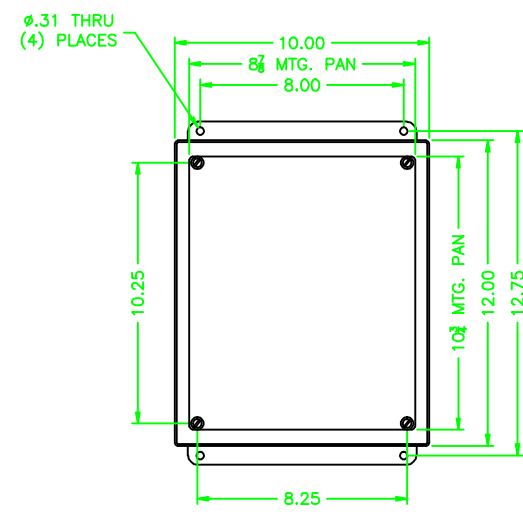
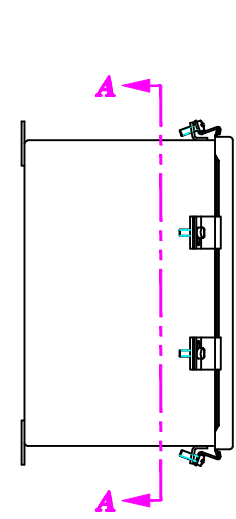
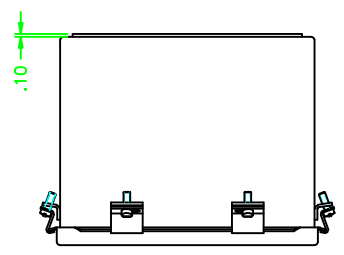


# UNCONTROLLED DRAWING

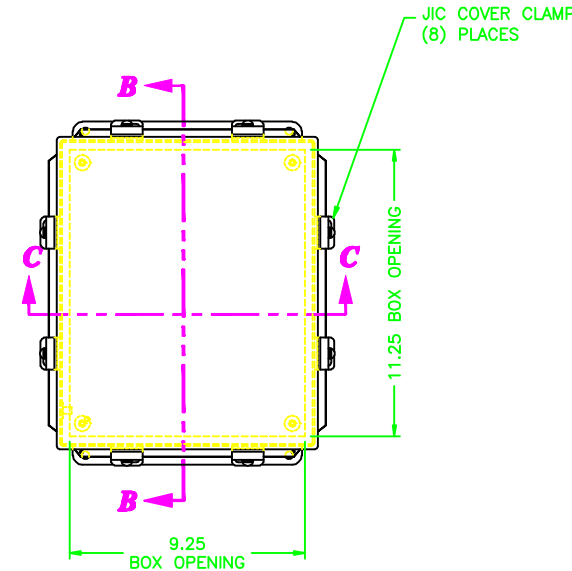
(DATA SUBJECT TO CHANGE WITHOUT NOTICE)  
FOR ADDITIONAL HELP CONTACT ENGINEERING@ADALET.com

121008

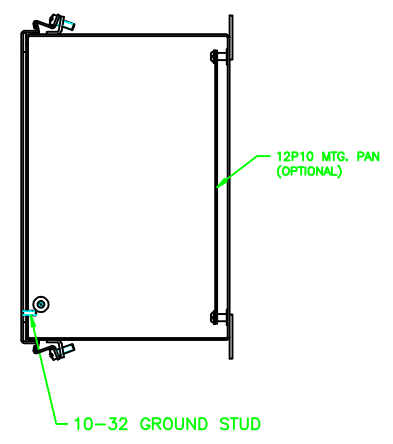
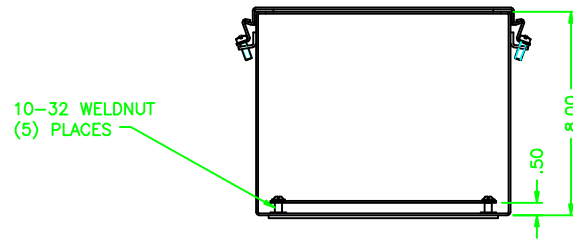
REV	REVISION	BY	BCN	DATE
A	INITIAL RELEASE	CLB		8/16/03
B	10-3/4 MTG PAN DIM WAS 10-7/8	CLB		2/23/04



**SECTION A-A**



**SECTION C-C**



**SECTION B-B**

ENCLOSURE MATERIAL	CATALOG NUMBER	PART NUMBER
SS316L	JN4XSS6-121008	M10543
SS304	JN4XSS-121008	M10518

<p>DO NOT SCALE DRAWING</p> <p>UNLESS OTHERWISE SPECIFIED DIMENSIONS ARE IN INCHES.</p> <p>SHEET METAL TOLERANCES NOT OTHERWISE SPECIFIED:</p> <p>FINN ±.1/16"</p> <p>JIC ±.02"</p> <p>JCC ±.010"</p> <p>ANGLES ± 0°-30"</p> <p>INSIDE BEND RADIUS = .040" NOM.</p> <p>WARPAGE = 1/16" PER FOOT</p> <p>ALL WELD SIZES ARE MIN.</p>		<p><b>ADALET</b></p> <p>A SCOTT FETZER COMPANY</p> <p>Enclosure Systems • Cable Accessories</p> <p>General Services • 604</p>	<p>DATE: 8/15/03</p> <p>DRAWN BY: CLB</p> <p>REV APPRVAL: 1=3.5</p> <p>DATE: 8/15/03</p> <p>REV APPRVAL: D</p> <p>DATE: 8/15/03</p> <p>REV APPRVAL: B</p>
<p>NOTICE TO PERSONS RECEIVING THIS DRAWING: ADALET CLAIMS PROPRIETARY RIGHTS IN THE MATERIALS, METHODS, AND EQUIPMENT DESCRIBED HEREIN. THIS DRAWING IS ISSUED IN CONFIDENCE FOR ENGINEERING INFORMATION ONLY AND MAY NOT BE REPRODUCED OR USED TO MANUFACTURE, WITHOUT EXPRESS WRITTEN PERMISSION FROM ADALET TO THE USER.</p>		<p>JN4XSS-121008 JIC ASSEMBLY</p> <p>121008 10F1 B</p>	