

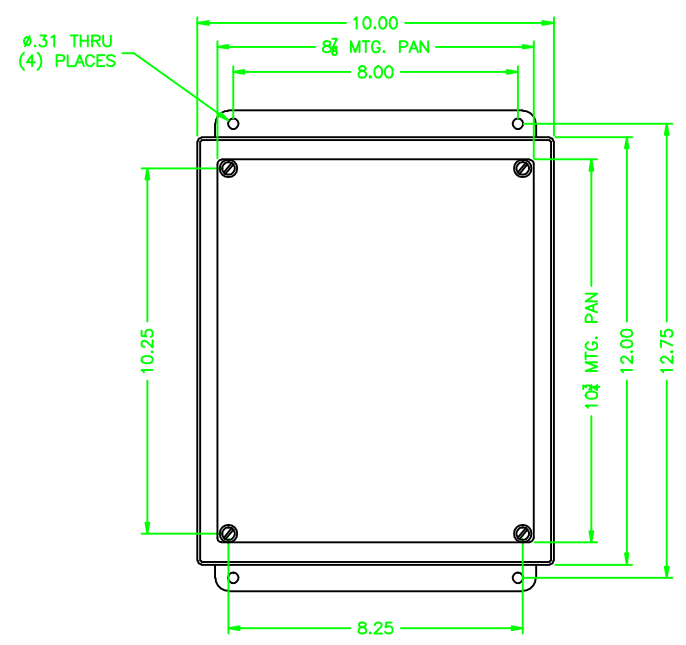
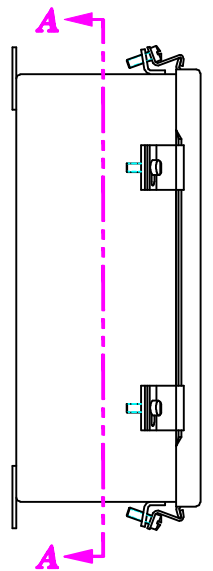
121005

REV	REVISION	BY	DCN	DATE
A	INITIAL RELEASE	CLB		8/15/03
B	10-3/4 MTG PAN DIM RWS 10-7/8	CLB		2/23/04

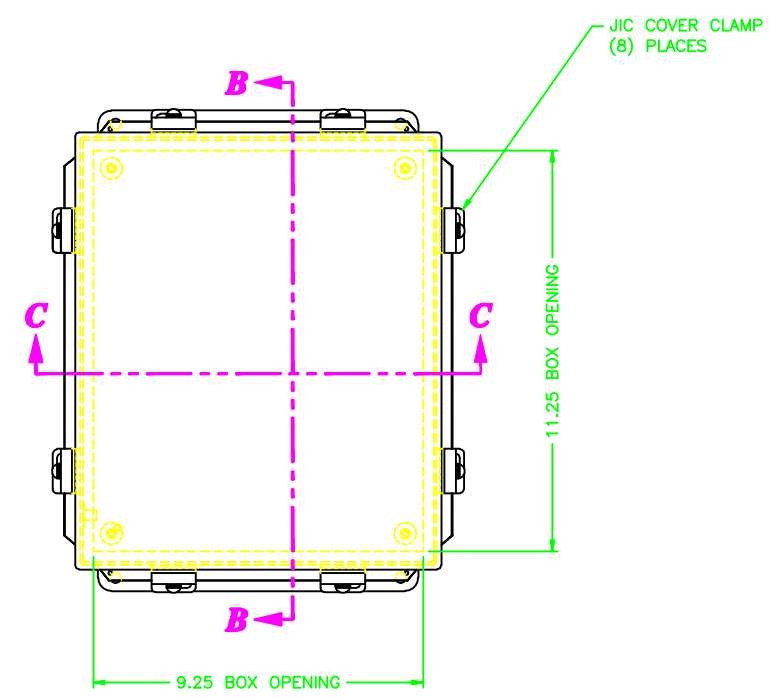
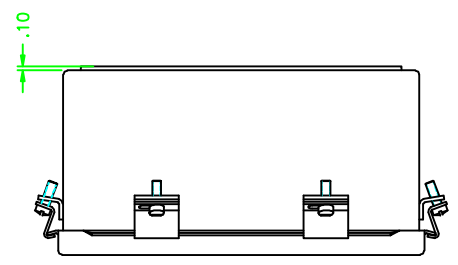
UNCONTROLLED DRAWING

(DATA SUBJECT TO CHANGE WITHOUT NOTICE)

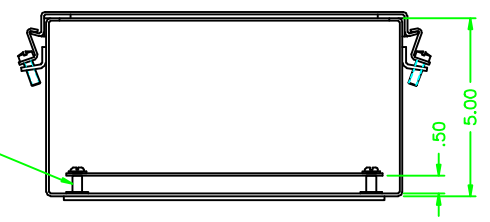
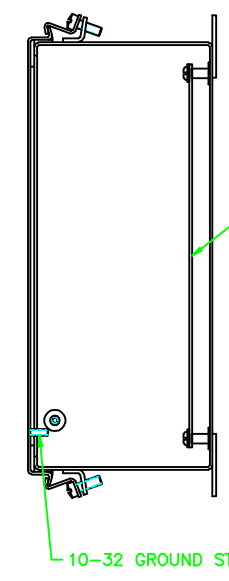
FOR ADDITIONAL HELP CONTACT ENGINEERING@ADALET.com



SECTION A-A



SECTION B-B



SECTION C-C

ENCLOSURE MATERIAL	CATALOG NUMBER	PART NUMBER
SS316L	JN4XSS6-121005	M10523
SS304	JN4XSS-121005	M10497

<p>DO NOT SCALE DRAWING</p> <p>UNLESS OTHERWISE SPECIFIED DIMENSIONS ARE IN INCHES.</p> <p>SHEET METAL TOLERANCES NOT OTHERWISE SPECIFIED:</p> <p>FINC ±1/16"</p> <p>JOK ±.03"</p> <p>JOK ±.010"</p> <p>ANGLES ± 0°-30"</p> <p>INSIDE BEND RADIUS = .040" NOM.</p> <p>WARPAGE = 1/16" PER FOOT</p> <p>ALL WELD SIZES ARE MIN.</p>		<p>ADALET</p> <p>A SCOTT FETZER COMPANY</p> <p>Engineering Systems • Cable Assemblies</p> <p>Customer Service • 800-451-4510</p>		<p>NOTE: JN4XSS-121005 JIC ASSEMBLY</p>	
<p>NOTICE TO PERSONS READING THIS DRAWING: ADALET CLAIMS PROPRIETARY RIGHTS IN THE MATERIAL INCLOSED HEREIN. THIS DRAWING IS ISSUED IN CONFIDENCE FOR ENGINEERING INFORMATION ONLY AND MAY NOT BE REPRODUCED OR USED TO IMPLICATE, EITHER EXPRESS OR IMPLIED, WITHOUT WRITTEN PERMISSION FROM ADALET IS THE USER.</p>		<p>DRAWN BY: CLB</p> <p>DATE: 8/15/03</p> <p>APP'D APPROVAL: [Signature]</p> <p>SCALE: 1=2.5</p> <p>DATE: [Signature]</p> <p>REV: D</p>		<p>DWG NO: 121005</p> <p>SHEET: 10F1</p> <p>REV: B</p>	