

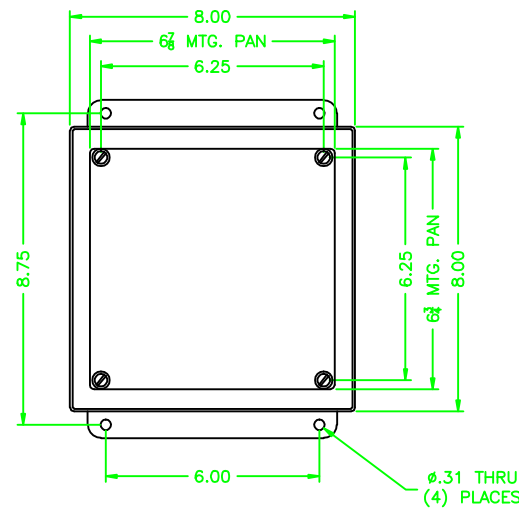
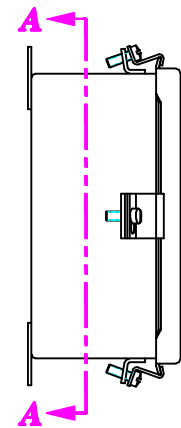
REV	REVISION	BY	BCN	DATE
A	INITIAL RELEASE	CLB		8/16/03
B	6-3/4 MTC PAN DIM WAS 6-7/8	CLB		2/23/04

080804

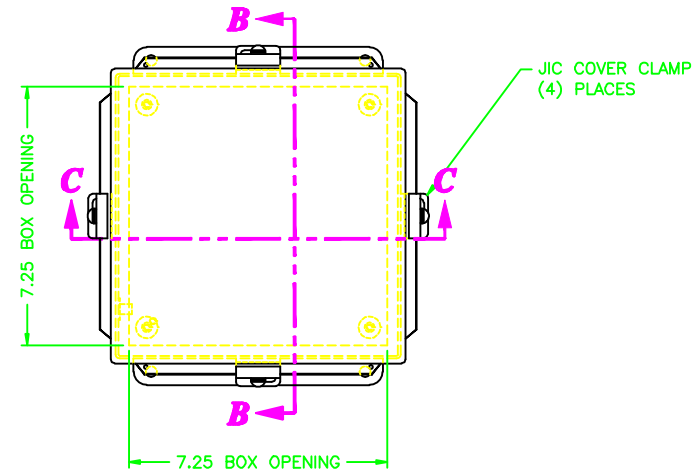
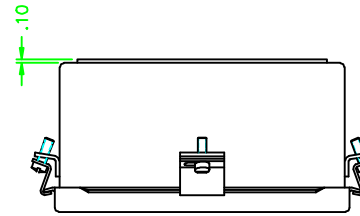
# UNCONTROLLED DRAWING

(DATA SUBJECT TO CHANGE WITHOUT NOTICE)

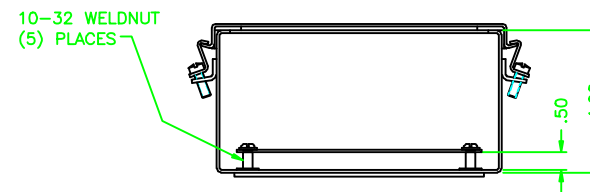
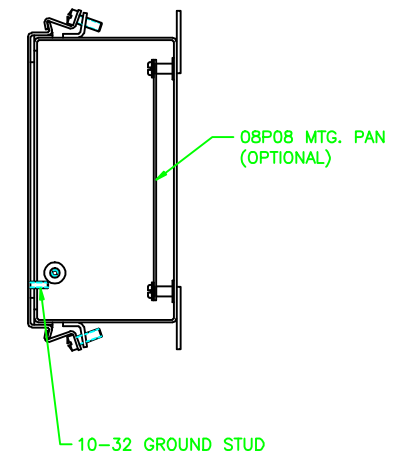
FOR ADDITIONAL HELP CONTACT ENGINEERING@ADALET.com



**SECTION A-A**



**SECTION B-B**



**SECTION C-C**

ENCLOSURE MATERIAL	CATALOG NUMBER	PART NUMBER
SS316L	JN4XSS6-080804	M10531
SS304	JN4XSS-080804	M10506

<b>DO NOT SCALE DRAWING</b> UNLESS OTHERWISE SPECIFIED DIMENSIONS ARE IN INCHES. SHEET METAL TOLERANCES NOT OTHERWISE SPECIFIED: FINC ±1/16" JIC ±.02" JCC ±.010" ANGLES ±0°-30" INSIDE BEND RADIUS = .040" NOM. WARPAGE = 1/16" PER FOOT ALL WELD SIZES ARE MIN.		<b>ADALET</b> A SCOTT FETZER COMPANY Radiology Systems • Cable Accessories General Services • 800-441-4444		TITLE: JN4XSS-080804 JIC ASSEMBLY DRAWN BY: CLB DATE: 8/15/03 CHECKED BY: [blank] DATE: [blank] APPROVED BY: [blank] DATE: [blank]	
NOTICE TO PERSONS RECEIVING THIS DRAWING: ADALET CLAIMS PROPRIETARY RIGHTS IN THE MATERIALS, METHODS, AND EQUIPMENT DESCRIBED HEREIN. THIS DRAWING IS ISSUED IN CONFIDENCE FOR ENGINEERING INFORMATION ONLY AND MAY NOT BE REPRODUCED OR USED TO MANUFACTURE, EITHER WHOLELY OR IN PART, WITHOUT WRITTEN PERMISSION FROM ADALET TO THE USER.		PART NUMBER: 080804 SHEET: 10F1 REV: B		SCALE: 1=2.5 DWG SIZE: D	