

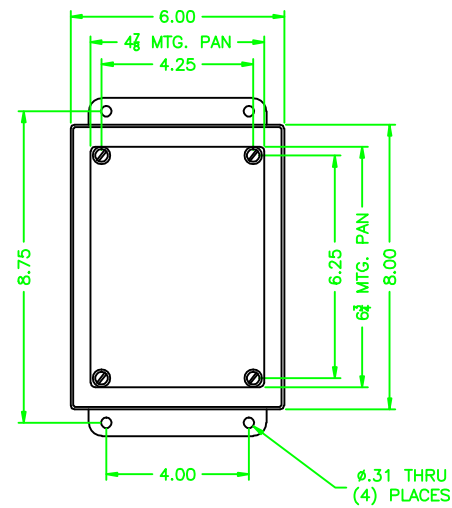
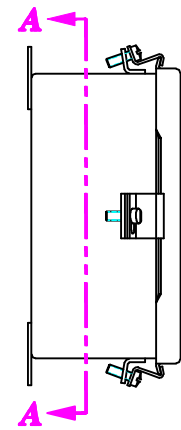
REV	REVISION	BY	BCN	DATE
A	INITIAL RELEASE	CLB		8/16/03
B	6-3/4 MTG PAN DIM WAS 6-7/8	CLB		2/23/04

080604

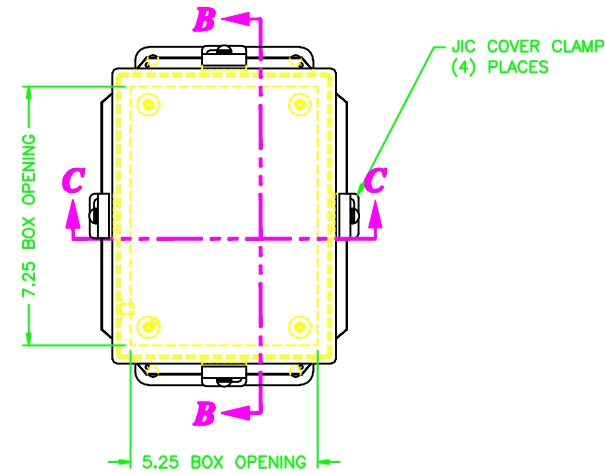
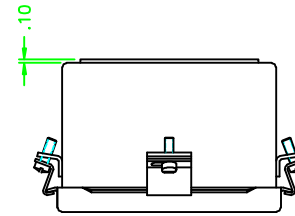
UNCONTROLLED DRAWING

(DATA SUBJECT TO CHANGE WITHOUT NOTICE)

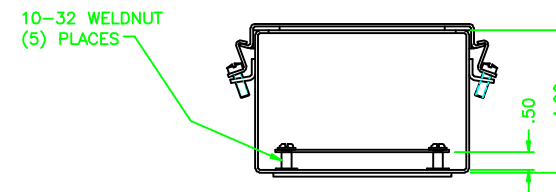
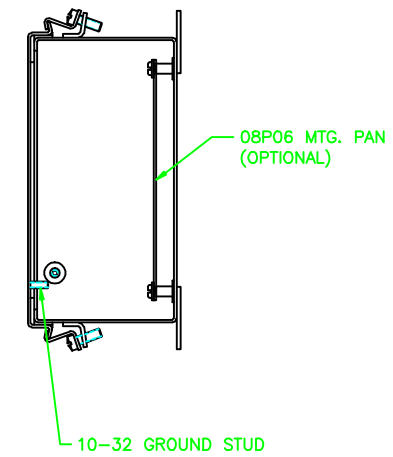
FOR ADDITIONAL HELP CONTACT ENGINEERING@ADALET.com



SECTION A-A



SECTION B-B



SECTION C-C

ENCLOSURE MATERIAL	CATALOG NUMBER	PART NUMBER
SS316L	JN4XSS8-080604	M10527
SS304	JN4XSS-080604	M10502

DO NOT SCALE DRAWING		UNLESS OTHERWISE SPECIFIED DIMENSIONS ARE IN INCHES.		SHEET METAL TOLERANCES NOT OTHERWISE SPECIFIED:		ADALET A SCOTT FETZER COMPANY Enclosure Systems • Cable Accessories General Services • 604		NOTICE TO PERSONS RECEIVING THIS DRAWING: ADALET CLAIMS PROPRIETARY RIGHTS IN THE MATERIALS, METHODS, AND EQUIPMENT DESCRIBED HEREIN. THIS DRAWING IS ISSUED IN CONFIDENCE FOR ENGINEERING INFORMATION ONLY AND MAY NOT BE REPRODUCED OR USED TO MANUFACTURE, WITHOUT EXPRESS WRITTEN PERMISSION FROM ADALET TO THE USER.		NOTICE TO PERSONS RECEIVING THIS DRAWING: UNLESS OTHERWISE SPECIFIED DIMENSIONS ARE IN INCHES. UNLESS OTHERWISE SPECIFIED DIMENSIONS ARE IN INCHES. UNLESS OTHERWISE SPECIFIED DIMENSIONS ARE IN INCHES.	
FRAC ±1/16"	JIC ±.02"	ANGLES ±0°-30"	WARPAGE = 1/16" PER FOOT	ALL WELD SIZES ARE MIN.	DATE	BY	DATE	BY	DATE	BY	DATE
					8/15/03	CLB					
					1=2.5						
					D						
					080604						
					10F1						
					B						