

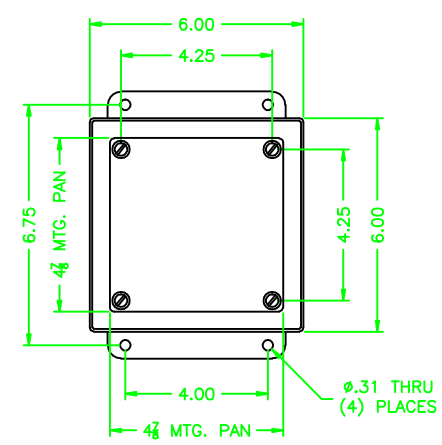
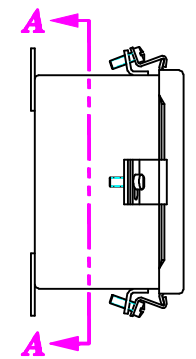
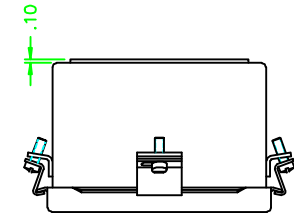
060604

REV	REVISION	BY	BCN	DATE
A	INITIAL RELEASE	CLB		8/15/03

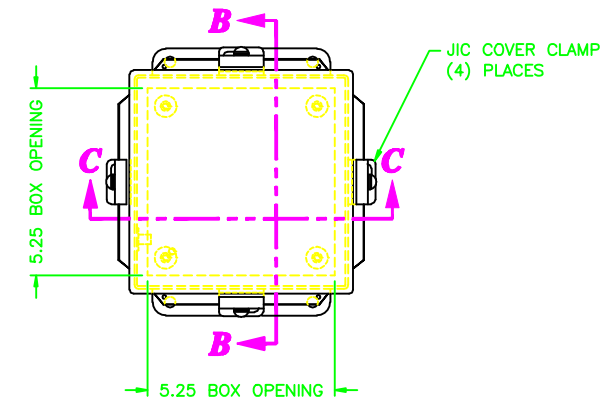
UNCONTROLLED DRAWING

(DATA SUBJECT TO CHANGE WITHOUT NOTICE)

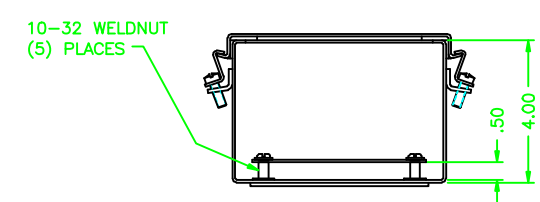
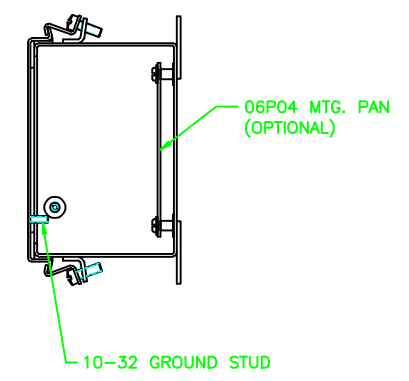
FOR ADDITIONAL HELP CONTACT ENGINEERING@ADALET.com



SECTION A-A



SECTION B-B



SECTION C-C

ENCLOSURE MATERIAL	CATALOG NUMBER	PART NUMBER
SS316L	JN4XSS6-060604	M10530
SS304	JN4XSS-060604	M10505

<p>DO NOT SCALE DRAWING</p> <p>UNLESS OTHERWISE SPECIFIED DIMENSIONS ARE IN INCHES.</p> <p>SHEET METAL TOLERANCES NOT OTHERWISE SPECIFIED:</p> <p>FINISH: #1/16"</p> <p>JXX ± .03"</p> <p>JXX ± .010"</p> <p>ANGLES ± 0°-30"</p> <p>INSIDE BEND RADIUS = .040" NOM.</p> <p>WARPAGE = 1/16" PER FOOT</p> <p>ALL WELD SIZES ARE MIN.</p>		<p>ADALET</p> <p>A SCOTT FETZER COMPANY</p> <p>Engineering Systems • Cable Assemblies</p> <p>Customer Service • 800-451-4444</p>		<p>DATE: 8/15/03</p> <p>BY: CLB</p> <p>SCALE: 1=2.5</p> <p>DWG NO: 060604</p> <p>SHEET: 10F1</p> <p>REV: A</p>	
--	--	---	--	--	--