

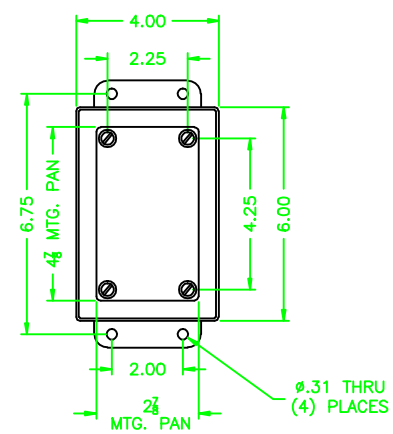
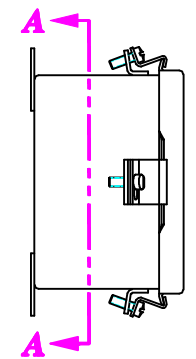
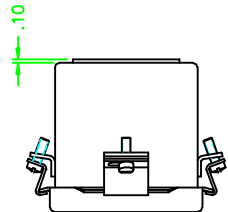
REV	REVISION	BY	BCN	DATE
A	INITIAL RELEASE	CLB		8/15/03

060404

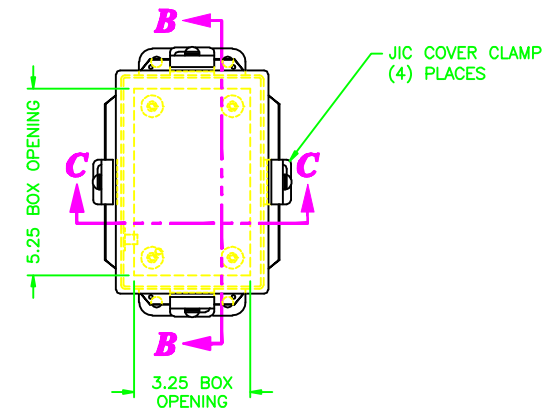
UNCONTROLLED DRAWING

(DATA SUBJECT TO CHANGE WITHOUT NOTICE)

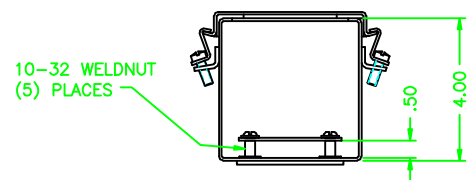
FOR ADDITIONAL HELP CONTACT ENGINEERING@ADALET.com



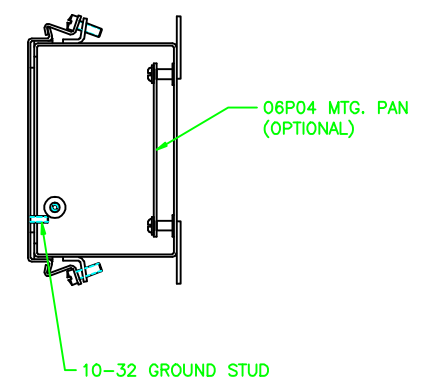
SECTION A-A



SECTION B-B



SECTION C-C



ENCLOSURE MATERIAL	CATALOG NUMBER	PART NUMBER
SS316L	JN4XSS6-060404	M10529
SS304	JN4XSS-060404	M10504

<p>ADALET A SCOTT FETZER COMPANY Enclosure Systems • Cable Accessories Connectors • Sensors</p>		<p>DATE: 8/15/03 DRAWN BY: CLB REV: 10F1 A</p>	
<p>UNLESS OTHERWISE SPECIFIED DIMENSIONS ARE IN INCHES. SHEET METAL TOLERANCES NOT OTHERWISE SPECIFIED: FINN ±.1/16" JIC ±.02" JCC ±.010" ANGLES ± 0°-30" INSIDE BEND RADIUS = .040" NOM. WARPAGE = 1/16" PER FOOT ALL WELD SIZES ARE MIN.</p>		<p>NOTICE TO PERSONS READING THIS DRAWING: ADALET CLAIMS PROPRIETARY RIGHTS IN THE MATERIALS, METHODS, AND EQUIPMENT DESCRIBED IN THIS DRAWING. THIS DRAWING IS ISSUED IN CONFIDENCE FOR ENGINEERING CONSULTATION ONLY AND MAY NOT BE REPRODUCED OR USED TO MANUFACTURE, WITHOUT EXPRESS WRITTEN PERMISSION FROM ADALET TO THE USER. MATERIALS: FINNISH PERNOR MAY 03</p>	
<p>DO NOT SCALE DRAWING</p>		<p>SCALE: 1=2.5 DWT APPROVAL: [Signature] DATE: 8/15/03</p>	
<p>ENCLOSURE MATERIAL: SS316L / SS304</p>		<p>PART NUMBER: M10529 / M10504</p>	