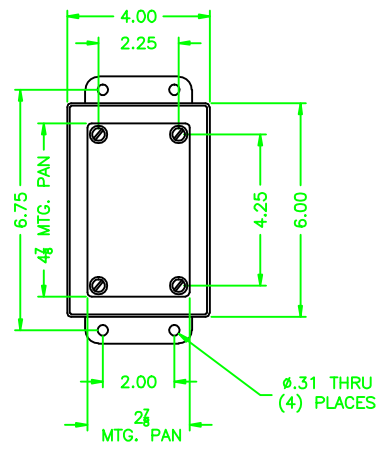
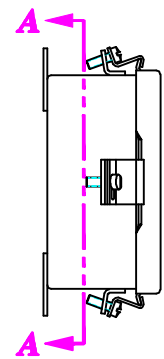
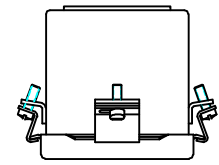


060403

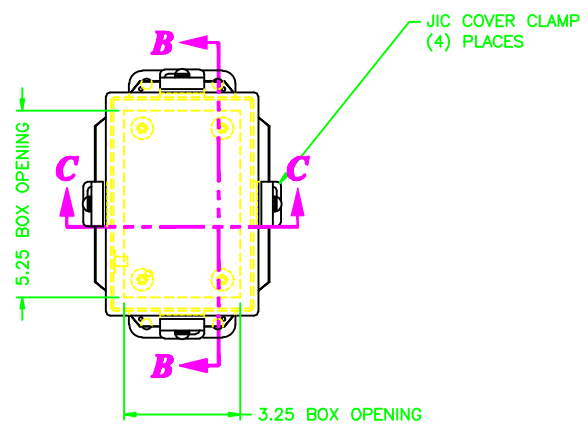
REV	REVISION	BY	BCN	DATE
A	INITIAL RELEASE	CLB		8/15/03

# UNCONTROLLED DRAWING

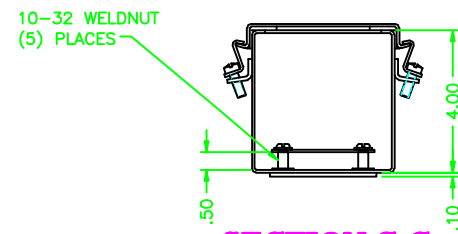
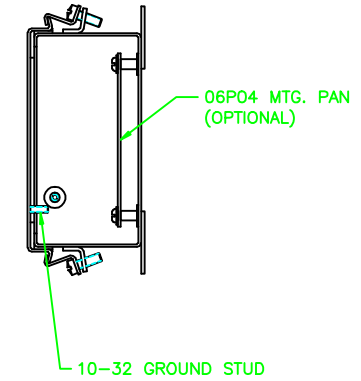
(DATA SUBJECT TO CHANGE WITHOUT NOTICE)  
 FOR ADDITIONAL HELP CONTACT ENGINEERING@ADALET.com



SECTION A-A



SECTION B-B



SECTION C-C

ENCLOSURE MATERIAL	CATALOG NUMBER	PART NUMBER
SS316L	JN4XSS8-060403	M10526
SS304	JN4XSS-060403	M10501

<b>ADALET</b> A SCOTT FETZER COMPANY Radiology Systems • Cable Assemblies General Services		TITLE: JN4XSS-060403 JIC ASSEMBLY	
UNLESS OTHERWISE SPECIFIED DIMENSIONS ARE IN INCHES. SHEET METAL TOLERANCES NOT OTHERWISE SPECIFIED: FINC ±.016" JIC ±.02" JCC ±.010" ANGLES ± 0°-30" INSIDE BEND RADIUS = .040" NOM. WARPAGE = 1/16" PER FOOT ALL WELD SIZES ARE MIN.	NOTICE TO PERSONS RECEIVING THIS DRAWING: ADALET CLAIMS PROPRIETARY RIGHTS IN THE MATERIALS INCORPORATED HEREIN. THIS DRAWING IS ISSUED IN CONFIDENCE FOR ENGINEERING INFORMATION ONLY AND MAY NOT BE REPRODUCED OR USED TO MANUFACTURE, WITHOUT EXPRESS WRITTEN CONSENT, WITHOUT PERMISSION FROM ADALET IS THE USER.	DRAWN BY: CLB DATE: 8/15/03 REV APPRVAL: [Signature] DATE: [Blank] REV APPRVAL: [Signature] DATE: [Blank]	PART NUMBER: M10526 DRAWN BY: CLB DATE: 8/15/03 REV APPRVAL: [Signature] DATE: [Blank]
DO NOT SCALE DRAWING		DWG NO: 060403 SHEET: 10F1 REV: A	