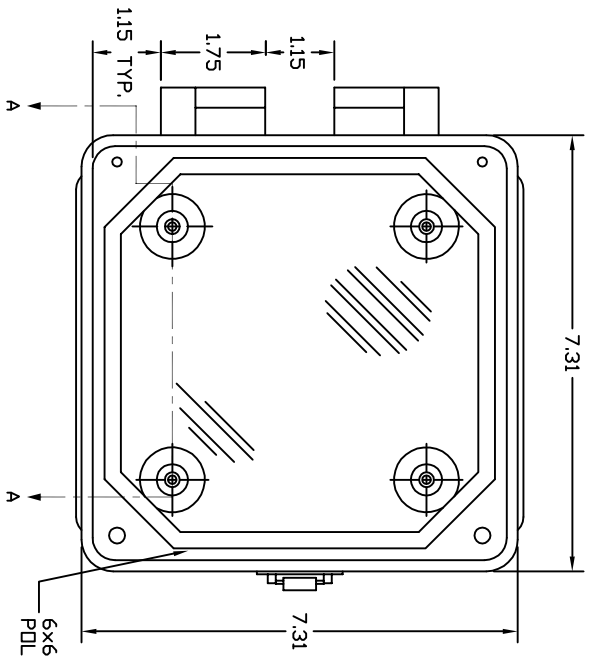
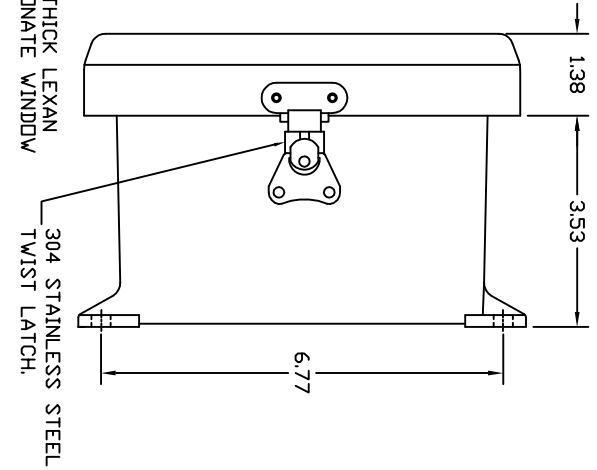


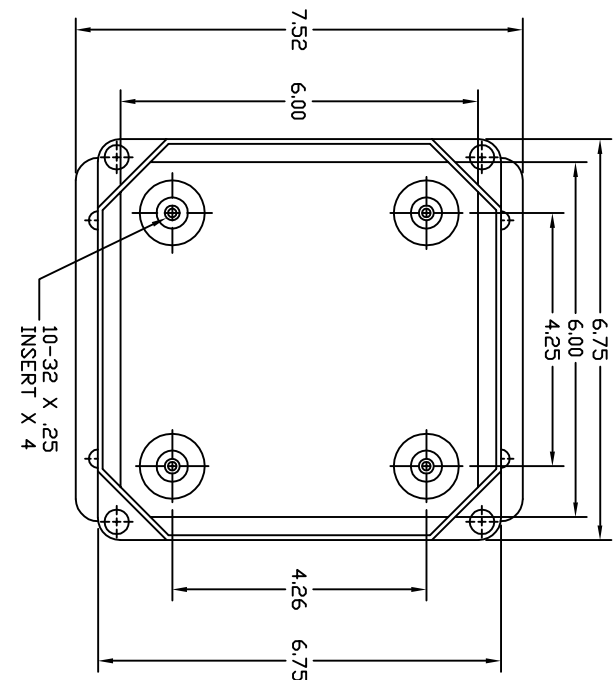
FRONT VIEW



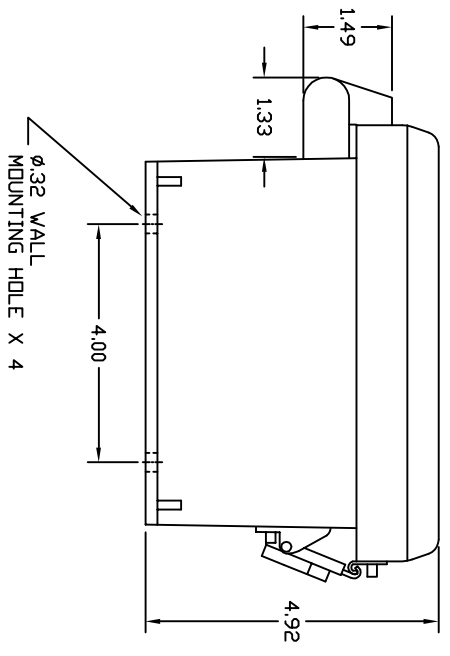
RIGHT SIDE VIEW



FRONT VIEW COVER REMOVED

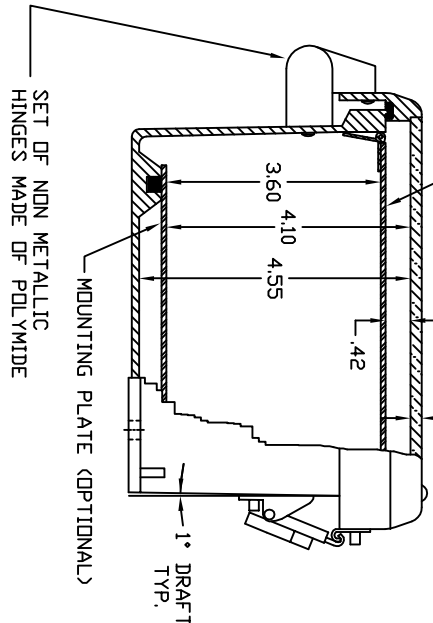


END VIEW



HINGED FRONT PANEL (OPTIONAL)

SECTION A-A



- NOTES:
1. ENCLOSURE MATERIAL MADE OF GRAY (RAL 7036) HOT MOLDED FIBERGLASS REINFORCED POLYESTER.
  2. UL LISTED PER STD. 508, FILE# E54315)
  3. CSA CERTIFIED PER STD. C22.2 NO. 94, (FILE# LR36508)
  4. NEMA RATED TYPE 3, 3R, 3S, 4, 4X, 12 AND 13.
  5. IEC 529 RATED IP 68.
  6. TEMPERATURE RANGES FROM -50 DEG C TO 150 DEG C.
  7. SELF EXTINGUISHING AND HALOGEN FREE.
  8. ACCESSORIES INCLUDE: BACK PANELS, DEAD FRONT PANELS, HINGED FRONT PLATES, HINGED COVERS, PRINT POCKETS, LATCHES, WINDOWS, AND VENTILATORS.
  9. CABINETS ARE MAINTENANCE FREE AND CORROSION RESISTANT.

THIS DRAWING IS THE PROPRIETARY AND CONFIDENTIAL PROPERTY OF VYNCKIER ENCLOSURE SYSTEMS, INC. AND SHALL NOT BE REPRODUCED OR DISCLOSED TO OTHERS WITHOUT THE WRITTEN PERMISSION OF VYNCKIER ENCLOSURE SYSTEMS, INC.

VYNCKIER ENCLOSURE SYSTEMS LTD. VJ SERIES ENCLOSURE VYNCKIER PART# CVJ606NHVLL1		DATE: 02/05/03 DRAWN: KEITH CHAPMAN CHECKED: [ ] DESIGN: [ ]
DIMENSIONS ARE IN INCHES DECIMALS TO 02 TOLERANCES .XXX ± .010 .XXX NOT SCALE DRAWING	SCALE: FULL	DWG NO.: CVJ606NHVLL1 SHEET: [ ]