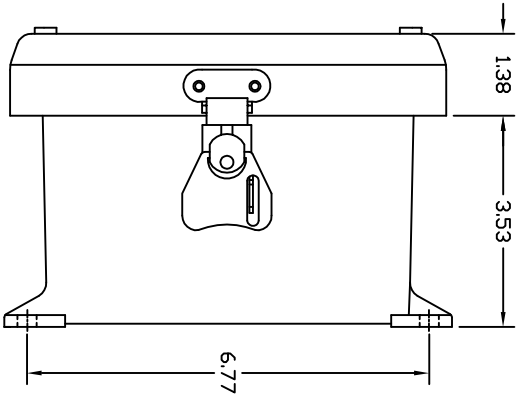
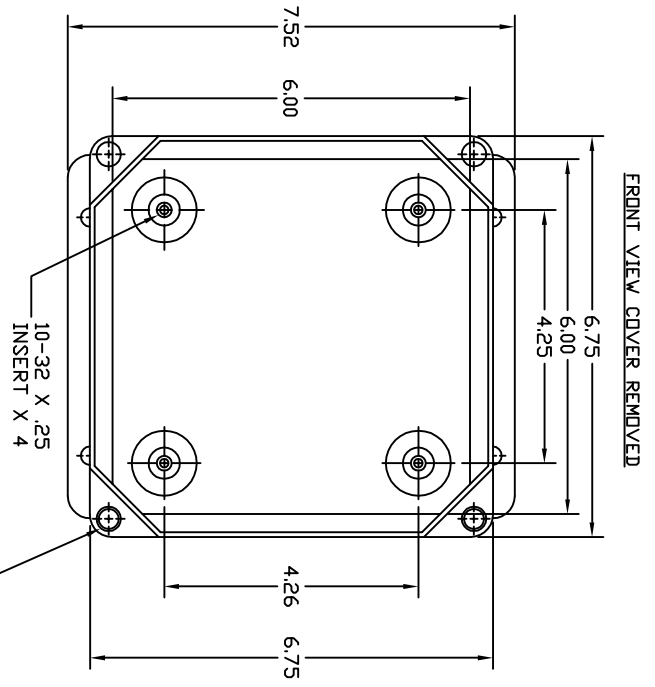


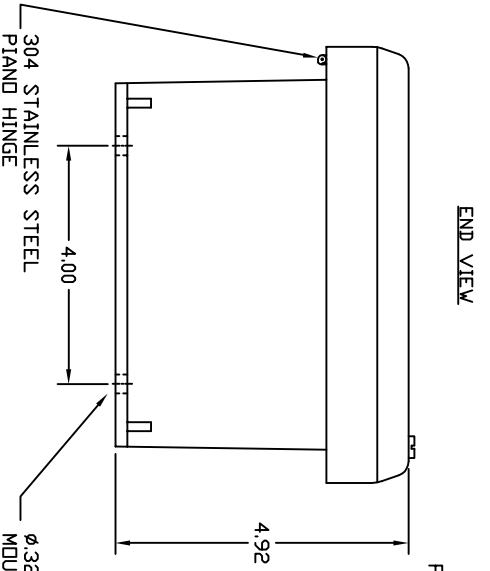
FRONT VIEW



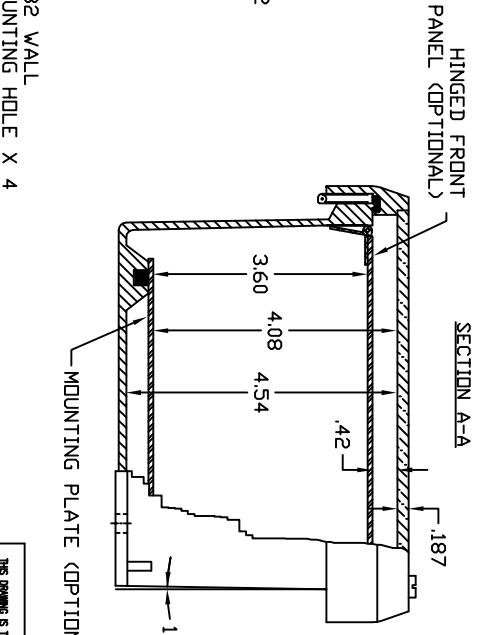
RIGHT SIDE VIEW



FRONT VIEW COVER REMOVED



END VIEW



HINGED FRONT PANEL (OPTIONAL)

SECTION A-A

THE FINISH IS THE COMMERCIAL AND PROPRIETARY FINISH OF VYNCKIER ENCLOSURE SYSTEMS AND SHALL NOT BE REPRODUCED OR INCORPORATED IN OTHERS WITHOUT THE WRITTEN PERMISSION OF VYNCKIER ENCLOSURE SYSTEMS INC.

VYNCKIER ENCLOSURE SYSTEMS LTD. VJ SERIES ENCLOSURE VYNCKIER PART # CVJ606HW/PL1		DRAWN KEITH CHAPMAN DATE 10/25/93	CHECKED DATE 10/25/93	DESIGN SCALE: FULL	REV CVJ606HW/PL1 SHEET
--	--	--	-----------------------------	-----------------------	------------------------------

- NOTES:
1. ENCLOSURE MATERIAL MADE OF GRAY (RAL 7036) HOT MOLDED FIBERGLASS REINFORCED POLYESTER.
 2. U.L. LISTED PER STD. 508, FILE# E54315)
 3. CSA CERTIFIED PER STD. C22.2 NO. 94, FILE# LR36508)
 4. NEMA RATED TYPE 3, 3R, 3S, 4, 4X, 12 AND 13.
 5. IEC 529 RATED IP 68.
 6. TEMPERATURE RANGES FROM -50 DEG C TO 150 DEG C.
 7. SELF EXTINGUISHING AND HALOGEN FREE.
 8. ACCESSORIES INCLUDE: BACK PANELS, DEAD FRONT PANELS, HINGED FRONT PLATES, HINGED COVERS, PRINT POCKETS, LATCHES, WINDOWS, AND VENTILATORS.
 9. CABINETS ARE MAINTENANCE FREE AND CORROSION RESISTANT.