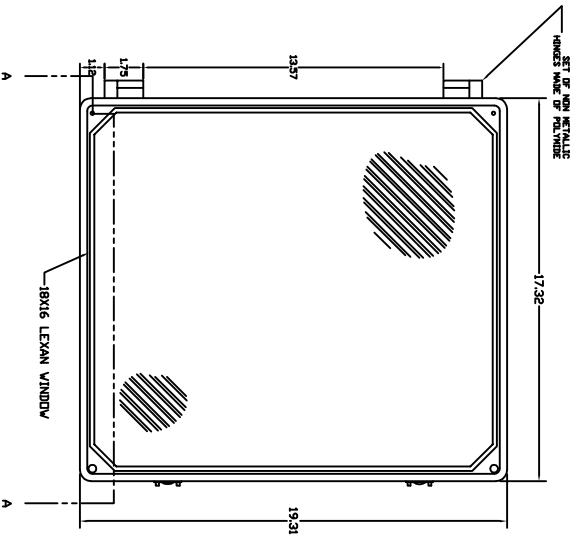
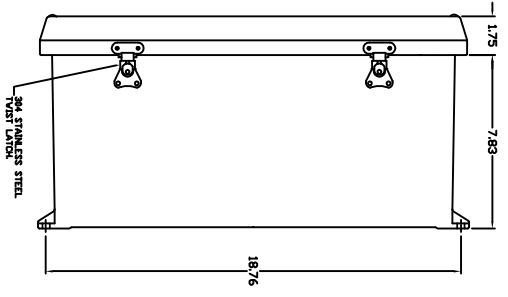


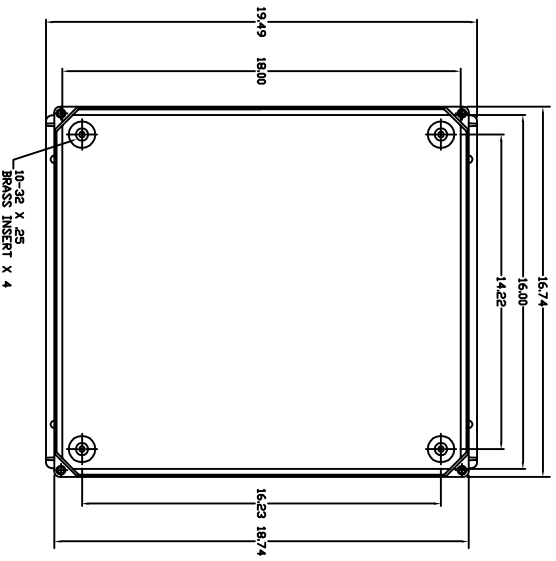
FRONT VIEW



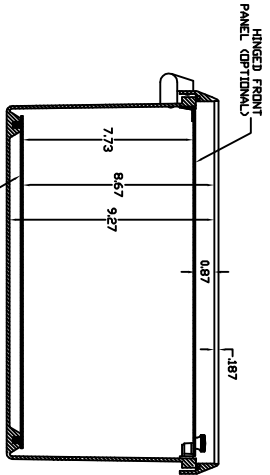
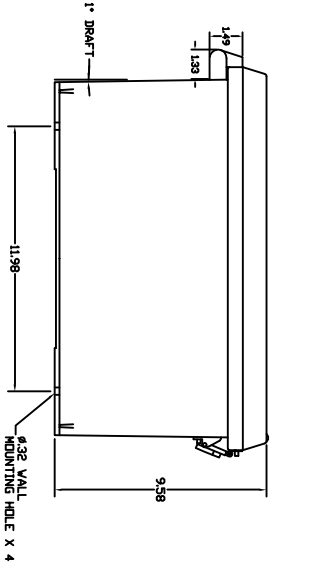
RIGHT SIDE VIEW



FRONT VIEW-COVER REMOVED



SECTION A-A



- NOTES:
- ENCLOSURE MATERIAL MADE OF GRAY (RAL 7036) HOT MOLDED FIBERGLASS REINFORCED POLYESTER.
 - UL LISTED PER STD. 508. (FILE# E54315)
 - CSA CERTIFIED PER STD. C22.2 NO. 94. (FILE# LR65089)
 - NEHA RATED TYPE 3, 3R, 3S, 4, 4X1E AND I3.
 - TEMPERATURE RANGES FROM -50 DEG C TO 150 DEG C.
 - SELF EXTINGUISHING AND HALOGEN FREE.
 - ACCESSORIES INCLUDE: BACK PANELS, DEAD FRONT PANELS, HINGED FRONT PLATES, HINGED COVERS, PRINT POCKETS, LATCHES, WINDOWS, AND VENTILATORS.
 - CABINETS ARE MAINTENANCE FREE AND CORROSION RESISTANT.

UNLESS OTHERWISE SPECIFIED DIMENSIONS ARE IN MILLIMETERS DECIMAL DIMENSIONS TO NOT BE ROUNDED UP TO NEXT HIGHER DIMENSION		DATE 2/16/01	
DRAWN JOHN O'NEILL		DATE 2/16/01	
CHECKED JOHN O'NEILL		DATE 2/16/01	
DESIGN JOHN O'NEILL		DATE 2/16/01	
YVONCKIER PART# CVJ1816NHILL2		YVONCKIER PART# CVJ1816NHILL2	
SCALE FULL		SHEET 0	

YVONCKIER
 ENCLOSURE SYSTEMS INC.