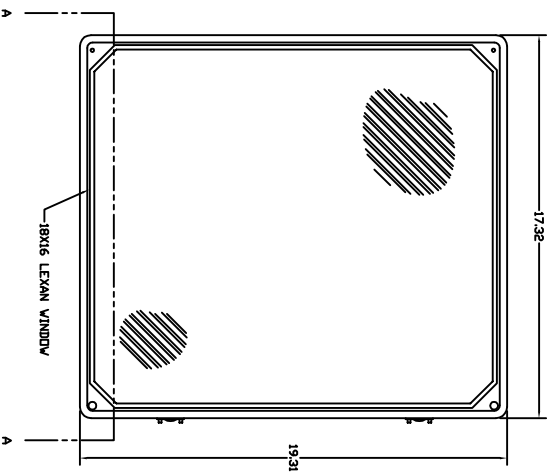
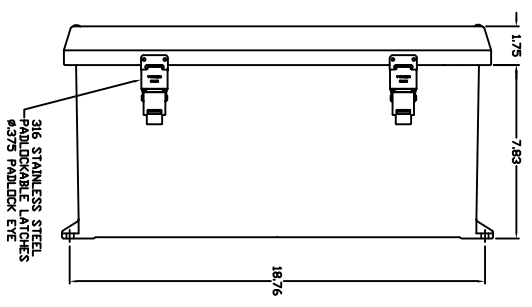


REVISIONS				
ZONE	REV	DESCRIPTION	DATE	APPROVED

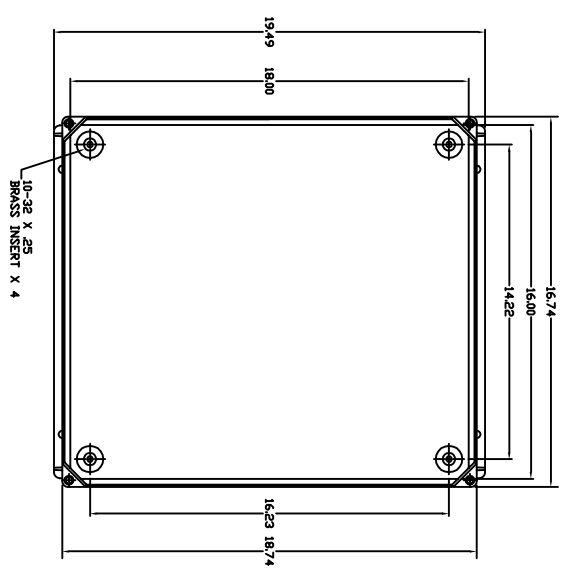
FRONT VIEW



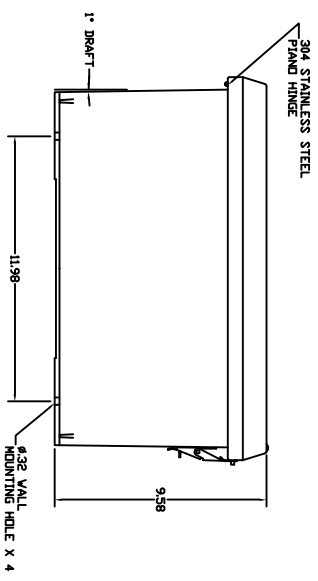
RIGHT SIDE VIEW



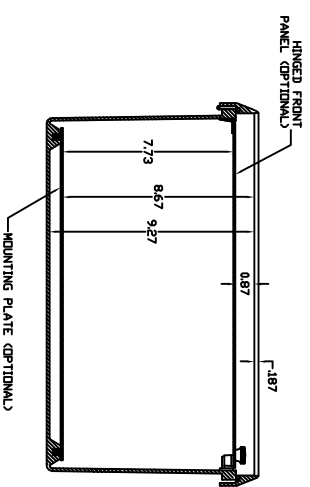
FRONT VIEW-COVER REMOVED



END VIEW



SECTION A-A



- NOTES:
- ENCLOSURE MATERIAL MADE OF GRAY (RAL 7036) HOT MOLDED FIBERGLASS REINFORCED POLYESTER.
 - UL LISTED PER STD. 508. (FILE# E54315)
 - CSA CERTIFIED PER STD. C22.2 NO. 94. (FILE# LR65089)
 - NEHA RATED TYPE 3, 3R, 3S, 4, 4X1E AND I3.
 - TEMPERATURE RANGES FROM -50 DEG. C TO 150 DEG. C.
 - TEMPERATURE RANGES FROM -50 DEG. C TO 150 DEG. C.
 - SELF EXTINGUISHING AND HALOGEN FREE.
 - ACCESSORIES INCLUDE: BACK PANELS, DEAD FRONT PANELS, HINGED FRONT PLATES, HINGED COVERS, PRINT POCKETS, LATCHES, WINDOWS, AND VENTILATORS.
 - CABINETS ARE MAINTENANCE FREE AND CORROSION RESISTANT.

UNLESS OTHERWISE SPECIFIED
ALL DIMENSIONS ARE IN MILLIMETERS
 DEC 16 2004 2:00 PM 4:00 PM
 30 DAY LEAD TIME
 90 DAY LEAD TIME

YVCKLIER
 ENCLOSURE SYSTEMS INC.

YVCKLIER PART# CVJ1816HWPL2

DESIGNED	DATE	SCALE	TITLE	SHEET	REV
CVJ1816VPL2	2/16/01	D	ENCLOSURE SYSTEMS INC.	0	0