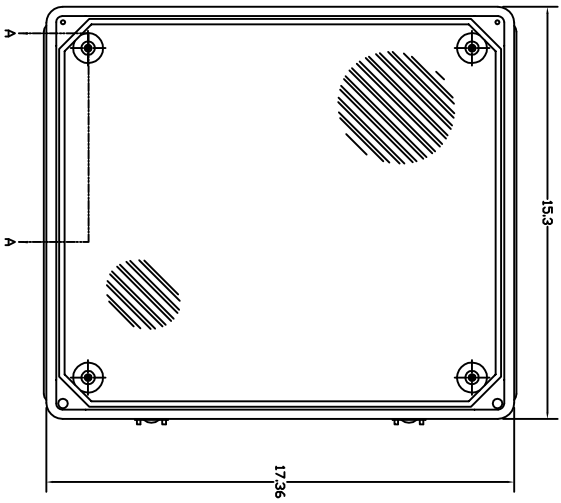
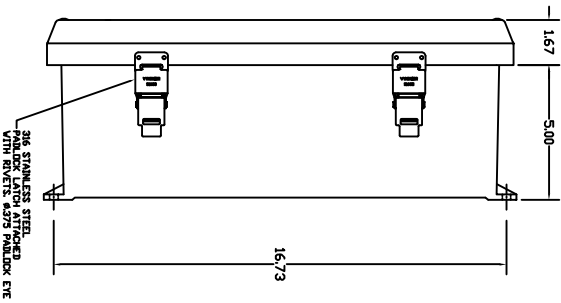


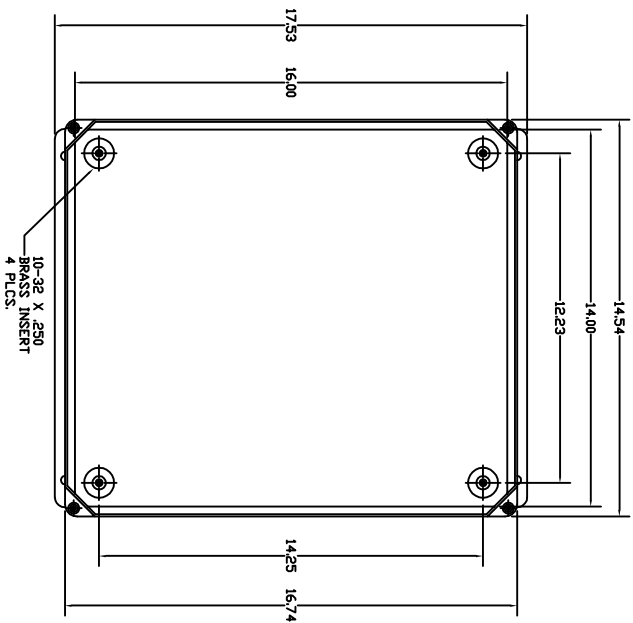
FRONT VIEW



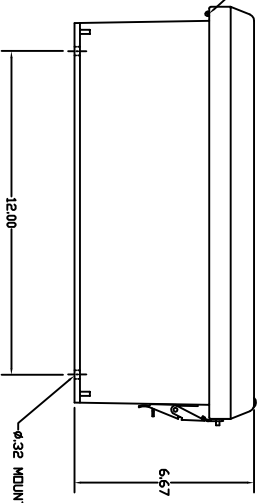
RIGHT SIDE VIEW



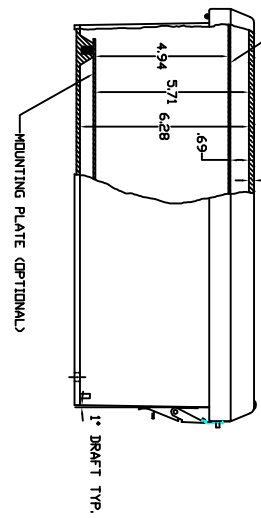
FRONT VIEW COVER REMOVED



304 STAINLESS STEEL PLAND HINGE END VIEW



HINGED FRONT PANEL (OPTIONAL) SECTION A-A



- NOTES:
- ENCLOSURE MATERIAL MADE OF GRAY (RAL 7036)
 - HOT MOLDED FIBERGLASS REINFORCED POLYESTER.
 - ULL LISTED PER STD. 508, (FILE# E34319)
 - UL94 V-0 CERTIFIED PER STD. 662, (FILE# LR6508)
 - UL94 V-0 RATED PER STD. 381, 33, 4, 4X, 1E AND 13.
 - RESISTANT TO TEMPERATURES UP TO 150 DEG C.
 - SELF EXTINGUISHING AND HALOGEN FREE.
 - ACCESSORIES INCLUDING: BACK PANEL, HINGEABLE FRONT PLATES, HINGED COVERS, PRINT POCKET, LATCHES, WINDOWS, AND VENTILATORS.
 - CABINETS ARE MAINTENANCE FREE AND CORROSION RESISTANT.
 - BACKPANEL SIZE 14.75" X 12.88"

VALDES CONTRACTING SERVICES 1000 W. 10TH AVENUE SUITE 200 DENVER, CO 80202 PHONE: 303.733.1111 FAX: 303.733.1112 WWW: WWW.VCS-CO.COM		VINCICKER ENCLOSURE SYSTEMS INC. WJ SERIES ENCLOSURE VINCICKER PART # CW11614HWP12	
DRAWN: [] CHECKED: [] DESIGNED: [] DATE: []	Dwg No. [] Rev. No. [] Scale: [] Date: []	DATE: [] TIME: [] SHEET: []	DATE: [] TIME: [] SHEET: []