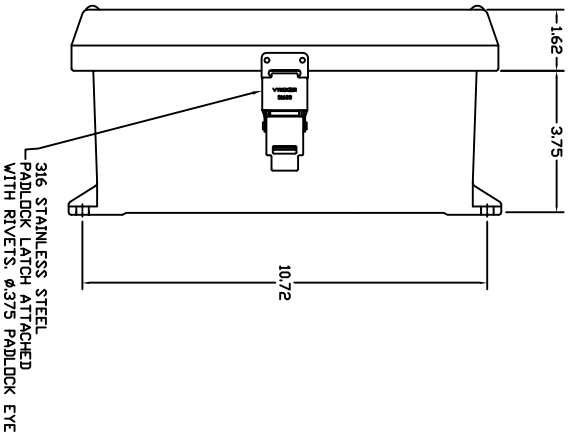
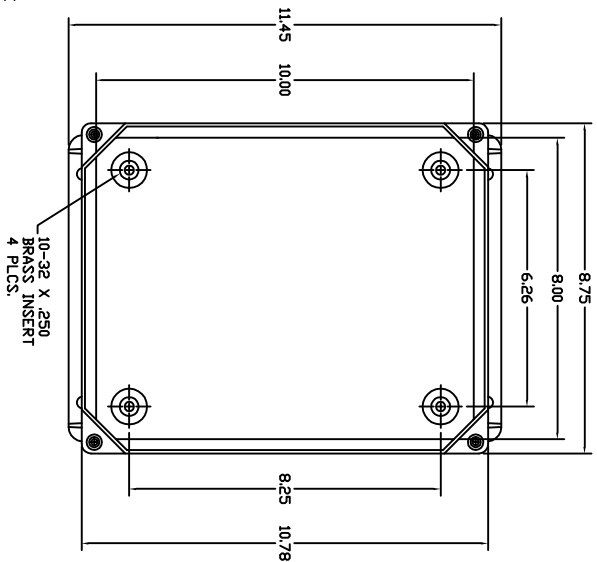


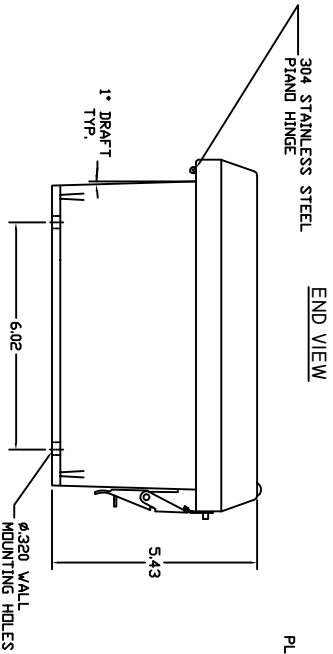
FRONT VIEW



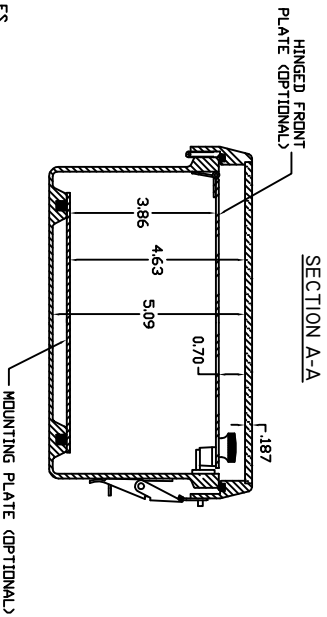
RIGHT SIDE VIEW



FRONT VIEW - COVER REMOVED



END VIEW



SECTION A-A

- NOTES:
- ENCLOSURE MATERIAL MADE OF GRAY (RAL 7036) HOT MOLDED FIBERGLASS REINFORCED POLYESTER.
 - U.L. LISTED PER STD. 508. (FILE# E54315)
 - CSA CERTIFIED PER STD. C22.2 NO. 94. (FILE# LR36508)
 - NEMA RATED TYPE 3, 3R, 3S, 4, 4X, 12 AND 13.
 - IEC 529 RATED IP 68.
 - RESISTANT TO TEMPERATURES UP TO 150 DEG. C.
 - SELF EXTINGUISHING AND HALOGEN FREE
 - ACCESSORIES INCLUDE: BACK PANELS, HINGEABLE FRONT PLATES, HINGED COVERS, PRINT POCKET¹.
 - LATCHES, WINDOWS, AND VENTILATORS.
 - CABINETS ARE MAINTENANCE FREE AND CORROSION RESISTANT.

UNLESS OTHERWISE SPECIFIED DIMENSIONS ARE IN INCHES DECIMAL DIMENSIONS TO NEAREST THOUSITHS 32 X 320 2000 X 1000 100 MM SCALE DRAWING		DRAWN BY: J. J. JONES CHECKED BY: J. J. JONES DESIGN: J. J. JONES DATE: 2/12/01	
WYCKLIER ENCLOSURE SYSTEMS INC. VJ SERIES ENCLOSURE WYCKLIER PART# CVJ1008HWPL1		SIZE: 10.00 X 10.00 X 10.00 SER: D SCALE: FULL	DWG NO: CVJ1008HWPL1 REV: 0