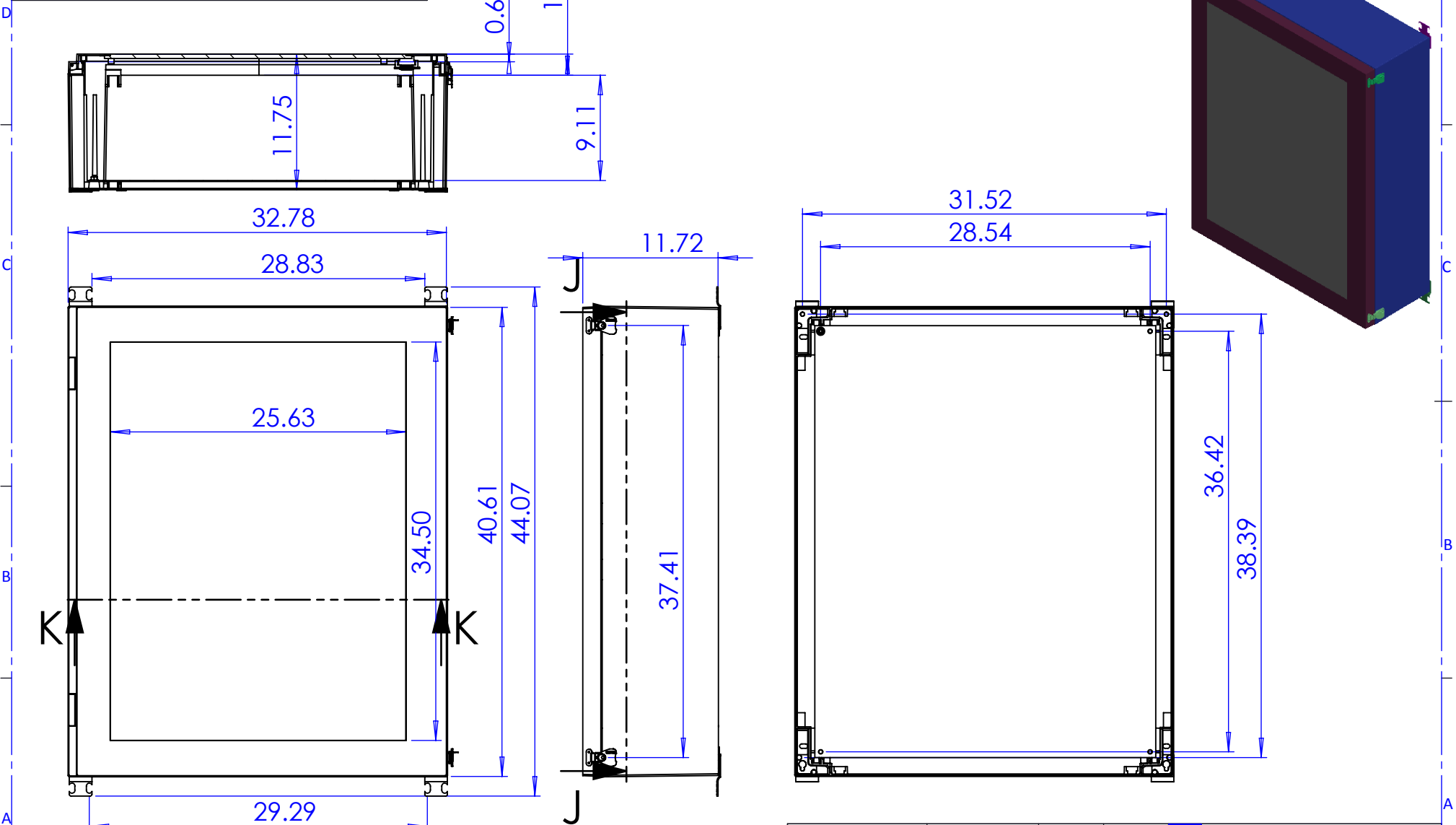
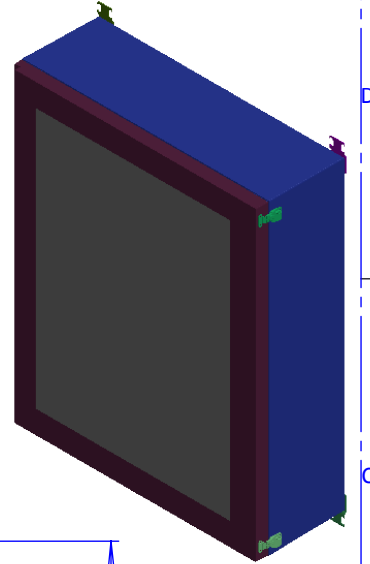
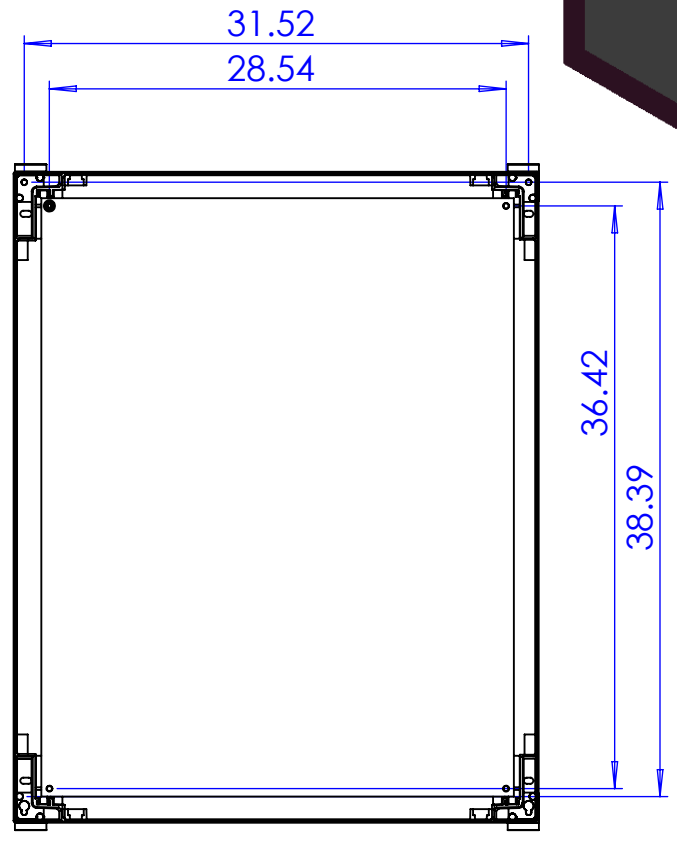
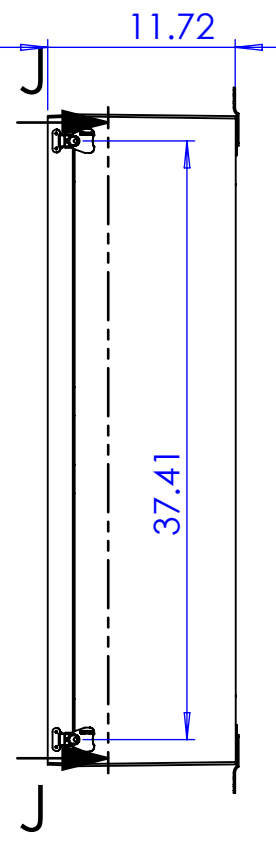
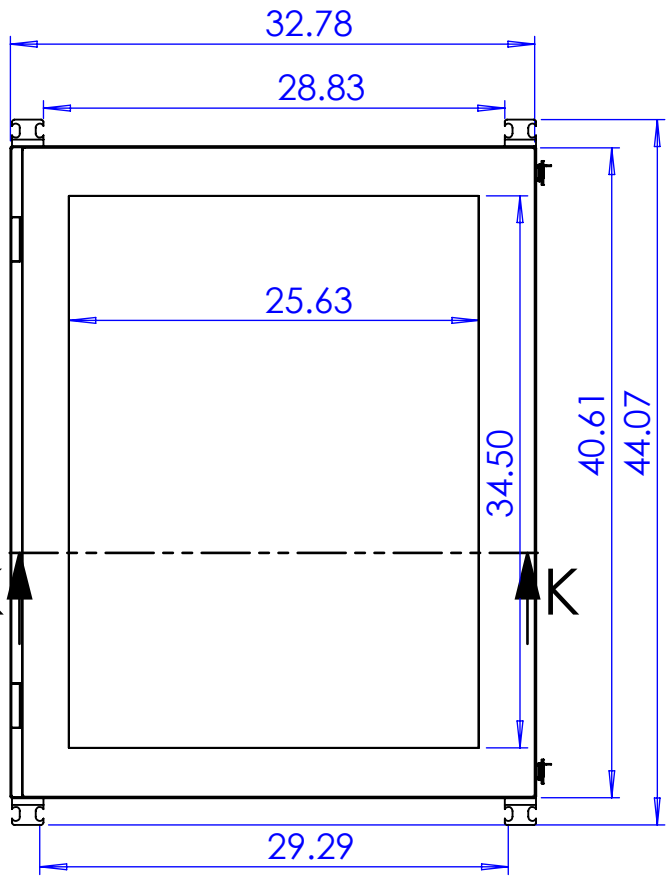
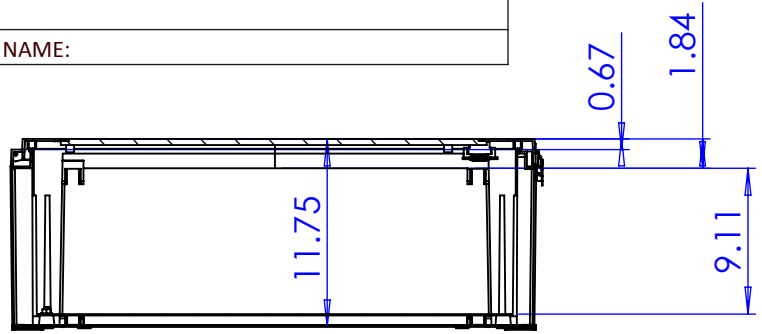


6 5 4 3 2 1

CUSTOMER APPROVAL

SIGN: _____ DATE: _____
 PRINT NAME: _____

REVISIONS							
ZONE	REV	DESCRIPTION	DATE	ENC	BY	CKD	APVD
-	-	-	-	-	-	-	-



<p>THIS DRAWING USES THIRD ANGLE PROJECTION</p>	<p>UNLESS OTHERWISE SPECIFIED: DIMENSIONS ARE IN INCHES TOLERANCES:</p> <p>DECIMALS: .030 ±.01" XX .020 HOLE Ø XXX .010</p> <p>REMOVE ALL BURRS BREAK ALL SHARP EDGES (MAX .005) (DIMENSIONS IN PARENTHESIS ARE SHOWN FOR REFERENCE)</p>	SIGNATURE	DATE	<p>VYNCKIER ENCLOSURE SYSTEMS INC.</p>
		<p>FINISH</p> <p>NONE</p>	<p>10/30/2016</p>	
		SCALE: 1:1	SHEET: 1 OF 1	