

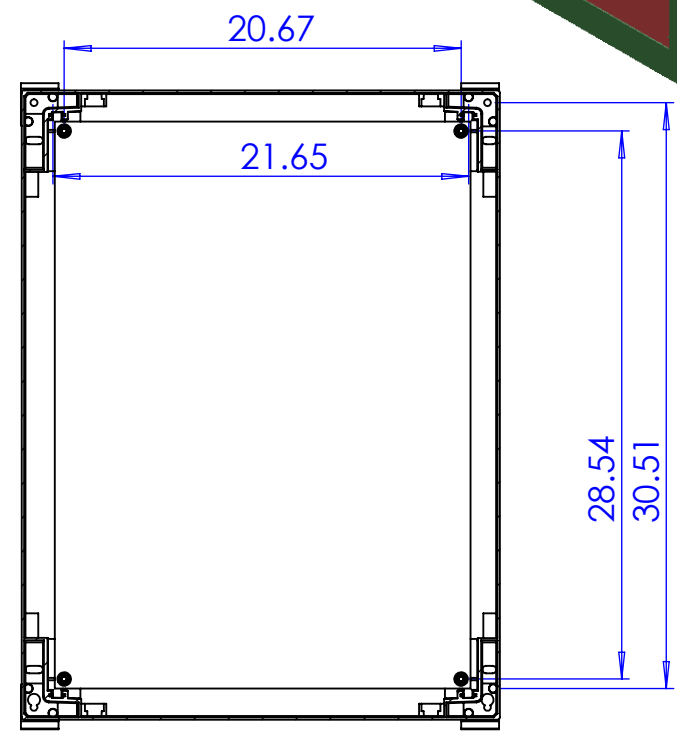
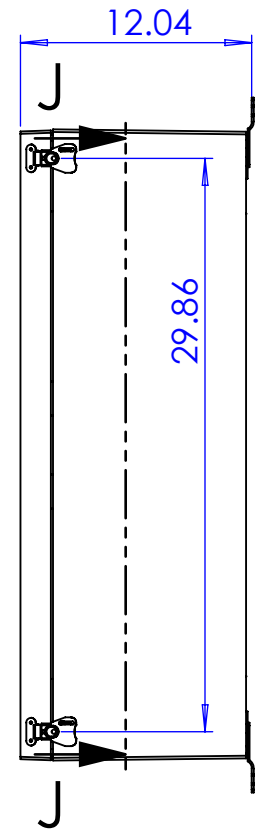
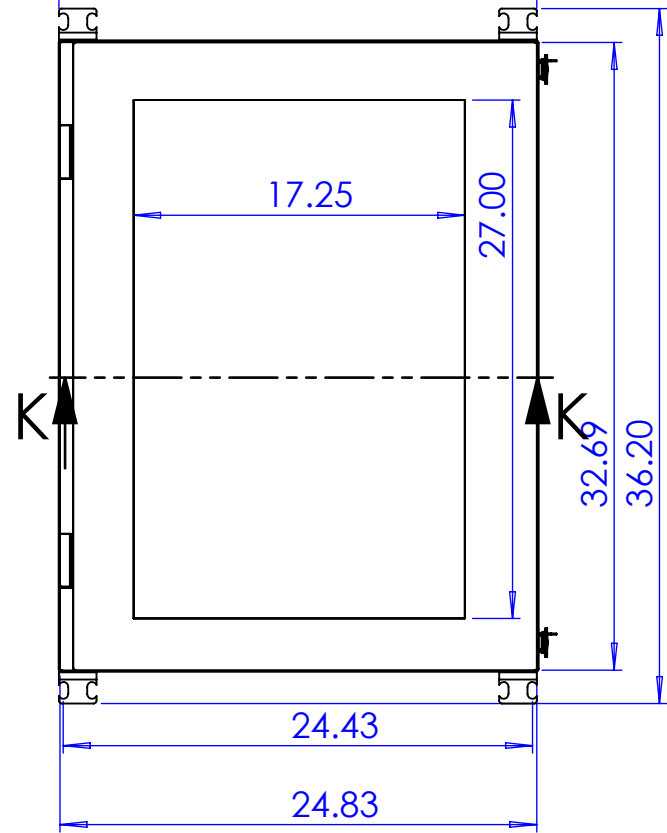
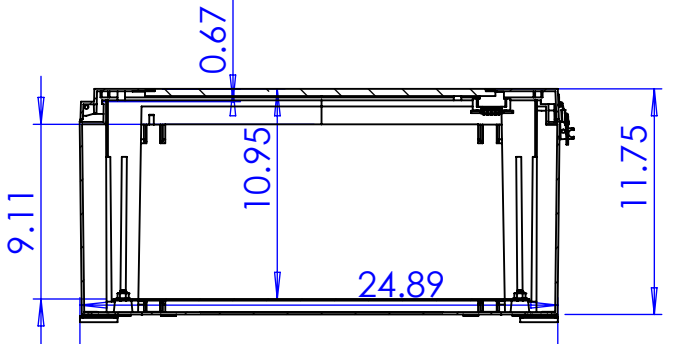
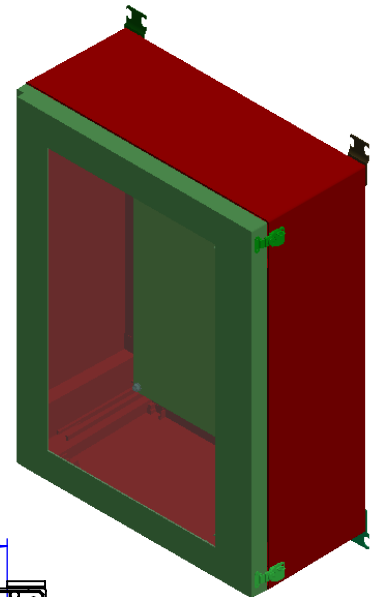
6 5 4 3 2 1

CUSTOMER APPROVAL

SIGN: _____ DATE: _____

PRINT NAME: _____

REVISIONS							
ZONE	REV	DESCRIPTION	DATE	ENC	BY	CKD	APVD
-	-	-	-	-	-	-	-



<p>THIS DRAWING USES THIRD ANGLE PROJECTION</p>	<p>UNLESS OTHERWISE SPECIFIED: DIMENSIONS ARE IN INCHES TOLERANCES:</p> <p>DECIMALS: ANGLES: .X ± 0.03 ± 1° .XX ± 0.02 HOLE Ø: .XXX ± 0.01 ± 0.01</p> <p>REMOVE ALL BURRS. BREAK ALL SHARP EDGES (MAX .005) (DIMENSIONS IN PARENTHESIS ARE SHOWN FOR REFERENCE)</p>	SIGNATURE	DATE	<p>VYNCKIER ENCLOSURE SYSTEMS INC.</p> <p>MODIFIED ENCLOSURE VYNCKIER PART# ANB3325PL CUSTOMER DWG#</p>
	<p>FINISH</p> <p>NONE</p>	<p>SCALE: 1:1</p>	<p>SHEET: 1 OF 1</p>	