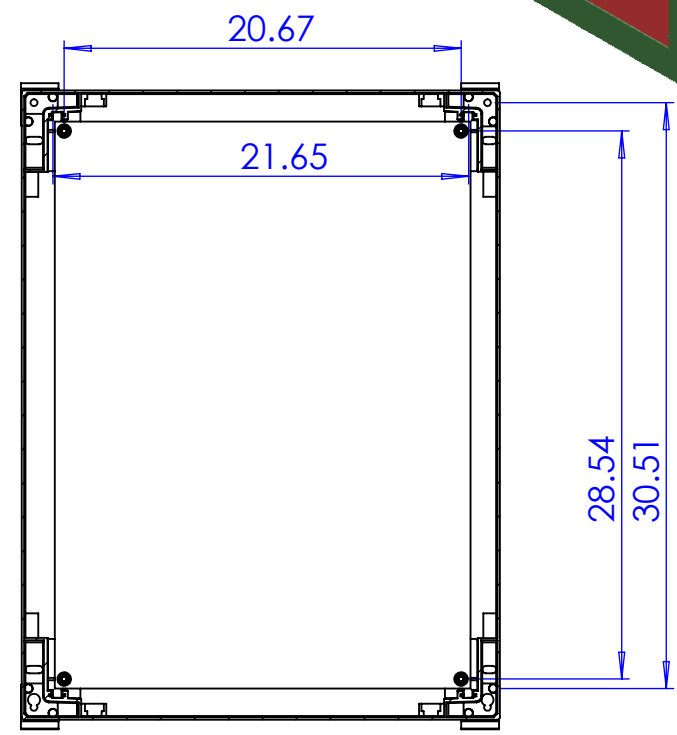
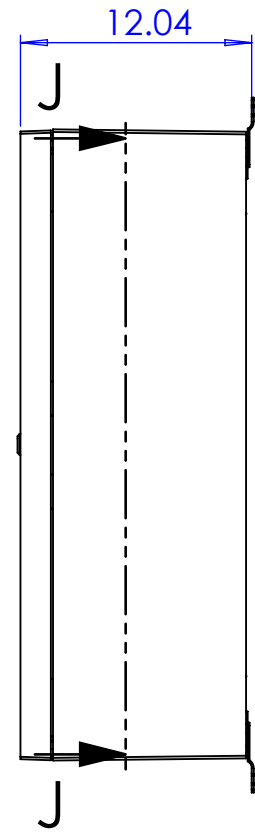
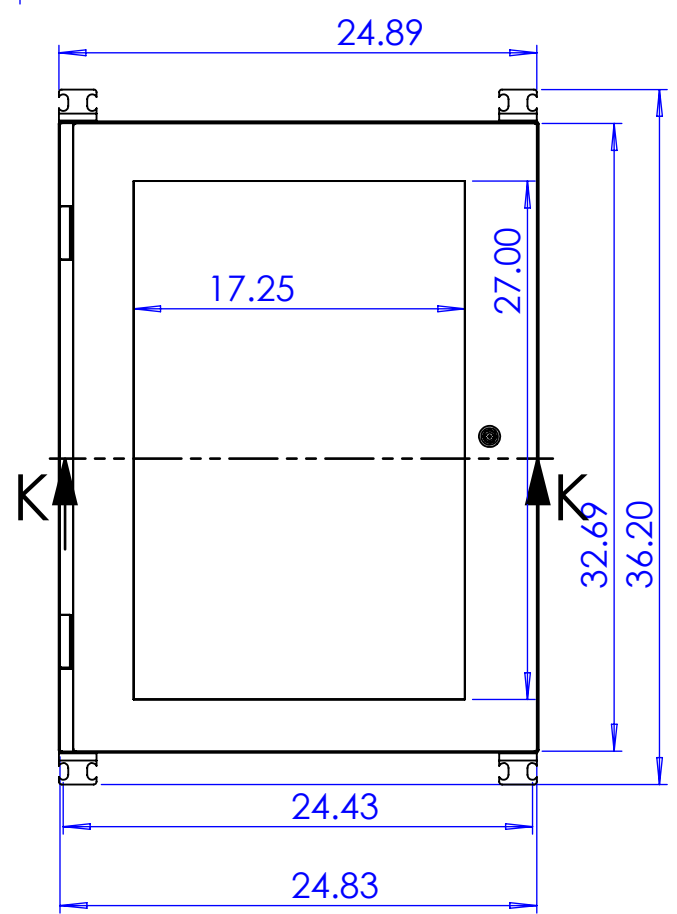
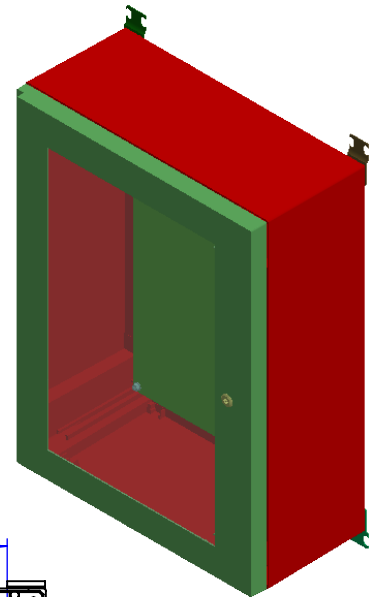
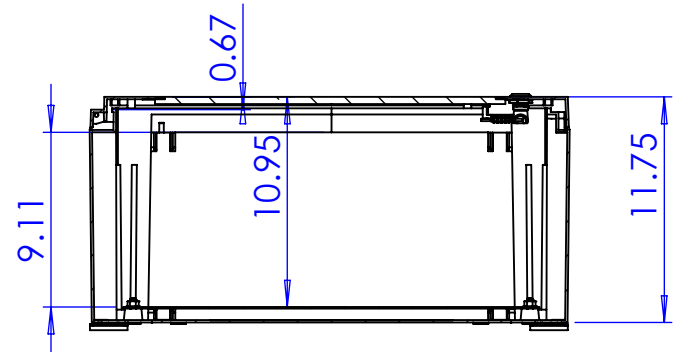


6		5	
CUSTOMER APPROVAL			
SIGN:		DATE:	
PRINT NAME:			

REVISIONS							
ZONE	REV	DESCRIPTION	DATE	ENC	BY	CKD	APVD
-	-	-	-	-	-	-	-



<p>THIS DRAWING USES THIRD ANGLE PROJECTION</p>	<p>UNLESS OTHERWISE SPECIFIED: DIMENSIONS ARE IN INCHES TOLERANCES:</p> <p>DECIMALS: ANGLES: .X ± .030 ± 1° .XX ± .020 HOLE Ø .XXX ± .010</p> <p>REMOVE ALL BURRS BREAK ALL SHARP EDGES (MAX .005) (DIMENSIONS IN PARENTHESIS ARE SHOWN FOR REFERENCE)</p>	SIGNATURE	DATE	<p>VYNCKIER ENCLOSURE SYSTEMS INC.</p>
		<p>MODIFIED ENCLOSURE VYNCKIER PART# ANB3325 CUSTOMER DWG#</p>	<p>SCALE: 1:1</p>	