

6 5 4 3 2 1

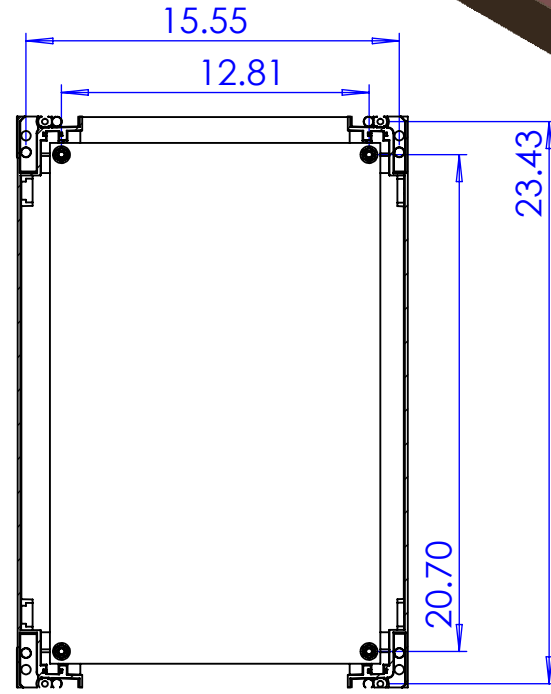
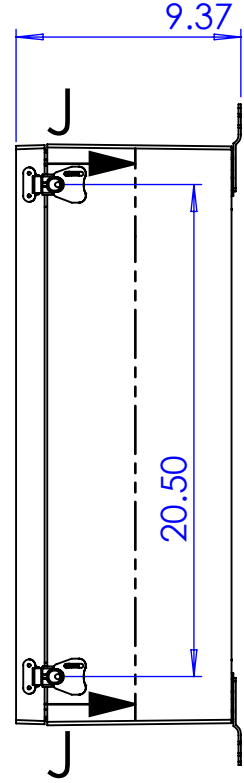
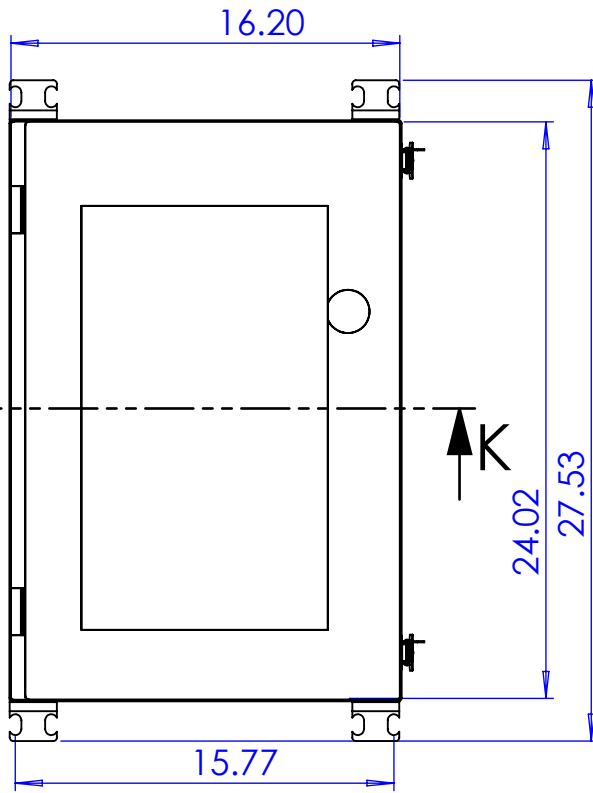
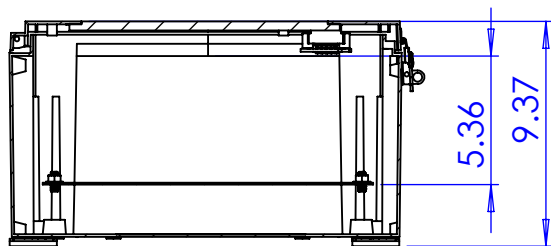
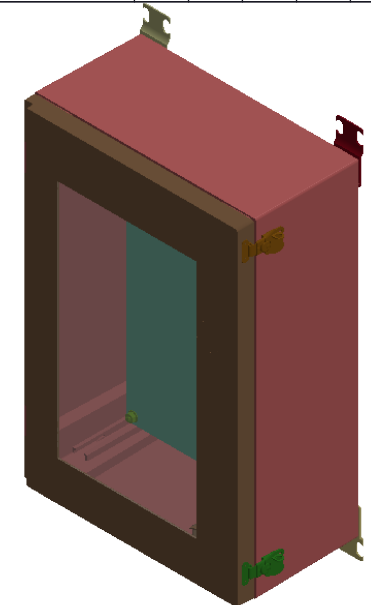
**CUSTOMER APPROVAL**

SIGN: \_\_\_\_\_ DATE: \_\_\_\_\_

PRINT NAME: \_\_\_\_\_

**REVISIONS**

ZONE	REV	DESCRIPTION	DATE	ENC	BY	CKD	APVD
-	-	-	-	-	-	-	-



<p>THIS DRAWING USES THIRD ANGLE PROJECTION</p>	<p>UNLESS OTHERWISE SPECIFIED:  <b>DIMENSIONS ARE IN INCHES</b>  <b>TOLERANCES:</b></p> <p>DECIMALS: .X ± .030 ± .1"          .XX ± .020 HOLE Ø ± .010          .XXX ± .010</p> <p>REMOVE ALL BURRS          BREAK ALL SHARP EDGES (MAX .005)          (DIMENSIONS IN PARENTHESIS ARE SHOWN FOR REFERENCE)</p>	SIGNATURE	DATE	<p><b>VYNCKIER ENCLOSURE SYSTEMS INC.</b></p>
		<p>FINISH</p> <p>NONE</p>	<p>12/15/2016</p>	
		SCALE: 1:1	SHEET: 1 OF 1	