

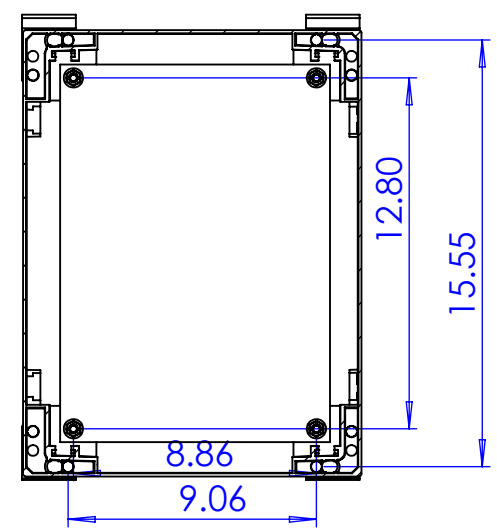
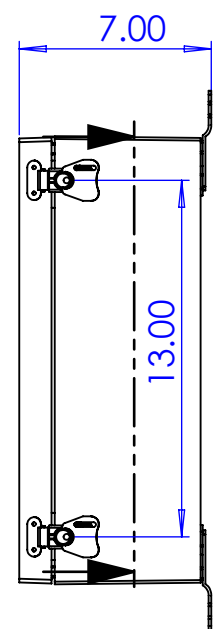
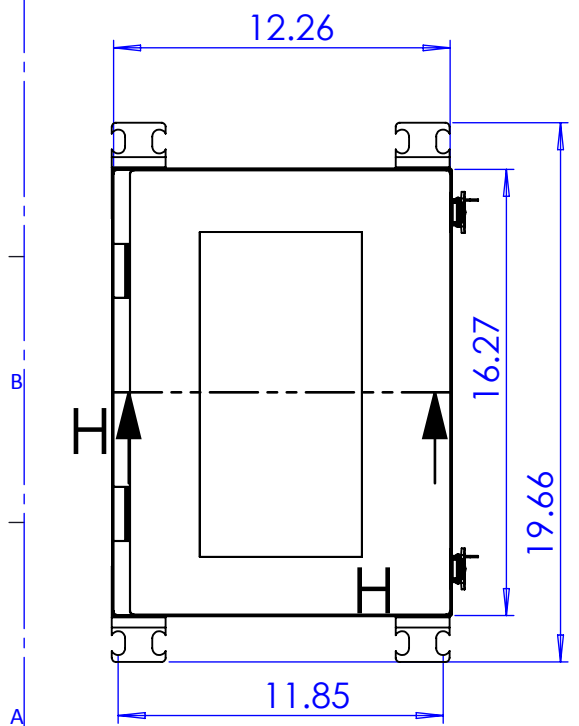
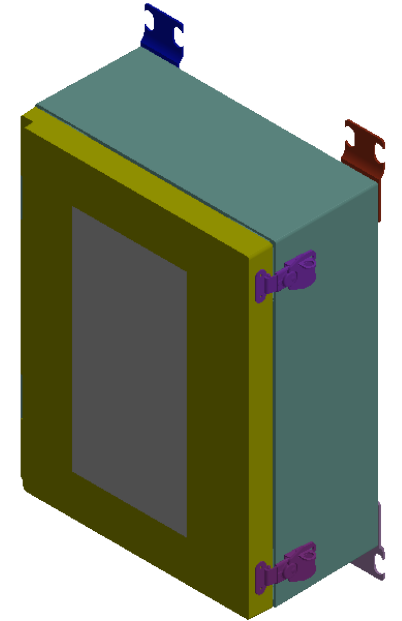
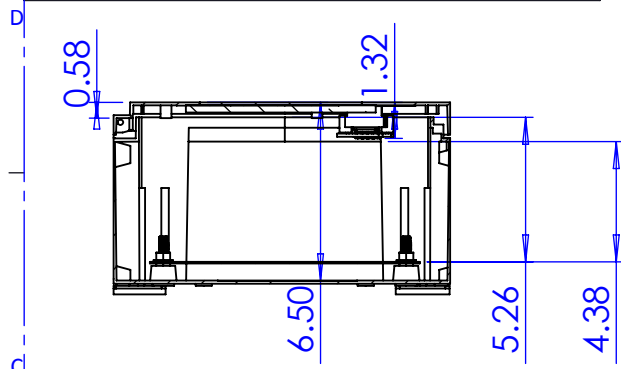
6 5 4 3 2 1

CUSTOMER APPROVAL

SIGN: _____ DATE: _____

PRINT NAME: _____

REVISIONS							
ZONE	REV	DESCRIPTION	DATE	ENC	BY	CKD	APVD
-	-	-	-	-	-	-	-





THIS DRAWING USES THIRD ANGLE PROJECTION

THIS DOCUMENT IS THE CONFIDENTIAL AND PROPRIETARY PROPERTY OF VYNCKIER ENCLOSURE SYSTEMS, INC. AND SHALL NOT BE REPRODUCED OR DISCLOSED FOR ANY REASON EXCEPT BY WRITTEN PERMISSION OF VYNCKIER ENCLOSURE SYSTEMS, INC.

UNLESS OTHERWISE SPECIFIED:
DIMENSIONS ARE IN INCHES
TOLERANCES:

DECIMALS: .010
.X ± .030
.XX ± .020
.XXX ± .010

ANGLES: ± 1°
HOLE Ø: ± .010

REMOVE ALL BURRS
BREAK ALL SHARP EDGES (MAX .005)
(DIMENSIONS IN PARENTHESIS ARE SHOWN FOR REFERENCE)

SIGNATURE	DATE
	10/9/2018
FINISH	NONE



VYNCKIER ENCLOSURE SYSTEMS INC.

MODIFIED ENCLOSURE
VYNCKIER PART# ANB1612PL
CUSTOMER DWG#

SCALE: 1:1

SHEET: 1 OF 1