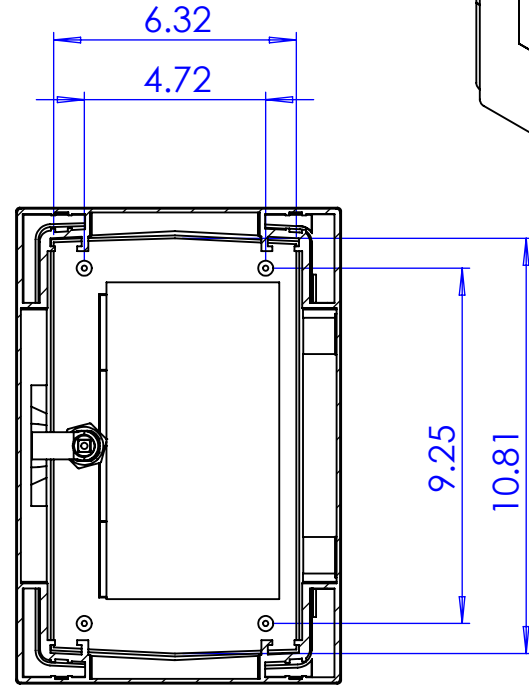
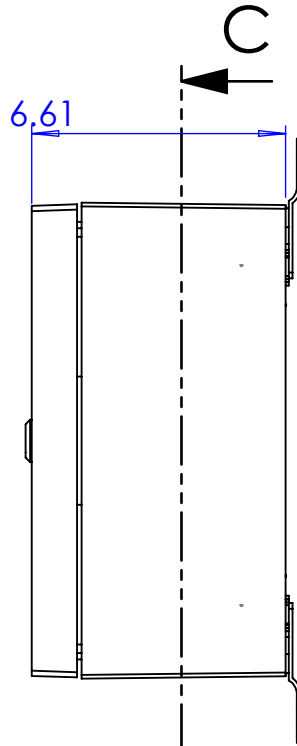
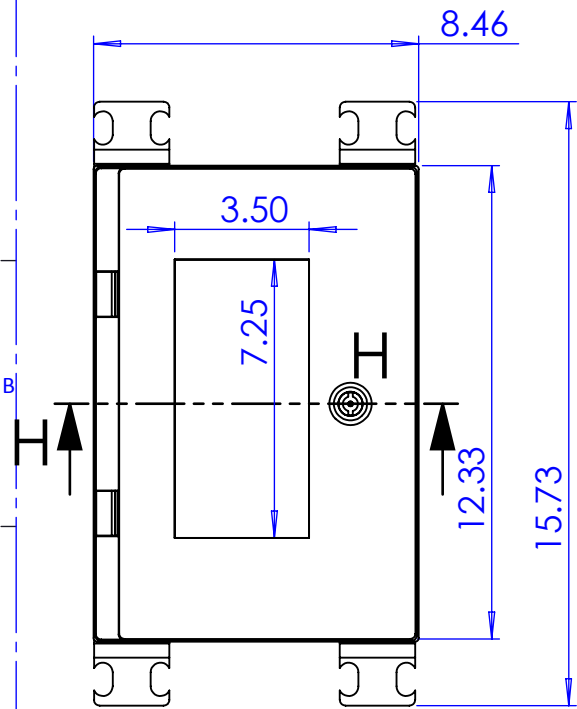
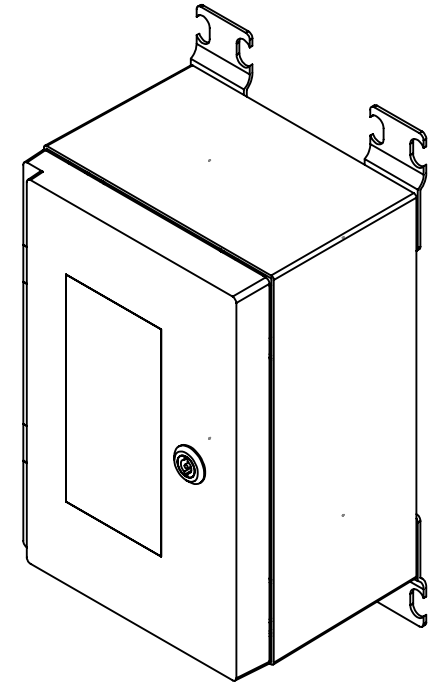
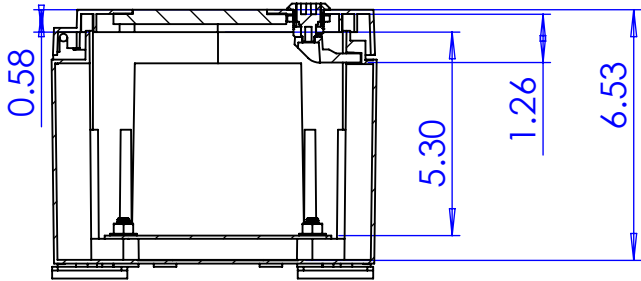


6 5 4 3 2 1

CUSTOMER APPROVAL	
SIGN:	DATE:
PRINT NAME:	

REVISIONS							
ZONE	REV	DESCRIPTION	DATE	ENC	BY	CKD	APVD
-	-	-	-	-	-	-	-



<p>THIS DRAWING USES THIRD ANGLE PROJECTION</p>	<p>UNLESS OTHERWISE SPECIFIED: DIMENSIONS ARE IN INCHES TOLERANCES:</p> <p>DECIMALS: ANGLES: .X ±.030 ±.1° .XX ±.020 HOLE Ø .XXX ±.010</p> <p>REMOVE ALL BURRS BREAK ALL SHARP EDGES (MAX .005) (DIMENSIONS IN PARENTHESIS ARE SHOWN FOR REFERENCE)</p>	SIGNATURE	DATE	<p>VYNCKIER ENCLOSURE SYSTEMS INC.</p>
		FINISH	NONE	