

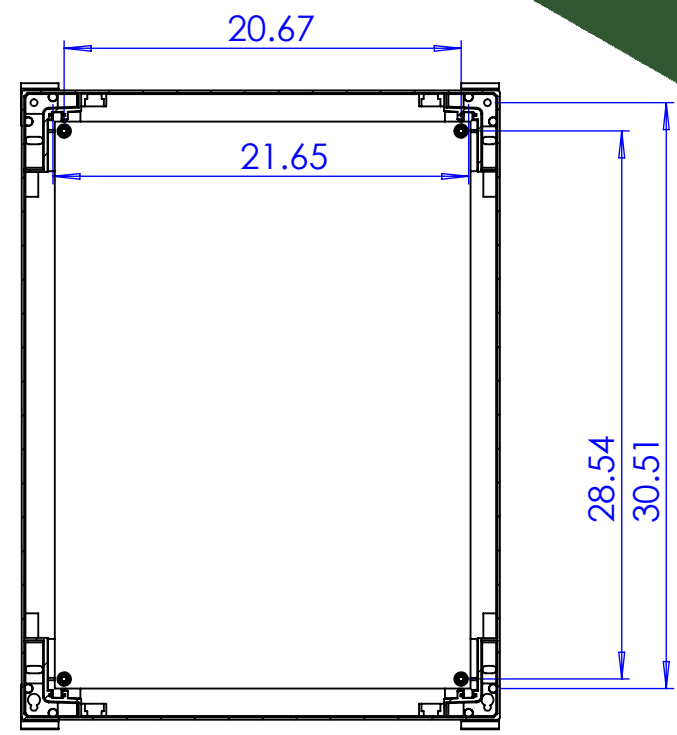
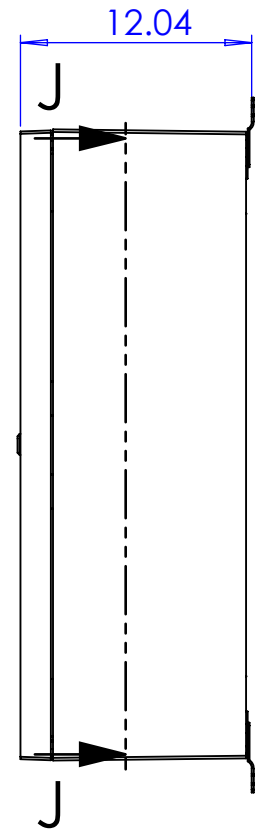
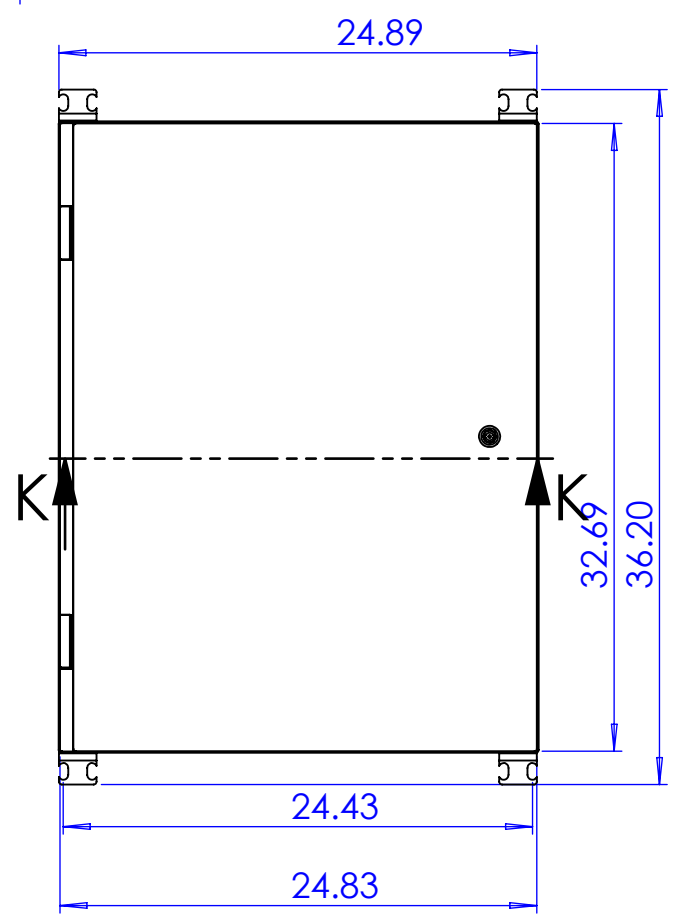
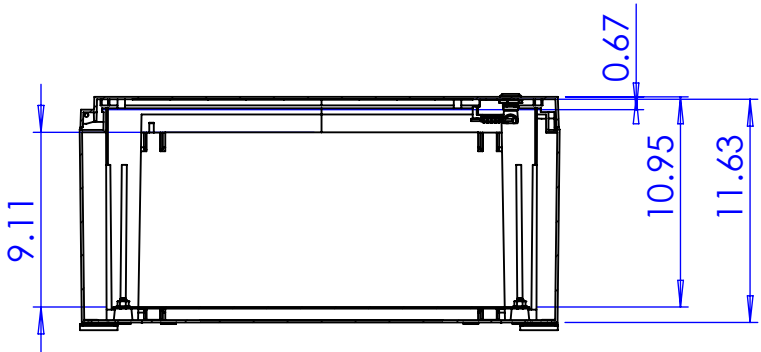
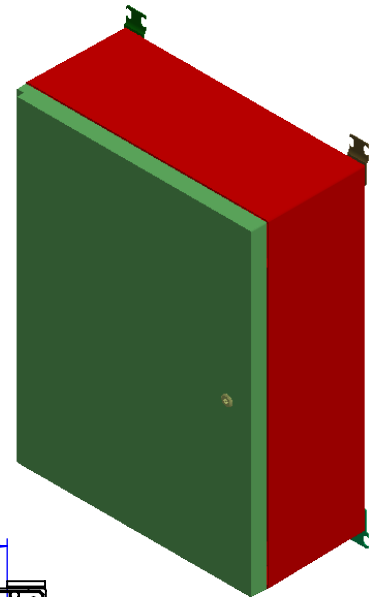
6 5 4 3 2 1

CUSTOMER APPROVAL

SIGN: _____ DATE: _____

PRINT NAME: _____

REVISIONS							
ZONE	REV	DESCRIPTION	DATE	ENC	BY	CKD	APVD
-	-	-	-	-	-	-	-



<p>THIS DRAWING USES THIRD ANGLE PROJECTION</p>	<p>UNLESS OTHERWISE SPECIFIED:</p> <p>DIMENSIONS ARE IN INCHES</p> <p>TOLERANCES:</p> <p>DECIMALS: _____ ANGLES: _____</p> <p>.X ± .030 ± 1°</p> <p>.XX ± .020 HOLE Ø</p> <p>.XXX ± .010</p>	SIGNATURE	DATE	<p>VYNCKIER ENCLOSURE SYSTEMS INC.</p>					
	<p>THIS DOCUMENT IS THE CONFIDENTIAL AND PROPRIETARY PROPERTY OF VYNCKIER ENCLOSURE SYSTEMS, INC. AND SHALL NOT BE REPRODUCED OR DISCLOSED FOR ANY REASON EXCEPT BY WRITTEN PERMISSION OF VYNCKIER ENCLOSURE SYSTEMS, INC.</p> <p>REMOVE ALL BURRS</p> <p>BREAK ALL SHARP EDGES (MAX .005)</p> <p>(DIMENSIONS IN PARENTHESIS ARE SHOWN FOR REFERENCE)</p>	<table border="1"> <tr> <td>FINISH</td> <td>NONE</td> </tr> </table>	FINISH		NONE	<table border="1"> <tr> <td>SCALE</td> <td>1:1</td> </tr> </table>	SCALE	1:1	<table border="1"> <tr> <td>SHEET</td> <td>1 OF 1</td> </tr> </table>
FINISH	NONE								
SCALE	1:1								
SHEET	1 OF 1								
<p>MODIFIED ENCLOSURE</p> <p>VYNCKIER PART# AN3325</p> <p>CUSTOMER DWG# _____</p>		<table border="1"> <tr> <td>DATE</td> <td>10/30/2016</td> </tr> </table>		DATE	10/30/2016	<p>VEVES DWG# _____</p>			
DATE	10/30/2016								