

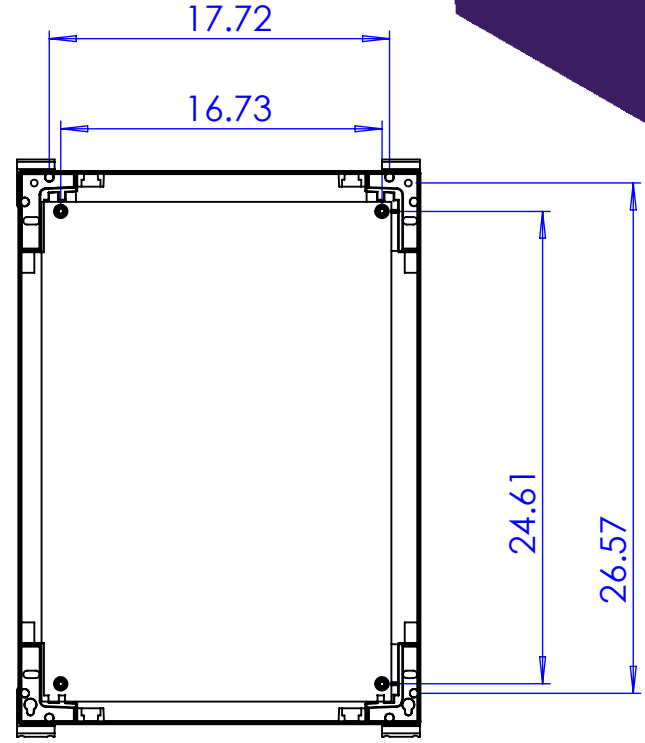
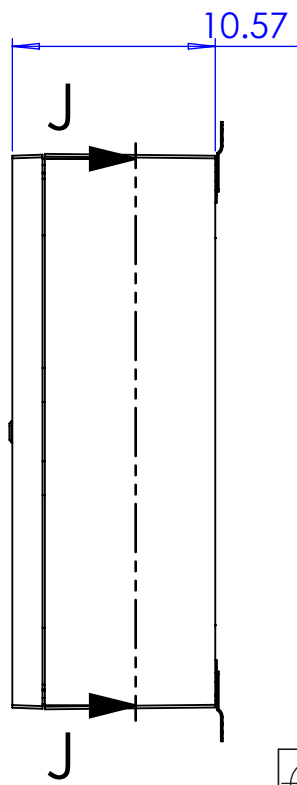
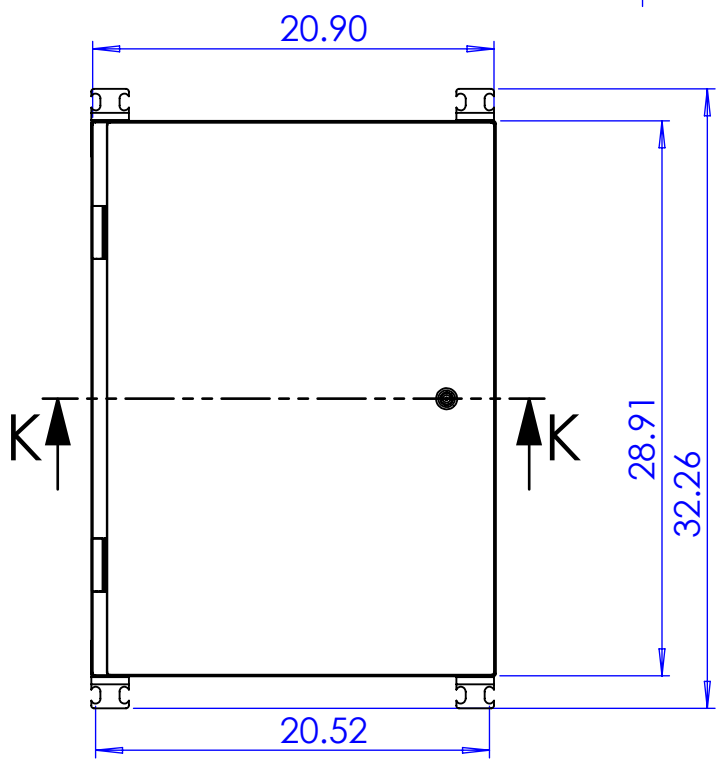
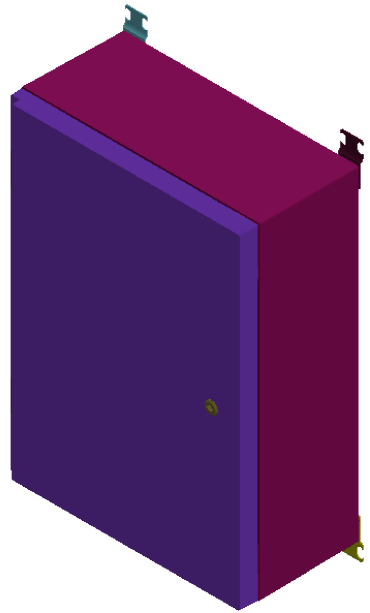
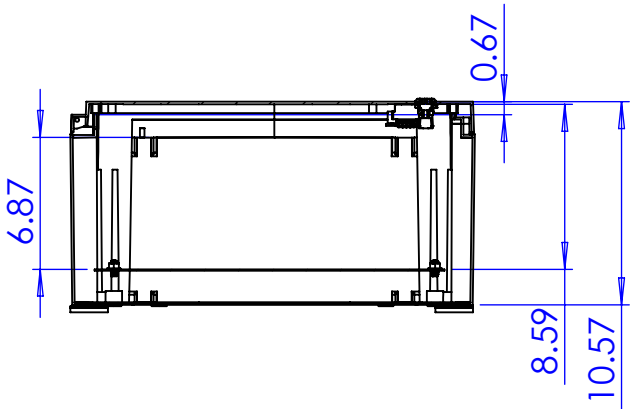
6 5 4 3 2 1

CUSTOMER APPROVAL

SIGN: _____ DATE: _____

PRINT NAME: _____

REVISIONS							
ZONE	REV	DESCRIPTION	DATE	ENC	BY	CKD	APVD
-	-	-	-	-	-	-	-



<p>THIS DRAWING USES THIRD ANGLE PROJECTION</p>	<p>UNLESS OTHERWISE SPECIFIED:</p> <p>DIMENSIONS ARE IN INCHES</p> <p>TOLERANCES:</p> <p>DECIMALS: ANGLES:</p> <p>.X ± .030 ± 1°</p> <p>.XX ± .020 HOLE Ø</p> <p>.XXX ± .010</p> <p>REMOVE ALL BURRS</p> <p>BREAK ALL SHARP EDGES (MAX .005)</p> <p>(DIMENSIONS IN PARENTHESIS ARE SHOWN FOR REFERENCE)</p>	SIGNATURE	DATE	<p>VYNCKIER ENCLOSURE SYSTEMS INC.</p> <p>MODIFIED ENCLOSURE</p> <p>VYNCKIER PART# AN2820</p> <p>CUSTOMER DWG#</p>
		FINISH	NONE	

A B C D

6 5 4 3 2 1