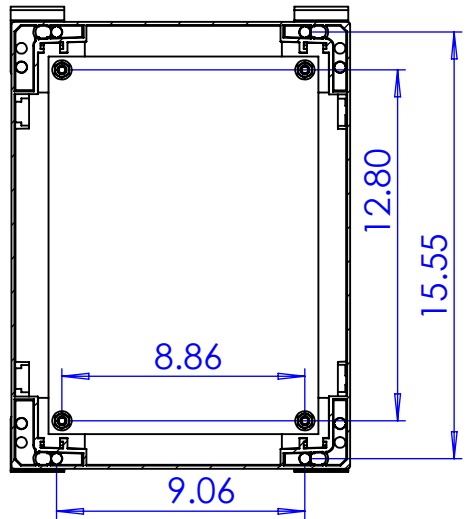
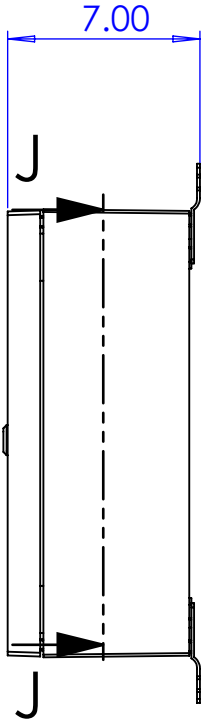
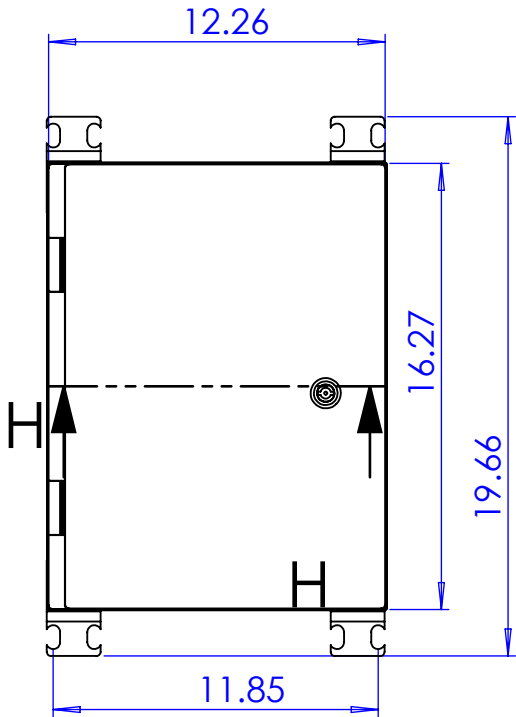
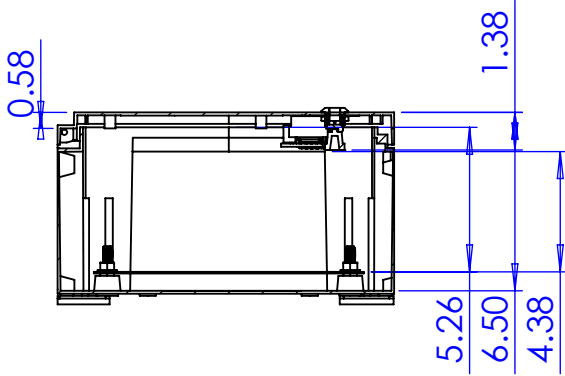
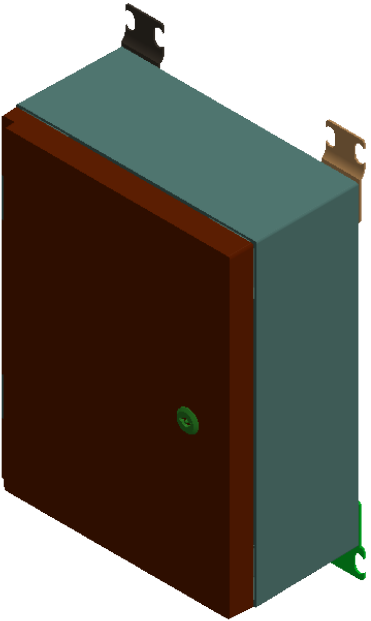


6 5 4 3 2 1

CUSTOMER APPROVAL	
SIGN:	DATE:
PRINT NAME:	

REVISIONS							
ZONE	REV	DESCRIPTION	DATE	ENC	BY	CKD	APVD
-	-	-	-	-	-	-	-



THIS DRAWING USES THIRD ANGLE PROJECTION

THIS DOCUMENT IS THE CONFIDENTIAL AND PROPRIETARY PROPERTY OF VYNCKIER ENCLOSURE SYSTEMS, INC. AND SHALL NOT BE REPRODUCED OR DISCLOSED FOR ANY REASON EXCEPT BY WRITTEN PERMISSION OF VYNCKIER ENCLOSURE SYSTEMS, INC.

UNLESS OTHERWISE SPECIFIED:
DIMENSIONS ARE IN INCHES
 TOLERANCES:
 DECIMALS: ANGLES:
 .X ± .030 ± 1°
 .XX ± .020 HOLE Ø
 .XXX ± .010
 REMOVE ALL BURRS
 BREAK ALL SHARP EDGES (MAX .005)
 (DIMENSIONS IN PARENTHESIS ARE SHOWN FOR REFERENCE)

SIGNATURE	DATE
	10/9/2016
FINISH	NONE

VYNCKIER ENCLOSURE SYSTEMS INC.

MODIFIED ENCLOSURE **AN1612**
 VYNCKIER PART#
 CUSTOMER DWG#

SCALE: 1:1 SHEET: 1 OF 1