

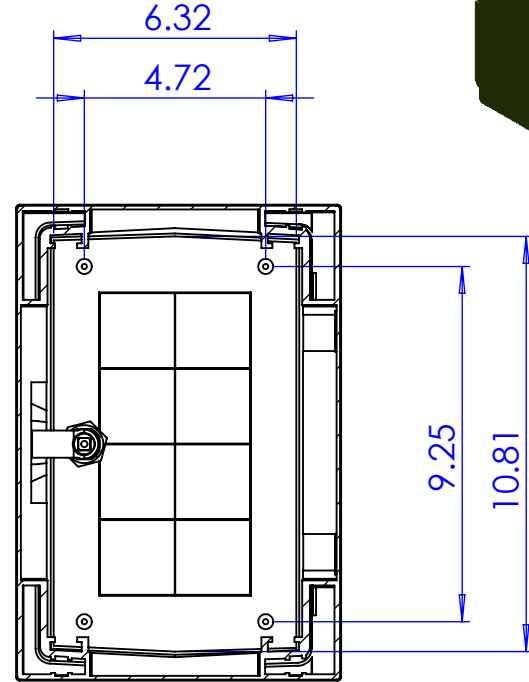
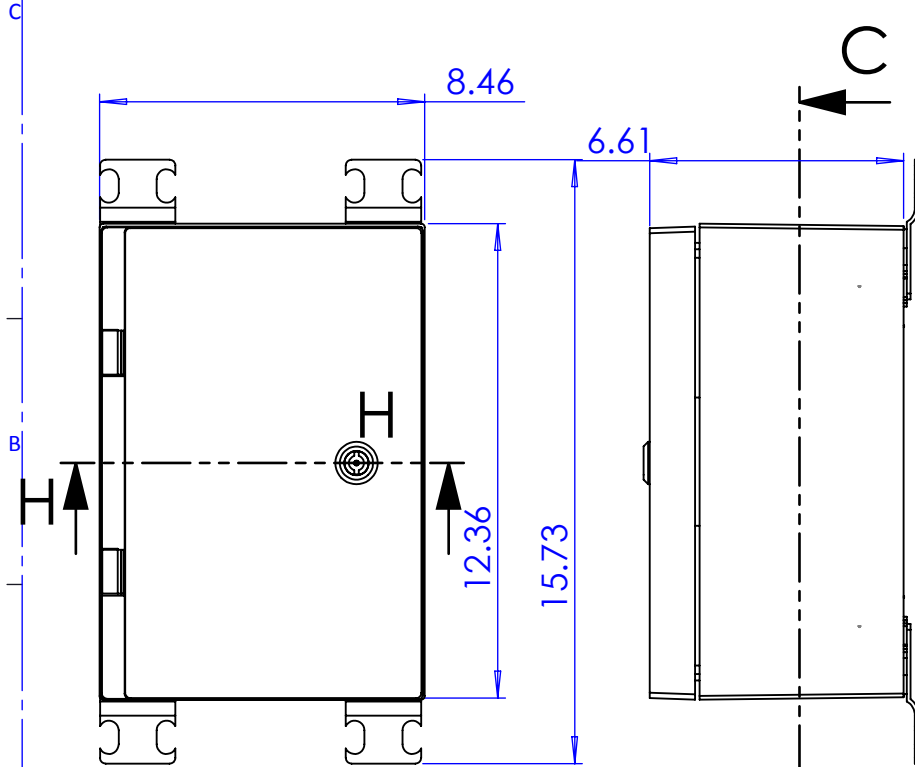
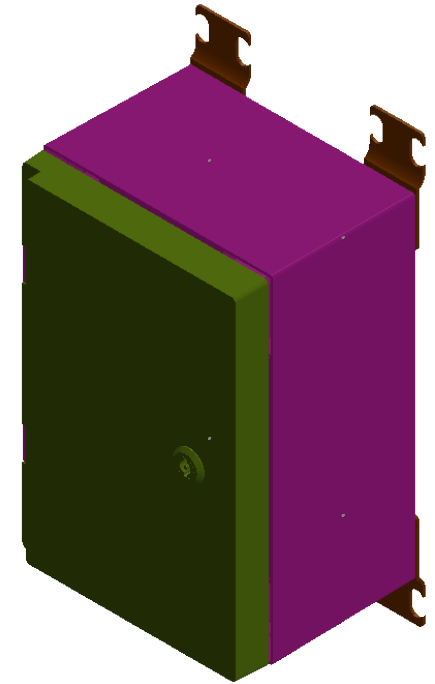
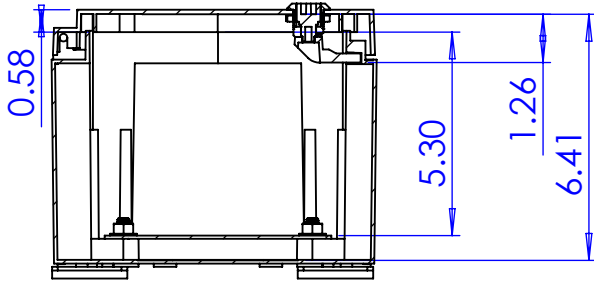
6 5 4 3 2 1

CUSTOMER APPROVAL

SIGN: _____ DATE: _____

PRINT NAME: _____

REVISIONS							
ZONE	REV	DESCRIPTION	DATE	ENC	BY	CKD	APVD
-	-	-	-	-	-	-	-



<p>THIS DRAWING USES THIRD ANGLE PROJECTION</p>	<p>UNLESS OTHERWISE SPECIFIED: DIMENSIONS ARE IN INCHES TOLERANCES:</p> <p>DECIMALS: .010 X .030 ±.1" XX .020 HOLE Ø XXX .010</p> <p>REMOVE ALL BURRS BREAK ALL SHARP EDGES (MAX .005) (DIMENSIONS IN PARENTHESIS ARE SHOWN FOR REFERENCE)</p>	SIGNATURE	DATE	<p>VYNCKIER ENCLOSURE SYSTEMS INC.</p> <p>MODIFIED ENCLOSURE VYNCKIER PART# AN1208 CUSTOMER DWG#</p>	<p>SCALE: 1:1</p> <p>SHEET: 1 OF 1</p>
		FINISH	NONE		

6 5 4 3 2 1