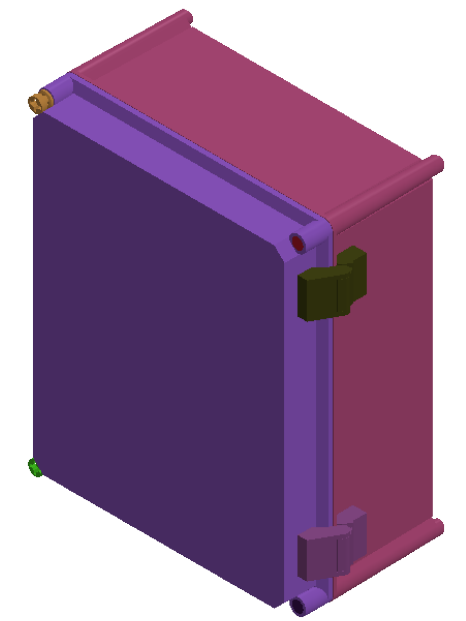
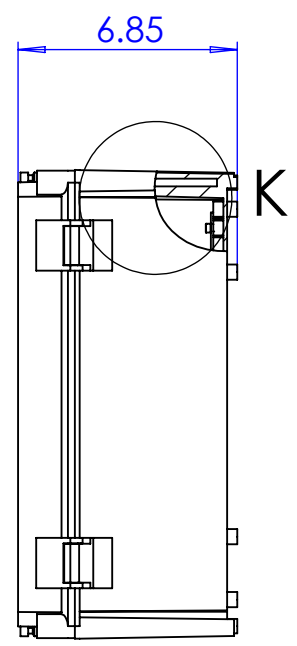
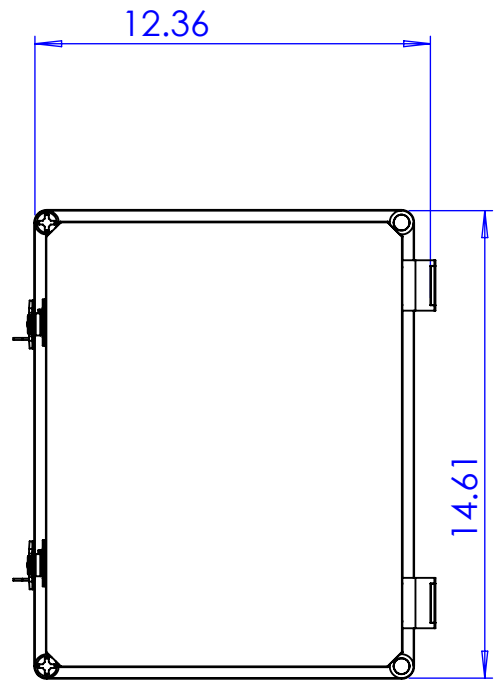
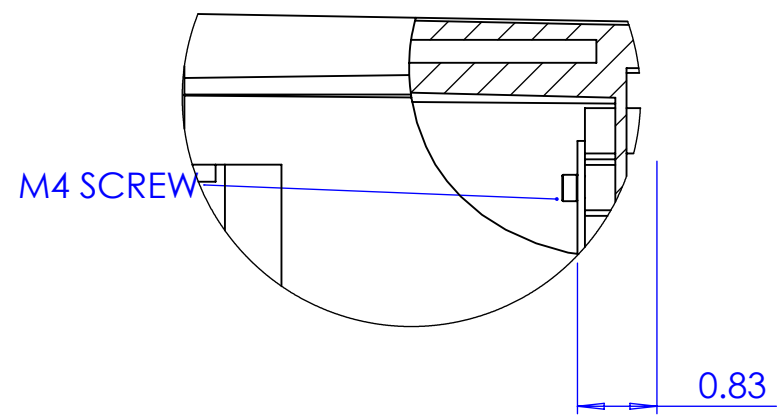


CUSTOMER APPROVAL	
SIGN:	DATE:
PRINT NAME:	

REVISIONS							
ZONE	REV	DESCRIPTION	DATE	ENC	BY	CKD	APVD
-	-	-	-	-	-	-	-



<p>THIS DRAWING USES THIRD ANGLE PROJECTION</p>	<p>UNLESS OTHERWISE SPECIFIED: DIMENSIONS ARE IN INCHES TOLERANCES:</p> <p>DECIMALS: ANGLES: .X ±.030 ±.1° .XX ±.020 HOLE Ø: .XXX ±.010</p> <p>REMOVE ALL BURRS BREAK ALL SHARP EDGES (MAX .005) (DIMENSIONS IN PARENTHESIS ARE SHOWN FOR REFERENCE)</p>	SIGNATURE	DATE	<p>VYNCKIER ENCLOSURE SYSTEMS INC.</p>
		<p>MODIFIED ENCLOSURE VYNCKIER PART# A71-1412HPL2 CUSTOMER DWG#</p>		
<p>THIS DOCUMENT IS THE CONFIDENTIAL AND PROPRIETARY PROPERTY OF VYNCKIER ENCLOSURE SYSTEMS, INC. AND SHALL NOT BE REPRODUCED OR DISCLOSED FOR ANY REASON EXCEPT BY WRITTEN PERMISSION OF VYNCKIER ENCLOSURE SYSTEMS, INC.</p>	<p>FINISH: NONE</p>	<p>SCALE: 1:1</p>	<p>SHEET: 1 OF 1</p>	