

6 5 4 3 2 1

CUSTOMER APPROVAL

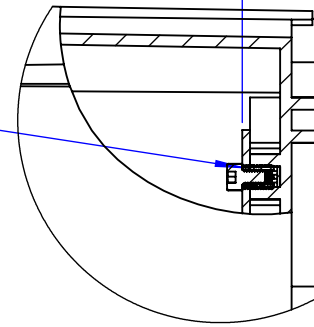
SIGN: _____ DATE: _____

PRINT NAME: _____

REVISIONS							
ZONE	REV	DESCRIPTION	DATE	ENC	BY	CKD	APVD
-	-	-	-	-	-	-	-

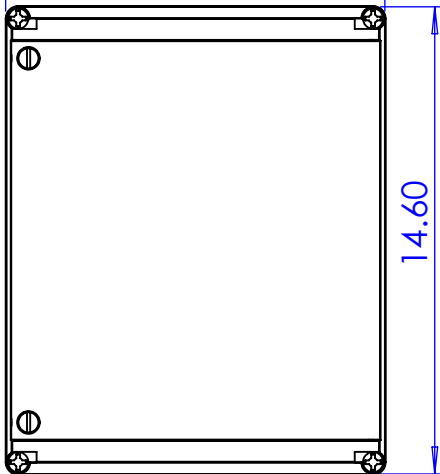
0.83

M4 SCREW



11.85

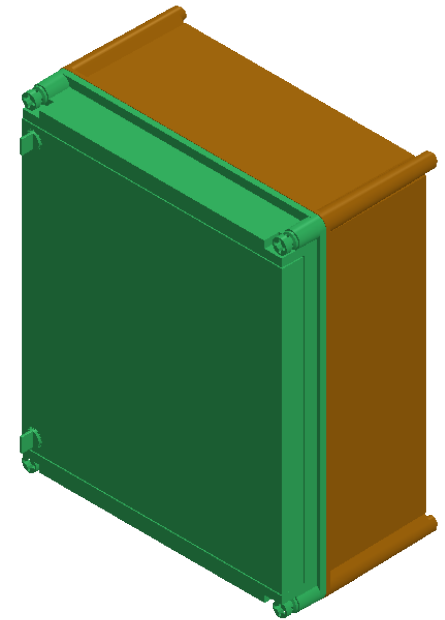
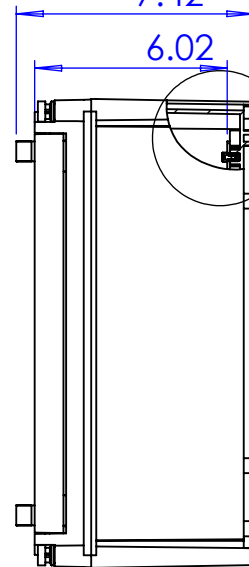
14.60

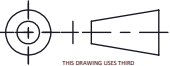



7.42

6.02

K



 <p>THIS DRAWING USES THIRD ANGLE PROJECTION</p>	<p>UNLESS OTHERWISE SPECIFIED: DIMENSIONS ARE IN INCHES TOLERANCES:</p> <p>DECIMALS: ANGLES: .X ± 0.00 ± 1° .XX ± 0.02 HOLE Ø: .XXX ± 0.01</p> <p>REMOVE ALL BURRS BREAK ALL SHARP EDGES (MAX .005) (DIMENSIONS IN PARENTHESIS ARE SHOWN FOR REFERENCE)</p>	SIGNATURE	DATE	 <p>VYNCKIER ENCLOSURE SYSTEMS INC.</p>
		<p>FINISH</p> <p>NONE</p>	<p>10/29/2016</p>	
		SCALE: 1:1	SHEET: 1 OF 1	