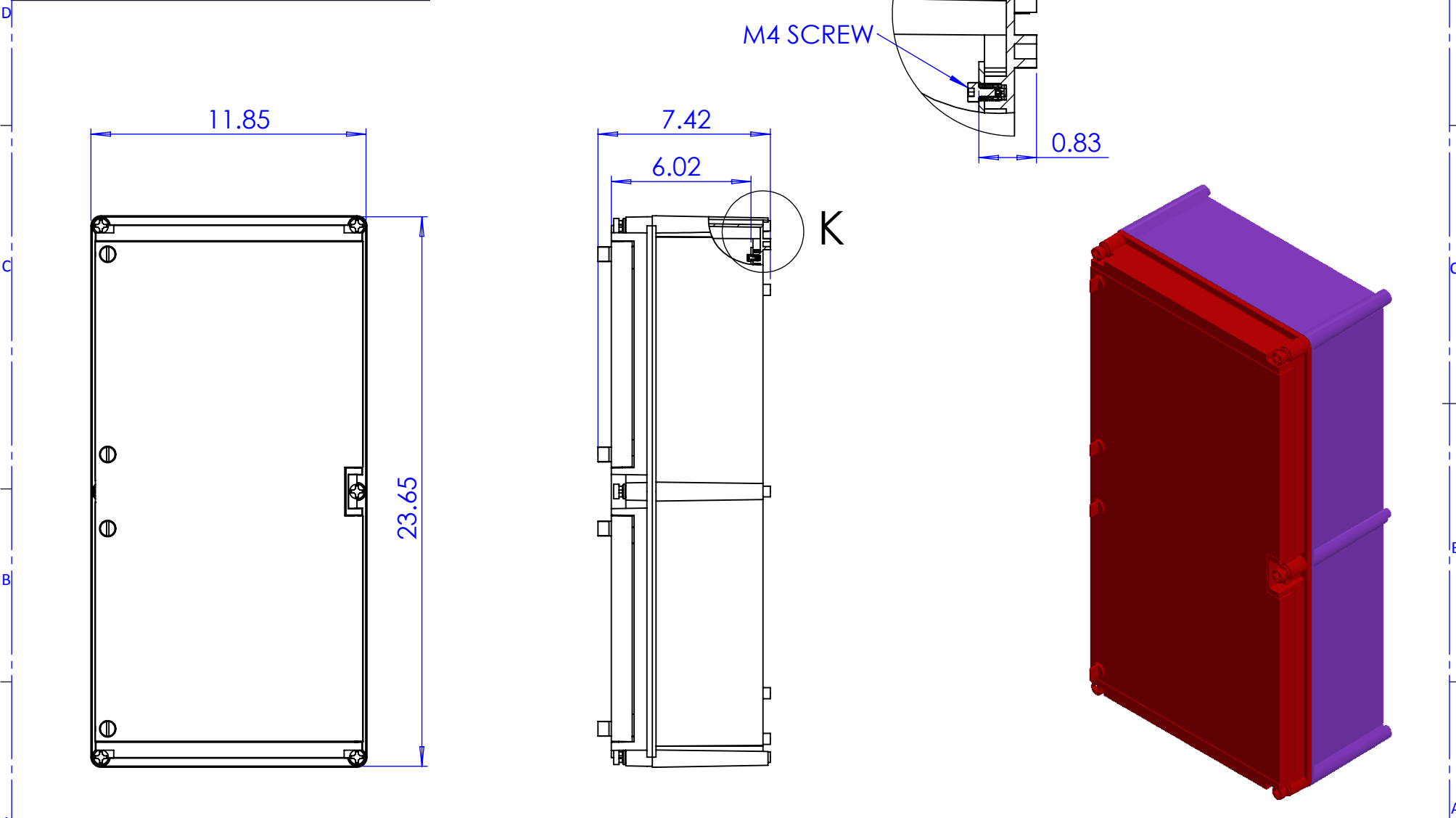


6 5 4 3 2 1

CUSTOMER APPROVAL	
SIGN:	DATE:
PRINT NAME:	

REVISIONS							
ZONE	REV	DESCRIPTION	DATE	ENC	BY	CKD	APVD
-	-	-	-	-	-	-	-



<p>THIS DRAWING USES THIRD ANGLE PROJECTION</p>	<p>UNLESS OTHERWISE SPECIFIED: DIMENSIONS ARE IN INCHES TOLERANCES:</p> <p>DECIMALS: .X ± 0.030 .XX ± 0.020 .XXX ± 0.010</p> <p>ANGLES: ± 1°</p> <p>HOLE Ø: ± 0.010</p> <p>REMOVE ALL BURRS. BREAK ALL SHARP EDGES (MAX .005) (DIMENSIONS IN PARENTHESES ARE SHOWN FOR REFERENCE)</p>	SIGNATURE	DATE	<p>VYNCKIER ENCLOSURE SYSTEMS INC.</p>
		<p>THIS DOCUMENT IS THE CONFIDENTIAL AND PROPRIETARY PROPERTY OF VYNCKIER ENCLOSURE SYSTEMS, INC. AND SHALL NOT BE REPRODUCED OR DISCLOSED FOR ANY REASON EXCEPT BY WRITTEN PERMISSION OF VYNCKIER ENCLOSURE SYSTEMS, INC.</p>	<p>MODIFIED ENCLOSURE VYNCKIER PART# A61-2412DT CUSTOMER DWG#</p>	
FINISH: NONE		SCALE: 1:1		<p>SIZE: A</p> <p>DATE: 10/29/2016</p> <p>SHEET: 1 OF 1</p>