

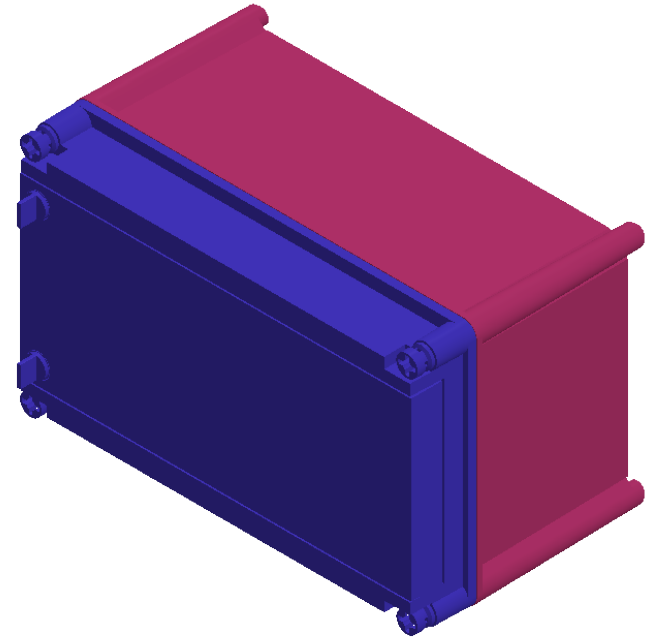
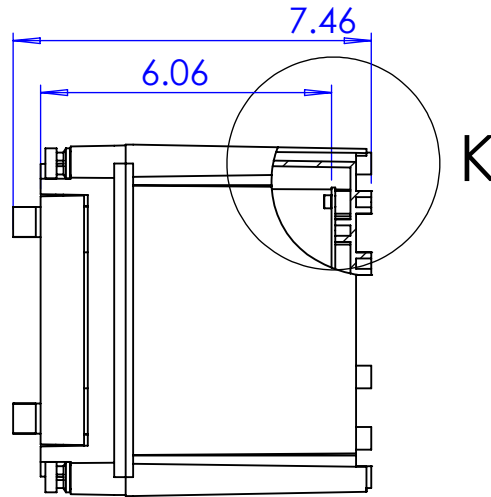
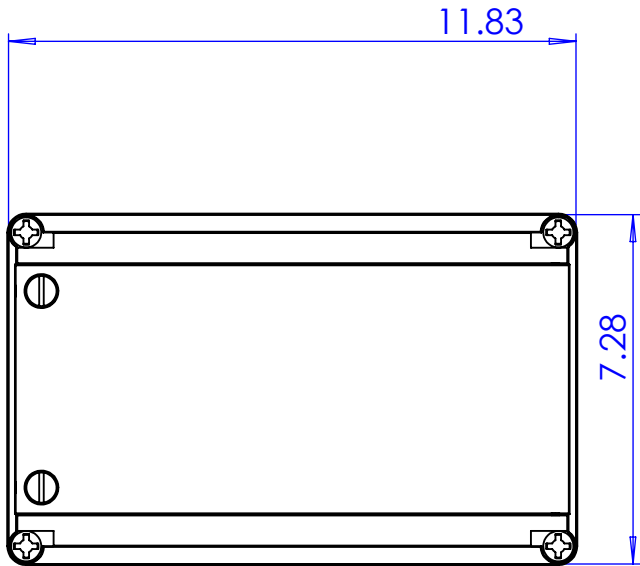
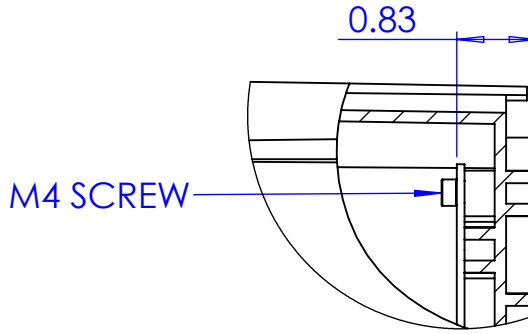
6 5 4 3 2 1

**CUSTOMER APPROVAL**

SIGN: \_\_\_\_\_ DATE: \_\_\_\_\_

PRINT NAME: \_\_\_\_\_

REVISIONS							
ZONE	REV	DESCRIPTION	DATE	ENC	BY	CKD	APVD
-	-	-	-	-	-	-	-



D

C

B

A

<p>THIS DRAWING USES THIRD ANGLE PROJECTION</p>	<p>UNLESS OTHERWISE SPECIFIED: <b>DIMENSIONS ARE IN INCHES</b></p> <p>TOLERANCES:</p> <p>DECIMALS: .010    ANGLES: ± 1°</p> <p>.XX ± .020    HOLE Ø: .010</p> <p>.XXX ± .030</p> <p>REMOVE ALL BURRS BREAK ALL SHARP EDGES (MAX .005) (DIMENSIONS IN PARENTHESIS ARE SHOWN FOR REFERENCE)</p>	SIGNATURE	DATE	<p><b>VYNCKIER ENCLOSURE SYSTEMS INC.</b></p>
		<p>FINISH</p> <p>NONE</p>	<p>10/29/2016</p>	
		SCALE: 1:1		<p>SIZE: A</p> <p>REV: -</p>
			SHEET: 1 OF 1	

6 5 4 3 2 1